

PRODUCT INFORMATION PACKET

marathon[®]
Motors

Model No: 5K49ZN8092

Catalog No: K402

.75 HP General Purpose Motor, 3 phase, 900 RPM, 230/460 V, 145T Frame, ODP
Three Phase ODP Motors



Regal and Marathon are trademarks of Regal Beloit Corporation or one of its affiliated companies.

©2019 Regal Beloit Corporation, All Rights Reserved. MC017097E

REGAL



Nameplate Specifications

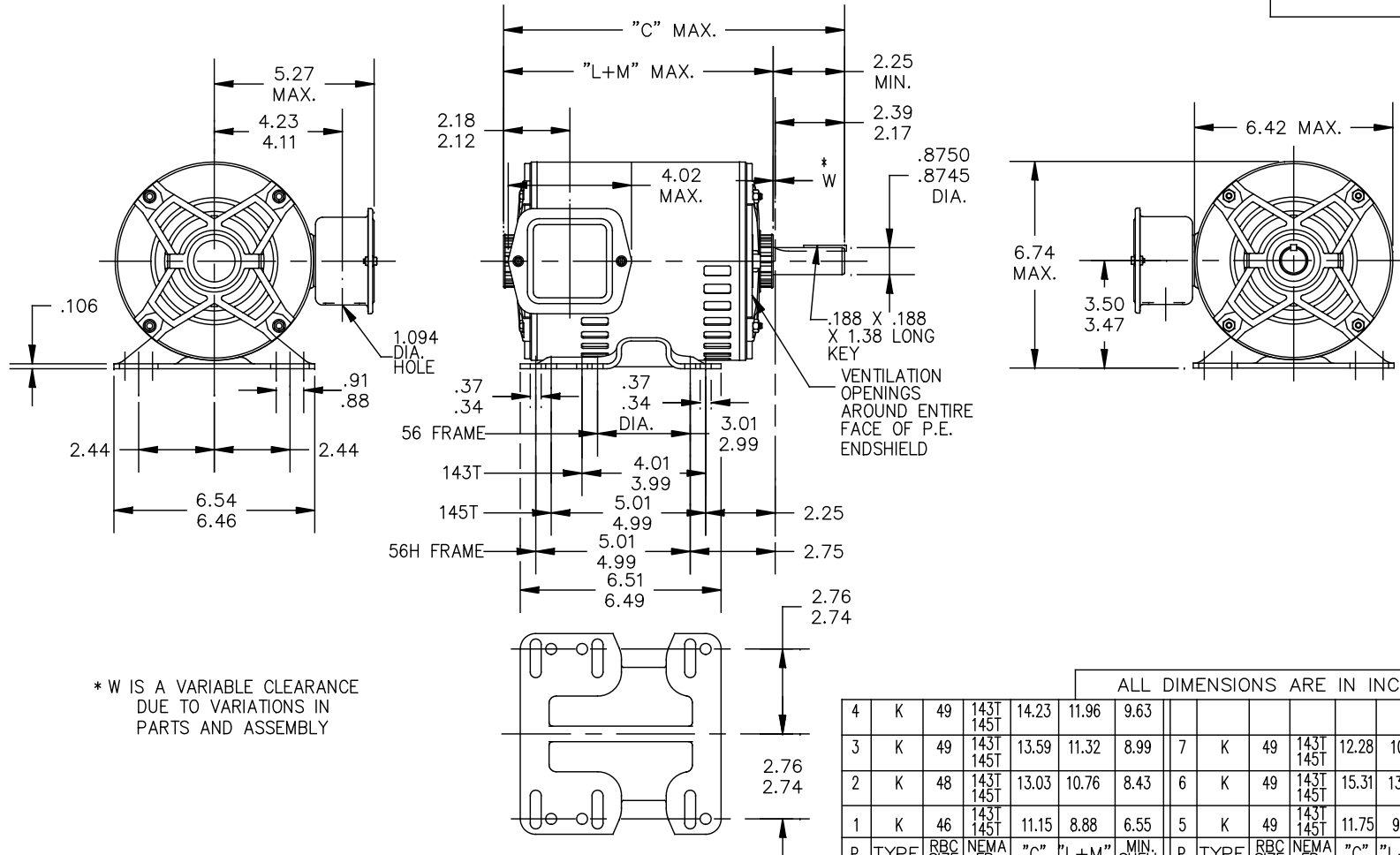
Output HP	.75 Hp	Output KW	.56 kW
Frequency	60 Hz	Voltage	230/460 V
Current	3.4 A	Speed	850 rpm
Service Factor	1.15	Phase	3
Efficiency	72.1 %	Power Factor	0
Duty	CONT	Insulation Class	B
Design Code	B	KVA Code	H
Frame	145T	Enclosure	DP
Thermal Protection	N/R	Ambient Temperature	40 °C
Drive End Bearing Size	6205	Opp Drive End Bearing Size	6203
UL	Recognized	CSA	Y
CE	N		

Technical Specifications

Electrical Type	Three Phase	Starting Method	N/R
Poles	8	Rotation	CCW/CW
Mounting	WB	Motor Orientation	ANY
Drive End Bearing	BALL	Opp Drive End Bearing	BALL
Overall Length	14.23 in	Frame Length	9.63 in
Shaft Extension	.875 X 2.25 .188 X .188 KEY in		

This is an uncontrolled document once printed or downloaded and is subject to change without notice. Date Created:01/11/2019

52A109671



* W IS A VARIABLE CLEARANCE DUE TO VARIATIONS IN PARTS AND ASSEMBLY

ALL DIMENSIONS ARE IN INCHES

P	TYPE	RBC SIZE	NEMA FR.	"C"	"L+M"	MIN. SHELL	P	TYPE	RBC SIZE	NEMA FR.	"C"	"L+M"	MIN. SHELL
4	K	49	143T 145T	14.23	11.96	9.63							
3	K	49	143T 145T	13.59	11.32	8.99	7	K	49	143T 145T	12.28	10.01	7.68
2	K	48	143T 145T	13.03	10.76	8.43	6	K	49	143T 145T	15.31	13.04	10.71
1	K	46	143T 145T	11.15	8.88	6.55	5	K	49	143T 145T	11.75	9.48	7.15

				TOLERANCES UNLESS SPECIFIED		REGAL-BELOIT CORPORATION		DRAWN M.D.P 08/30/94	
				DEC.	INCHES	REGAL-BELOIT CORPORATION		CHK	
				.X	±0.1	REGAL-BELOIT CORPORATION		APPD M.D.P 08/30/94	
C	NO CHANGES. RELEASED.	DS	9/23/16	DS	.XX	±0.02	TITLE		SCALE 1=1
2	REDRAWN IN DRAFT SIGHT NO CHANGES	UD	10/18/12	PKG	.XXX	±0.005	GENERAL PURPOSE MOTOR DRIP PROOF - BALLBEARING - WELDED BASE		REF
1	CHG TO RBC FORMAT PER ISO5-1777	SD	03/23/06		.XXX	±0.0005	MAT'L.		FMF
NO.	REVISION	BY & DATE	CHK	ANG	±1.0	FINISH	PREV		
THIS DRAWING IN DESIGN AND DETAIL IS OUR PROPERTY AND MUST NOT BE USED EXCEPT IN CONNECTION WITH OUR WORK ALL RIGHTS OF DESIGN AND INVENTION ARE RESERVED THIS IS AN ELECTRONICALLY GENERATED DOCUMENT - DO NOT SCALE THIS PRINT				RFP	CAD FILE	52A109671	SIZE	DRAWING NO.	REV.
				DIST			A	52A109671	C

RBC PROPRIETARY AND CONFIDENTIAL INFORMATION
 This document is the property of REGAL-BELOIT CORPORATION ("RBC") including its subsidiaries and divisions and contains proprietary information of RBC. This document is loaned on the express condition that neither the recipient nor any other person shall be permitted to disclose or disseminate the information contained herein and that the recipient shall be held responsible for the return of this document to RBC upon its request. This document shall be restricted to RBC upon its request. This document may be subject to certain restrictions under U.S. export control laws and regulations.

REVISIONS			
REV.	DESCRIPTION	DATE	APPROVED
1	CHG TO RBC FORMAT PER IS05-1777	06/15/06	MADHU
2	RENAMED 113A930-FIG-2 TO 113A930FIG2 PER IS07-0972	05/08/07	MADHU

THIRD ANGLE PROJECTION

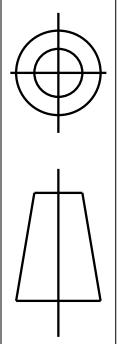
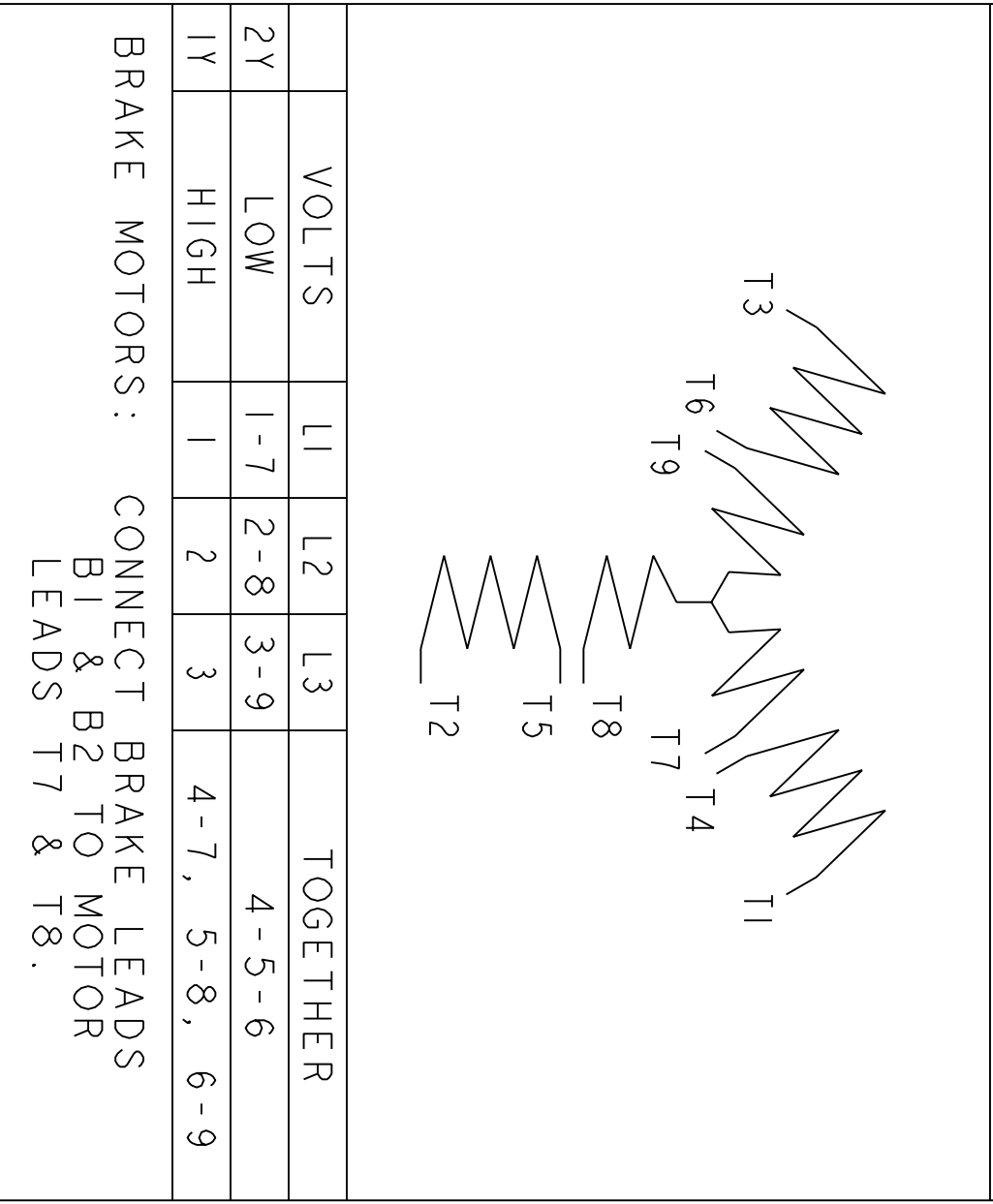


FIG. 2 3 PHASE



FOR ADDITIONAL INFO REFER TO:	SIGNATURES	DATE
APPLIED PRACTICES	M.D. PAPE	02/23/03
DIMENSIONS ARE IN INCHES	DETAIL	
TOLERANCE ON:	CHECKED	
1 PL DECIMALS ± 0.1	ENGRG	
2 PL DECIMALS ± 0.02	MFG	
3 PL DECIMALS ± 0.005	QUALITY	
ANGLES ± 1.0	ISSUED	
FRACTIONS ±	M.D. PAPE	02/23/03
FINISH	SOLID MODEL: 113A930FIG2	

REGAL-BELOIT CORPORATION

REGAL-BELOIT CORPORATION

CONNECTION DIAGRAM

SIZE: DRAWING A

SCALE: 1.000 REF. No.:

113A930FIG2

REV 2

SHEET 1 of 1