

PRODUCT INFORMATION PACKET

marathon[®]
Motors

Model No: 5K49ZN6138S
Catalog No: K1488
2,1140,DP,56Z,3/60/208-230/460
Open Drip Proof (ODP)



Regal and Marathon are trademarks of Regal Beloit Corporation or one of its affiliated companies.
©2018 Regal Beloit Corporation, All Rights Reserved. MC017097E

REGAL[®]



Nameplate Specifications

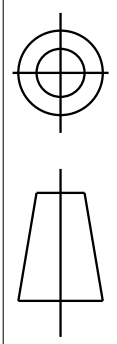
Output HP	2 Hp	Output KW	1.5 kW
Frequency	60 Hz	Voltage	208-230/460 V
Current	7.4-7.4,3.7 A	Speed	1140 rpm
Service Factor	1	Phase	3
Efficiency	81.3 %	Duty	Continous
Insulation Class	F	KVA Code	R
Frame	56Z	Enclosure	Drip Proof
Overload Protector	AUTO	Ambient Temperature	65 °C
Drive End Bearing Size	6203	Opp Drive End Bearing Size	6203
UL	Recognized	CSA	Yes
CE	N		

Technical Specifications

Electrical Type	Three Phase	Starting Method	N/R
Poles	6	Rotation	Counterclockwise/Clockwise
Mounting	Round	Motor Orientation	Vsu
Drive End Bearing	BALL	Opp Drive End Bearing	BALL
Frame Material	Rolled Steel	Overall Length	17.97 in
Frame Length	9.63 in	Shaft Diameter	0.630 in
Shaft Extension	6 in		
Outline Drawing	52A109359P7	Connection Diagram	52A110547

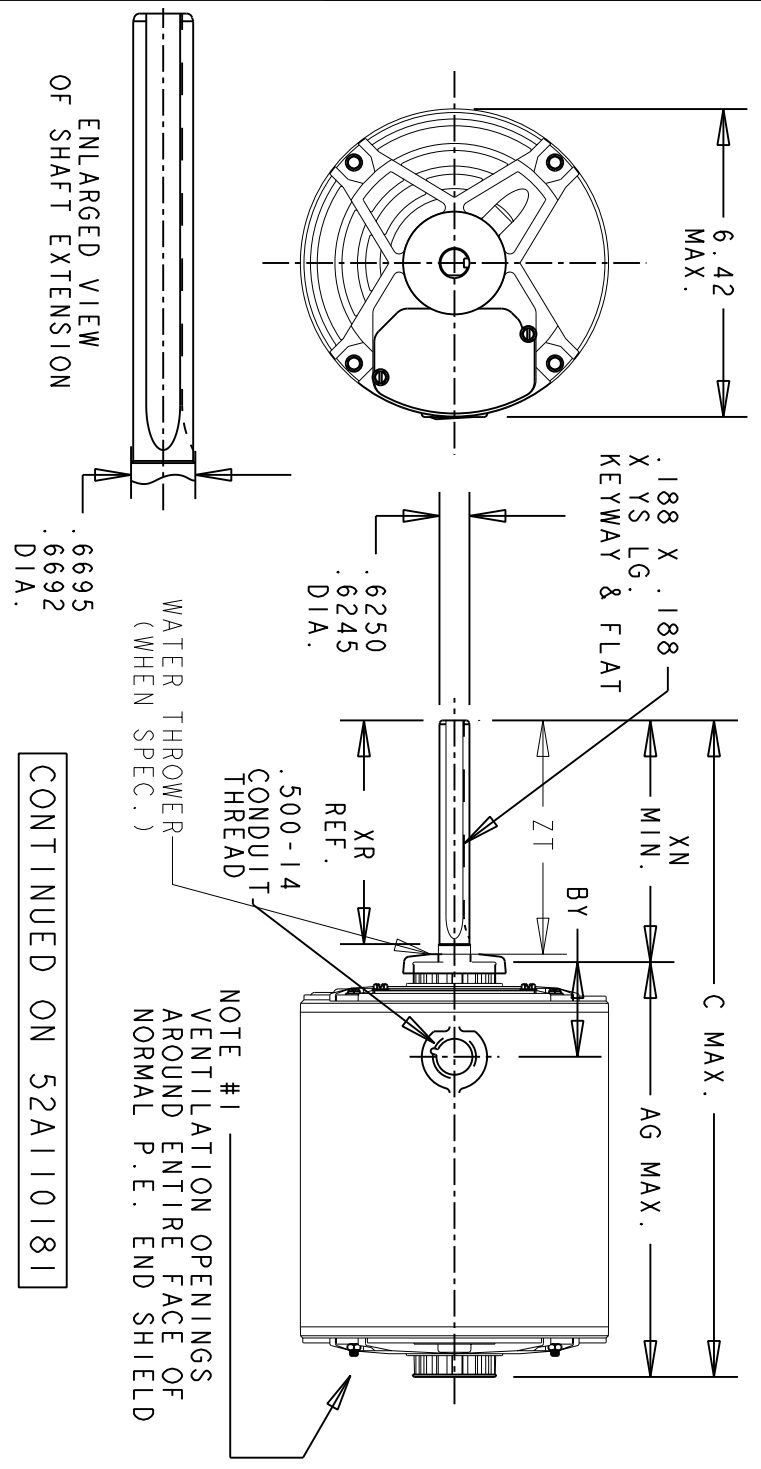
This is an uncontrolled document once printed or downloaded and is subject to change without notice. Date Created: 06/29/2018

THIRD ANGLE PROJECTION



REVISIONS

REV.	DESCRIPTION	DATE	APPROVED
9	AS PER IS03-0583 & 03-0584	03/28/03	MANTRI . U
10	CHG TO RBC FORMAT PER IS05-1777	03/13/06	SUDHA



CONTINUED ON 52A110181

9	K	49	56Z	5.00	16.97	11.85	NOTE #1	9.63	2.07/1.95	4.74	3.00	4.77
8	K	49 <td>56Z</td> <td>4.00 <td>14.02 <td>9.90 <td>NOTE #1 <td>7.68</td> <td>2.07/1.95 <td>3.74</td> <td>2.00 <td></td> </td></td></td></td></td></td>	56Z	4.00 <td>14.02 <td>9.90 <td>NOTE #1 <td>7.68</td> <td>2.07/1.95 <td>3.74</td> <td>2.00 <td></td> </td></td></td></td></td>	14.02 <td>9.90 <td>NOTE #1 <td>7.68</td> <td>2.07/1.95 <td>3.74</td> <td>2.00 <td></td> </td></td></td></td>	9.90 <td>NOTE #1 <td>7.68</td> <td>2.07/1.95 <td>3.74</td> <td>2.00 <td></td> </td></td></td>	NOTE #1 <td>7.68</td> <td>2.07/1.95 <td>3.74</td> <td>2.00 <td></td> </td></td>	7.68	2.07/1.95 <td>3.74</td> <td>2.00 <td></td> </td>	3.74	2.00 <td></td>	
7	K	49 <td>56Z</td> <td>6.00 <td>17.97 <td>11.85 <td>NOTE #1 <td>9.63</td> <td>2.07/1.95 <td>5.74</td> <td>4.00 <td></td> </td></td></td></td></td></td>	56Z	6.00 <td>17.97 <td>11.85 <td>NOTE #1 <td>9.63</td> <td>2.07/1.95 <td>5.74</td> <td>4.00 <td></td> </td></td></td></td></td>	17.97 <td>11.85 <td>NOTE #1 <td>9.63</td> <td>2.07/1.95 <td>5.74</td> <td>4.00 <td></td> </td></td></td></td>	11.85 <td>NOTE #1 <td>9.63</td> <td>2.07/1.95 <td>5.74</td> <td>4.00 <td></td> </td></td></td>	NOTE #1 <td>9.63</td> <td>2.07/1.95 <td>5.74</td> <td>4.00 <td></td> </td></td>	9.63	2.07/1.95 <td>5.74</td> <td>4.00 <td></td> </td>	5.74	4.00 <td></td>	
6	K	48 <td>56Z</td> <td>6.00 <td>16.77 <td>10.65 <td>NOTE #1 <td>8.43</td> <td>2.07/1.95 <td>5.74</td> <td>4.00 <td></td> </td></td></td></td></td></td>	56Z	6.00 <td>16.77 <td>10.65 <td>NOTE #1 <td>8.43</td> <td>2.07/1.95 <td>5.74</td> <td>4.00 <td></td> </td></td></td></td></td>	16.77 <td>10.65 <td>NOTE #1 <td>8.43</td> <td>2.07/1.95 <td>5.74</td> <td>4.00 <td></td> </td></td></td></td>	10.65 <td>NOTE #1 <td>8.43</td> <td>2.07/1.95 <td>5.74</td> <td>4.00 <td></td> </td></td></td>	NOTE #1 <td>8.43</td> <td>2.07/1.95 <td>5.74</td> <td>4.00 <td></td> </td></td>	8.43	2.07/1.95 <td>5.74</td> <td>4.00 <td></td> </td>	5.74	4.00 <td></td>	
5	K	49 <td>56Z</td> <td>6.00 <td>14.89 <td>8.77 <td>NOTE #1 <td>6.55</td> <td>2.07/1.95 <td>5.74</td> <td>4.00 <td></td> </td></td></td></td></td></td>	56Z	6.00 <td>14.89 <td>8.77 <td>NOTE #1 <td>6.55</td> <td>2.07/1.95 <td>5.74</td> <td>4.00 <td></td> </td></td></td></td></td>	14.89 <td>8.77 <td>NOTE #1 <td>6.55</td> <td>2.07/1.95 <td>5.74</td> <td>4.00 <td></td> </td></td></td></td>	8.77 <td>NOTE #1 <td>6.55</td> <td>2.07/1.95 <td>5.74</td> <td>4.00 <td></td> </td></td></td>	NOTE #1 <td>6.55</td> <td>2.07/1.95 <td>5.74</td> <td>4.00 <td></td> </td></td>	6.55	2.07/1.95 <td>5.74</td> <td>4.00 <td></td> </td>	5.74	4.00 <td></td>	
4	K	49 <td>56Z</td> <td>6.00 <td>16.02 <td>9.90 <td>NOTE #1 <td>7.68</td> <td>2.07/1.95 <td>5.74</td> <td>4.00 <td>5.77</td> </td></td></td></td></td></td>	56Z	6.00 <td>16.02 <td>9.90 <td>NOTE #1 <td>7.68</td> <td>2.07/1.95 <td>5.74</td> <td>4.00 <td>5.77</td> </td></td></td></td></td>	16.02 <td>9.90 <td>NOTE #1 <td>7.68</td> <td>2.07/1.95 <td>5.74</td> <td>4.00 <td>5.77</td> </td></td></td></td>	9.90 <td>NOTE #1 <td>7.68</td> <td>2.07/1.95 <td>5.74</td> <td>4.00 <td>5.77</td> </td></td></td>	NOTE #1 <td>7.68</td> <td>2.07/1.95 <td>5.74</td> <td>4.00 <td>5.77</td> </td></td>	7.68	2.07/1.95 <td>5.74</td> <td>4.00 <td>5.77</td> </td>	5.74	4.00 <td>5.77</td>	5.77
3	K	48 <td>56Z</td> <td>6.00 <td>16.77 <td>10.65 <td>NOTE #1 <td>8.43</td> <td>2.07/1.95 <td>4.66</td> <td>4.00 <td>5.73</td> </td></td></td></td></td></td>	56Z	6.00 <td>16.77 <td>10.65 <td>NOTE #1 <td>8.43</td> <td>2.07/1.95 <td>4.66</td> <td>4.00 <td>5.73</td> </td></td></td></td></td>	16.77 <td>10.65 <td>NOTE #1 <td>8.43</td> <td>2.07/1.95 <td>4.66</td> <td>4.00 <td>5.73</td> </td></td></td></td>	10.65 <td>NOTE #1 <td>8.43</td> <td>2.07/1.95 <td>4.66</td> <td>4.00 <td>5.73</td> </td></td></td>	NOTE #1 <td>8.43</td> <td>2.07/1.95 <td>4.66</td> <td>4.00 <td>5.73</td> </td></td>	8.43	2.07/1.95 <td>4.66</td> <td>4.00 <td>5.73</td> </td>	4.66	4.00 <td>5.73</td>	5.73
2	K	49 <td>56Z</td> <td>6.00 <td>16.02 <td>9.90 <td>NOTE #1 <td>7.68</td> <td>2.07/1.95 <td>4.66</td> <td>4.00 <td></td> </td></td></td></td></td></td>	56Z	6.00 <td>16.02 <td>9.90 <td>NOTE #1 <td>7.68</td> <td>2.07/1.95 <td>4.66</td> <td>4.00 <td></td> </td></td></td></td></td>	16.02 <td>9.90 <td>NOTE #1 <td>7.68</td> <td>2.07/1.95 <td>4.66</td> <td>4.00 <td></td> </td></td></td></td>	9.90 <td>NOTE #1 <td>7.68</td> <td>2.07/1.95 <td>4.66</td> <td>4.00 <td></td> </td></td></td>	NOTE #1 <td>7.68</td> <td>2.07/1.95 <td>4.66</td> <td>4.00 <td></td> </td></td>	7.68	2.07/1.95 <td>4.66</td> <td>4.00 <td></td> </td>	4.66	4.00 <td></td>	
1	K	46 <td>56Z</td> <td>6.00 <td>14.89 <td>8.77 <td>NOTE #1 <td>6.55</td> <td>2.07/1.95 <td>4.66</td> <td>4.00 <td></td> </td></td></td></td></td></td>	56Z	6.00 <td>14.89 <td>8.77 <td>NOTE #1 <td>6.55</td> <td>2.07/1.95 <td>4.66</td> <td>4.00 <td></td> </td></td></td></td></td>	14.89 <td>8.77 <td>NOTE #1 <td>6.55</td> <td>2.07/1.95 <td>4.66</td> <td>4.00 <td></td> </td></td></td></td>	8.77 <td>NOTE #1 <td>6.55</td> <td>2.07/1.95 <td>4.66</td> <td>4.00 <td></td> </td></td></td>	NOTE #1 <td>6.55</td> <td>2.07/1.95 <td>4.66</td> <td>4.00 <td></td> </td></td>	6.55	2.07/1.95 <td>4.66</td> <td>4.00 <td></td> </td>	4.66	4.00 <td></td>	
P	TYPE	GE SIZE	NEMA FR	XN	C	AG	REMARKS	SHELL LG.	BY	XR	YS	ZT

SIGNATURES		DATE
MODEL	M.D. PAPER	11/05/93
DETAIL		
CHECKED		
ENGRG		
MFG		
QUALITY		
ISSUED	M.D. PAPER	11/05/93
SOLID MODEL: 52A109359		

REGAL-BELOIT CORPORATION

OUTLINE

40 FR. REDESIGN - OUTDOOR CONDENSOR -

TENV (SEL. DRIP PROOF (PE) - BALL BEARING FWF: 5K46LN60325

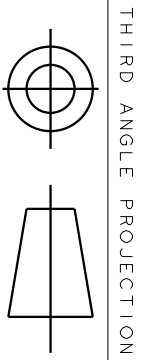
SCALE: 0.250 REF. No.: .

SIZE: DRAWING A

52A109359

REV 10

SHEET 1 of 1

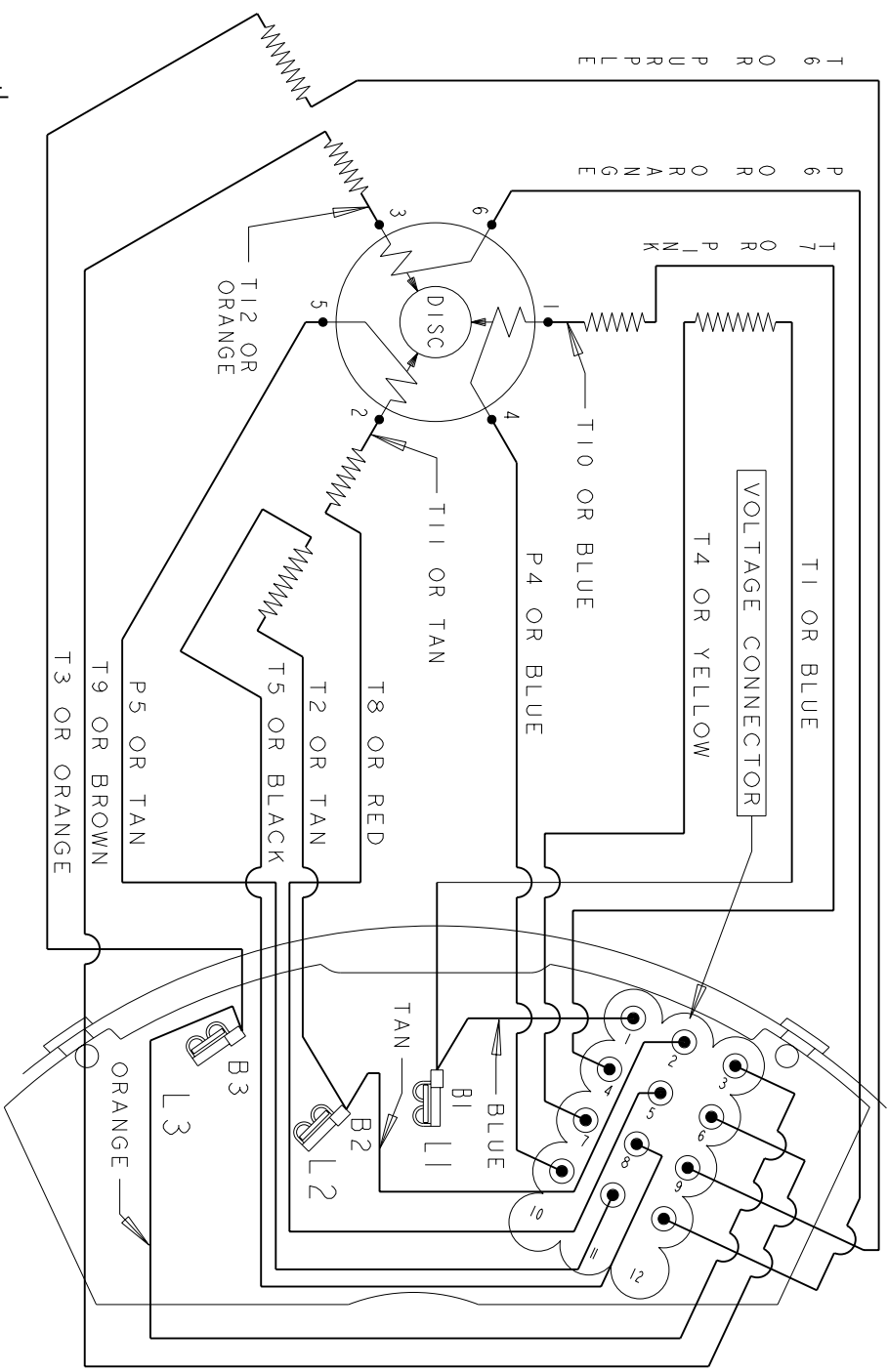


THIRD ANGLE PROJECTION

REVISIONS

REV.	DESCRIPTION	DATE	APPROVED
2	UPDATED TO RBC FORMAT	01/17/06	MAM

TYPE K - DUAL VOLTAGE - THREE PHASE THERMAL PROTECTION - VOLTAGE CONNECTION DEVICE



GROUND (WHEN REQ'D.)

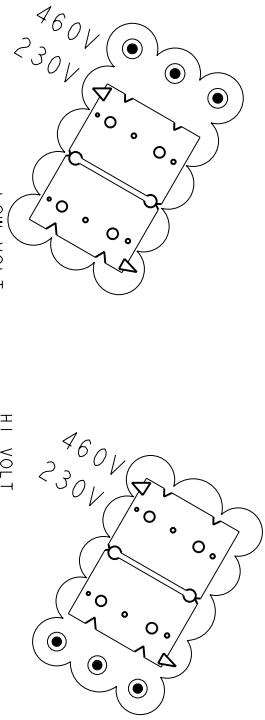
NOTE #1 - TO REVERSE ROTATION, INTERCHANGE ANY TWO LINE CONNECTIONS TO L1, L2, OR L3.

BOTTOM VIEW OF TERMINAL BOARD

CONNECTIONS MADE BY PLUG

LOW = 1 TO 4, 7 TO 10, 2 TO 5, 8 TO 11, 3 TO 6, 8 9 TO 12
 HI = 4 TO 7, 5 TO 8, 8 6 TO 9

CONNECTION LABEL - 52X333311



TOP VIEW VOLTAGE CONNECTOR

SIGNATURES	DATE
MODEL N. MANGESH	12/12/01
DETAIL	
CHECKED TAYLEN L.	12/15/01
ENGRG	
FOR ADDITIONAL INFO REFER TO:	
APPLIED PRACTICES	QUALITY
DIMENSIONS ARE IN INCHES	ISSUED TAYLEN L.
	MATERIAL SOLID MODEL: 52A110547



REGAL-BELOIT CORPORATION

CONNECTION DIAGRAM

FME: TYPE K - VOLTAGE CHANGE DEVICE - DUAL VOLTAGE

TITLE	SIZE	SCALE	REF. No.	SHEET
	DRAWING A	1.000		1 of 1
REV	52A110547			
	2			