

PRODUCT INFORMATION PACKET

marathon[®]
Motors

Model No: 5K49UN8052
Catalog No: KG319
2,1425,DP,145T,3,/50/220/380
Other Purpose



Regal and Marathon are trademarks of Regal Beloit Corporation or one of its affiliated companies.
©2018 Regal Beloit Corporation, All Rights Reserved. MC017097E

REGAL

Product Information Packet: Model No: 5K49UN8052, Catalog No:KG319 2,1425,DP,145T,3,/50/220/380

Nameplate Specifications

Output HP	2 Hp	Output KW	1.5 kW
Frequency	50 Hz	Voltage	220/380 V
Current	6.4,3.7 A	Speed	1425 rpm
Service Factor	1.15	Phase	3
Efficiency	81.5 %	Duty	Continuous
Insulation Class	B	Design Code	B
KVA Code	G	Frame	145T
Enclosure	Drip Proof	Overload Protector	N/R
Ambient Temperature	40 °C	Drive End Bearing Size	6205
Opp Drive End Bearing Size	6203	UL	Recognized
CSA	Yes	CE	N

Technical Specifications

Electrical Type	Three Phase	Starting Method	N/R
Poles	4	Rotation	Counterclockwise/Clockwise
Mounting	Rigid Base	Motor Orientation	ANY
Drive End Bearing	BALL	Opp Drive End Bearing	BALL
Frame Material	Rolled Steel	Overall Length	14.23 in
Frame Length	9.63 in	Shaft Diameter	0.88 in
Shaft Extension	2.25 in		
Outline Drawing	52A107890P1	Connection Diagram	113A930FIG3

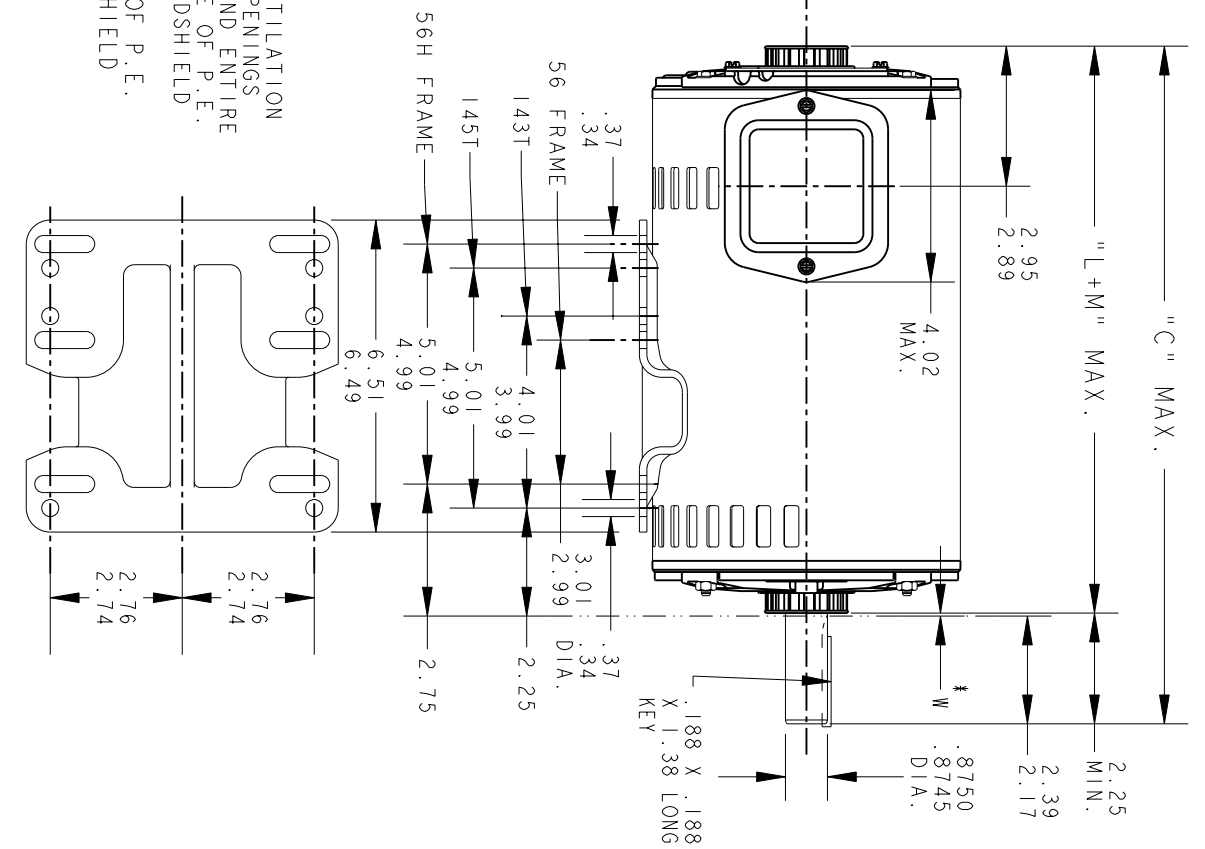
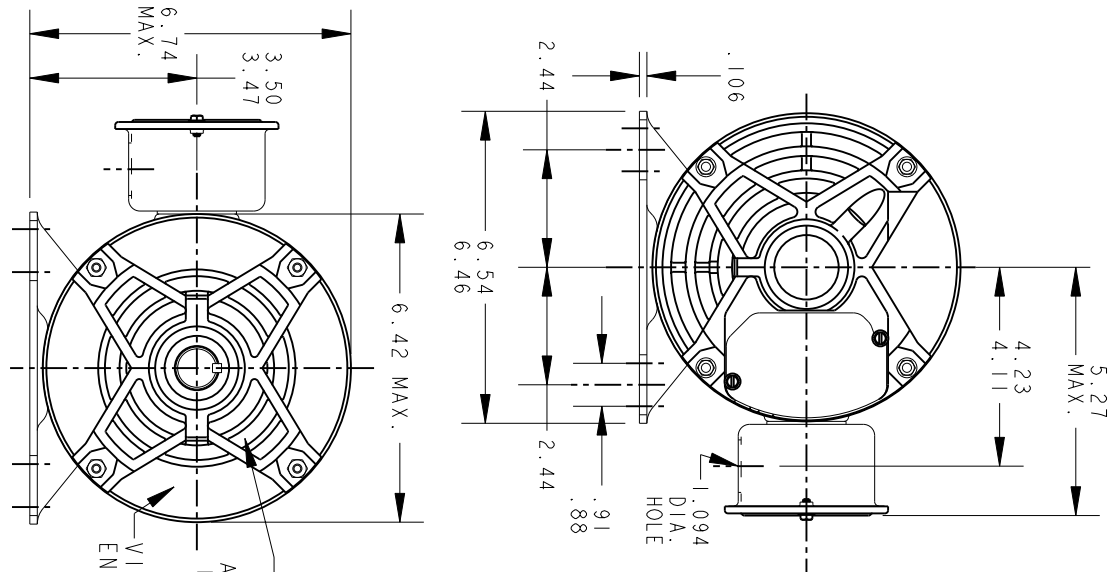
This is an uncontrolled document once printed or downloaded and is subject to change without notice. Date Created: 10/08/2018

THIRD ANGLE PROJECTION



* W IS A VARIABLE CLEARANCE DUE TO VARIATIONS IN PARTS AND ASSEMBLY

REVISIONS		DATE	APPROVED
REV. 1	DESCRIPTION ADDED PART #2.	05/06/94	M. D. PAPE
REV. 2	CHG TO RBC FORMAT PER ISO5-11777	03/08/06	SUDHA



ALL DIMENSIONS ARE IN INCHES

2	K	49	143T	13.59	11.32	8.99
1	K <td>49 <th>143T</th> <td>14.23</td> <td>11.96</td> <td>9.63</td> </td>	49 <th>143T</th> <td>14.23</td> <td>11.96</td> <td>9.63</td>	143T	14.23	11.96	9.63
P	TYPE <td>GE <td>NEMA</td> <td>"C"</td> <td>"L+M"</td> <td>MIN. SHELL</td> </td>	GE <td>NEMA</td> <td>"C"</td> <td>"L+M"</td> <td>MIN. SHELL</td>	NEMA	"C"	"L+M"	MIN. SHELL
	SIZE <td>FR. <td></td> <td></td> <td></td> <td></td> </td>	FR. <td></td> <td></td> <td></td> <td></td>				

SIGNATURES		DATE
MODEL	MA MARKS	02/01/94
DETAIL		
CHECKED		
ENGRG		
MFG		
QUALITY		
ISSUED	M.A.M.	02/01/94
SOLID MODEL: 52A107890		



REGAL-BELOTT CORPORATION

TITLE
GENERAL PURPOSE MOTOR DP - BALL BRG.

WELD BASE FMF: 40 FRAME REDESIGN (5K49UN8051)

52A107890

SCALE: 0.250 REF. No.: SHEET 1 of 1

This document is the property of REGAL-BELOIT CORPORATION ("RBC") including its subsidiaries and divisions and contains proprietary information of RBC. This document is loaned on the express condition that neither the recipient nor any other person shall be permitted to disclose or disseminate the information contained herein without the express written consent of RBC. This document shall be returned to RBC upon its request. This document may be subject to certain restrictions under U.S. export control laws and regulations.

REV.	DESCRIPTION	DATE	APPROVED
1	CHG TO RBC FORMAT PER IS05-1777	06/15/06	MADHU
2	RENAMED 113A930_FIG-3 TO 113A930FIG3 PER IS07-0972	05/08/07	MADHU

THIRD ANGLE PROJECTION

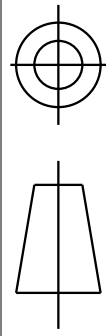
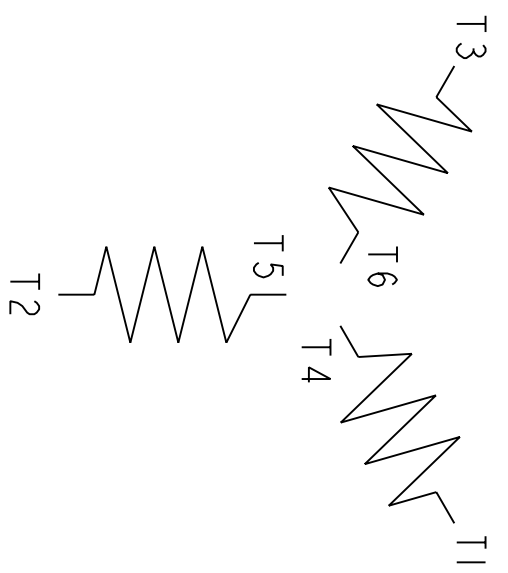


FIG. 3

3 PHASE



VOLTS	L1	L2	L3	TOGETHER
1Δ	LOW	1-6	2-4	3-5
1Y	HIGH	1	2	3
				4-5-6

BRAKE MOTORS : CONNECT BRAKE LEADS B1 & B2 TO MOTOR LEADS T1 & T4.

FOR ADDITIONAL INFO REFER TO:	SIGNATURES	DATE
APPLIED PRACTICES	MODEL M.D. PAPE	02/25/03
DIMENSIONS ARE IN INCHES	DETAIL	
TOLERANCE ON:	CHECKED	
1 PL DECIMALS ± 0.1	ENGRG	
2 PL DECIMALS ± 0.02	MFG	
3 PL DECIMALS ± 0.005	QUALITY	
ANGLES ± 1.0	ISSUED	M.D. PAPE 02/25/03
FINISH	QUALITY	
MATERIAL	SOLID MODEL: 113A930F163	



REGAL-BELOIT CORPORATION

TITLE
CONNECTION DIAGRAM

SIZE DRAWING	A	SCALE: 1.000	REF. No.:	SHEET 1 of 1
REV	2	113A930FIG3		