

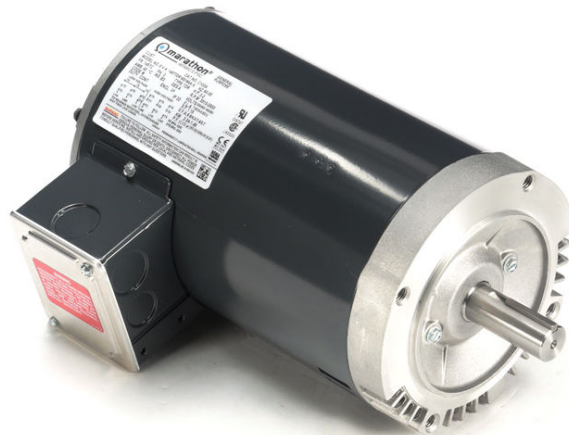
PRODUCT INFORMATION PACKET

marathon®
Motors

Model No: 5K49PN8020

Catalog No: K1301

.75 HP General Purpose Motor, 3 phase, 1200 RPM, 208-230/460 V, 143TC Frame, ODP
Three Phase ODP Motors



Regal and Marathon are trademarks of Regal Beloit Corporation or one of its affiliated companies.
©2019 Regal Beloit Corporation, All Rights Reserved. MC017097E

REGAL

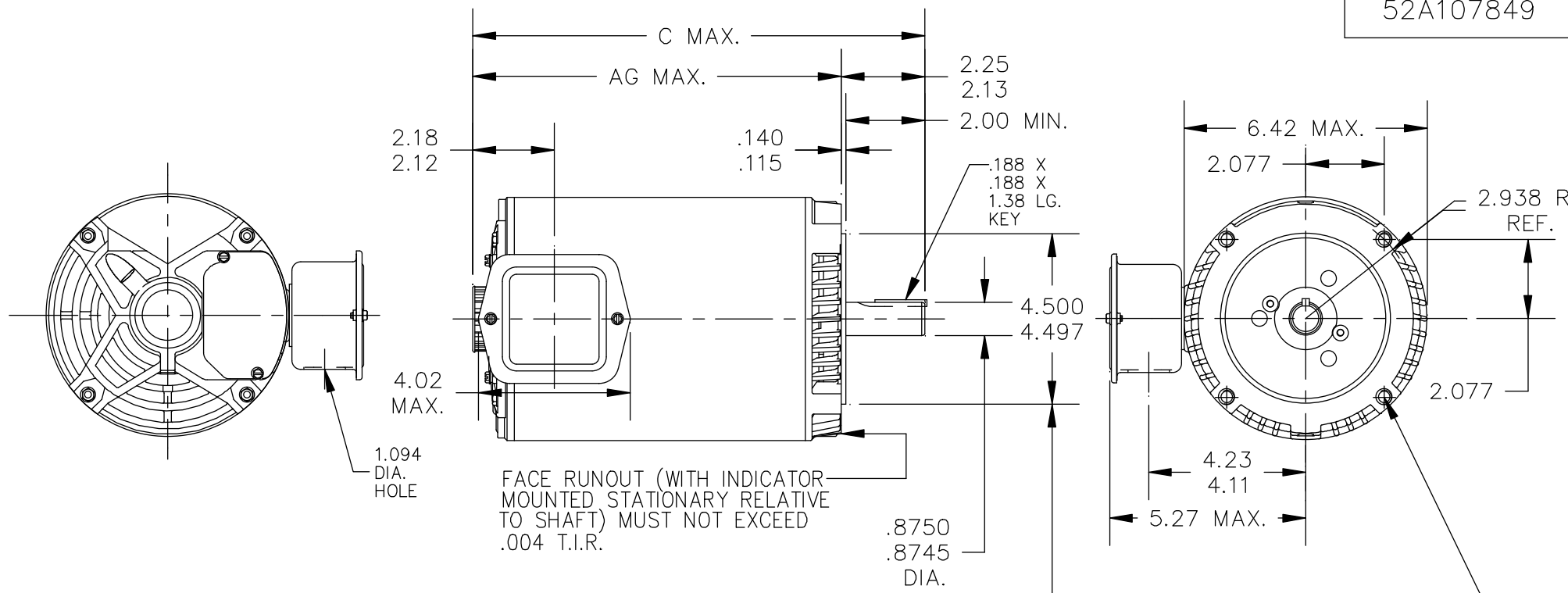
Nameplate Specifications

Output HP	.75 Hp	Output KW	.56 kW
Frequency	60 Hz	Voltage	208-230/460 V
Current	2.9-2.8 A	Speed	1140 rpm
Service Factor	1.15	Phase	3
Efficiency	0 %	Power Factor	0
Duty	CONT	Insulation Class	B
Design Code	B	KVA Code	K
Frame	143TC	Enclosure	DP
Thermal Protection	N/R	Ambient Temperature	40 °C
Drive End Bearing Size	6205	Opp Drive End Bearing Size	6203
UL	Recognized	CSA	Y
CE	N		

Technical Specifications

Electrical Type	Three Phase	Starting Method	N/R
Poles	6	Rotation	CCW/CW
Mounting	N/R	Motor Orientation	ANY
Drive End Bearing	LOCKED	Opp Drive End Bearing	BALL
Overall Length	11.5 in	Frame Length	7.15 in
Shaft Extension	.875 X 2.00 - .188 X .188 KEY in		

This is an uncontrolled document once printed or downloaded and is subject to change without notice. Date Created:01/11/2019



FACE RUNOUT (WITH INDICATOR MOUNTED STATIONARY RELATIVE TO SHAFT) MUST NOT EXCEED .004 T.I.R.

ECCENTRICITY OF THIS SURFACE (WITH INDICATOR MOUNTED STATIONARY RELATIVE TO SHAFT) MUST NOT EXCEED .004 T.I.R.

.375-16 UNC-2B (4 HOLES) .70 MIN FULL THREAD. THESE HOLES FIT A GAGE HAVING A RABBET 4.5005 DIA. AND 4 PINS .2917 DIA. LOCATED ON THE BASIC HOLE POSITIONS.

4	K	49	143TC 145TC	13.34	11.10	8.99
3	K	48	143TC 145TC	12.78	10.54	8.43
2	K	49	143TC 145TC	11.50	9.26	7.15
1	K	46	143TC 145TC	10.90	8.66	6.55
P	TYPE	RBC SIZE	NEMA FR	C	AG	MIN. SHELL

				TOLERANCES UNLESS SPECIFIED		REGAL-BELOIT CORPORATION		DRAWN B.J 06/09/93		
				DEC.	INCHES			CHK		
				.X	±0.1			APPD B.L.J. 06/09/93		
3	REDRAWN IN DRAFT SIGHT - NO CHANGES.	GR	10/16/12	PKG	.XX	±0.02	TITLE OUTLINE DRIP PROOF- R2 END MOUNTED MAT'L. 40 FR. REDESIGN		SCALE 1=1	
2	CHG TO RBC FORMAT PER ISO5-1777	SD	03/07/06		.XXX	±0.005			REF	
1	ADDED P4	MAM	07/27/93		.XXXX	±0.0005			FMF	
NO.	REVISION	BY & DATE	CHK	ANG	±1.0	FINISH	PREV			
THIS DRAWING IN DESIGN AND DETAIL IS OUR PROPERTY AND MUST NOT BE USED EXCEPT IN CONNECTION WITH OUR WORK ALL RIGHTS OF DESIGN AND INVENTION ARE RESERVED THIS IS AN ELECTRONICALLY GENERATED DOCUMENT - DO NOT SCALE THIS PRINT				RFP	CAD FILE 52A107849		SIZE	DRAWING NO.		REV.
				DIST			A	52A107849		3

RBC PROPRIETARY AND CONFIDENTIAL INFORMATION
 This document is the property of REGAL-BELOIT CORPORATION ("RBC") including its subsidiaries and divisions and contains proprietary information of RBC. This document is loaned on the express condition that neither the recipient nor any other person shall be permitted to disclose or disseminate the contents of this document to any other person without the prior written consent of RBC. This document shall be returned to RBC upon its request. This document may be subject to certain restrictions under U.S. export control laws and regulations.

REVISIONS			
REV.	DESCRIPTION	DATE	APPROVED
1	CHG TO RBC FORMAT PER IS05-1777	06/15/06	MADHU
2	RENAMED 113A930-FIG-2 TO 113A930FIG2 PER IS07-0972	05/08/07	MADHU

THIRD ANGLE PROJECTION

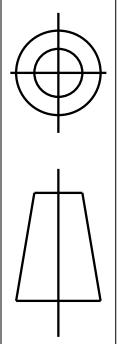
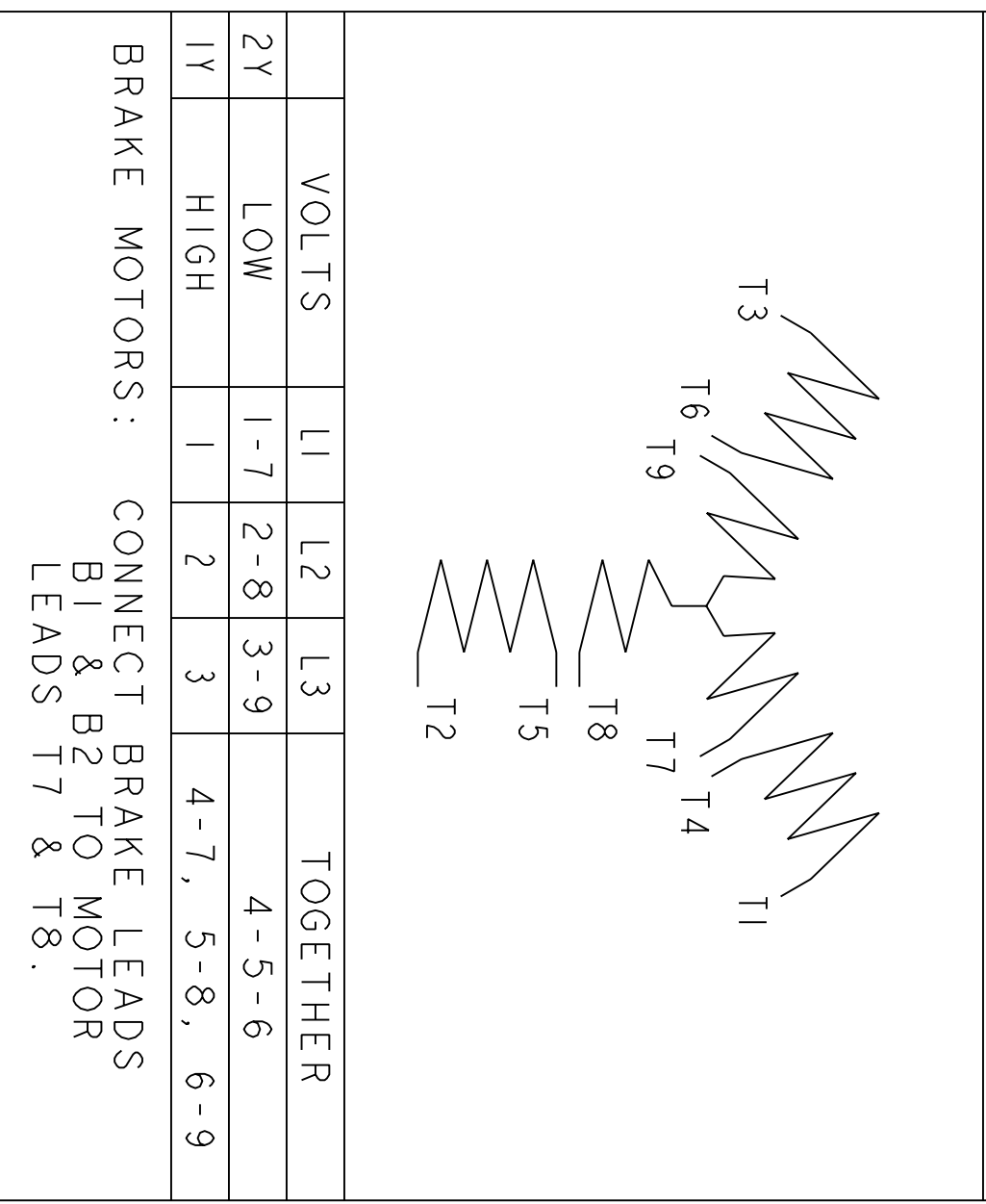


FIG. 2
3 PHASE



	L1	L2	L3	TOGETHER
VOLTS	11	12	13	
2Y	1-7	2-8	3-9	4-5-6
1Y	1	2	3	4-7, 5-8, 6-9

BRAKE MOTORS: CONNECT BRAKE LEADS B1 & B2 TO MOTOR LEADS T7 & T8.

FOR ADDITIONAL INFO REFER TO:		SIGNATURES		DATE
APPLIED PRACTICES	MODEL	M.D. PAPER	02/25/03	
DIMENSIONS ARE IN INCHES				
TOLERANCE ON:				
1 PL DECIMALS ± 0.1				
2 PL DECIMALS ± 0.02				
3 PL DECIMALS ± 0.005				
ANGLES ± 1.0				
FRACTIONS ±				
FINISH	ISSUED	M.D. PAPER	02/25/03	
MATERIAL	SOLID MODEL: 113A930FIG2			
<p>REGAL-BELOIT CORPORATION</p>		TITLE		
		CONNECTION DIAGRAM		
SIZE DRAWING		SCALE: 1.000 REF. No.:		
A		113A930FIG2		
		REV 2		
		SHEET 1 of 1		