

# PRODUCT INFORMATION PACKET

**marathon**<sup>®</sup>  
Motors

Model No: 5K49MN6126T  
Catalog No: K1487  
1/3,1140/950,TENV,56,3/60/200-230/460  
Three Phase



Regal and Marathon are trademarks of Regal Beloit Corporation or one of its affiliated companies.

©2018 Regal Beloit Corporation, All Rights Reserved. MC017097E

**REGAL**<sup>®</sup>

**Product Information Packet: Model No: 5K49MN6126T, Catalog No:K1487 1/3,1140/950,TENV,56,3/60/200-230/460**

**Nameplate Specifications**

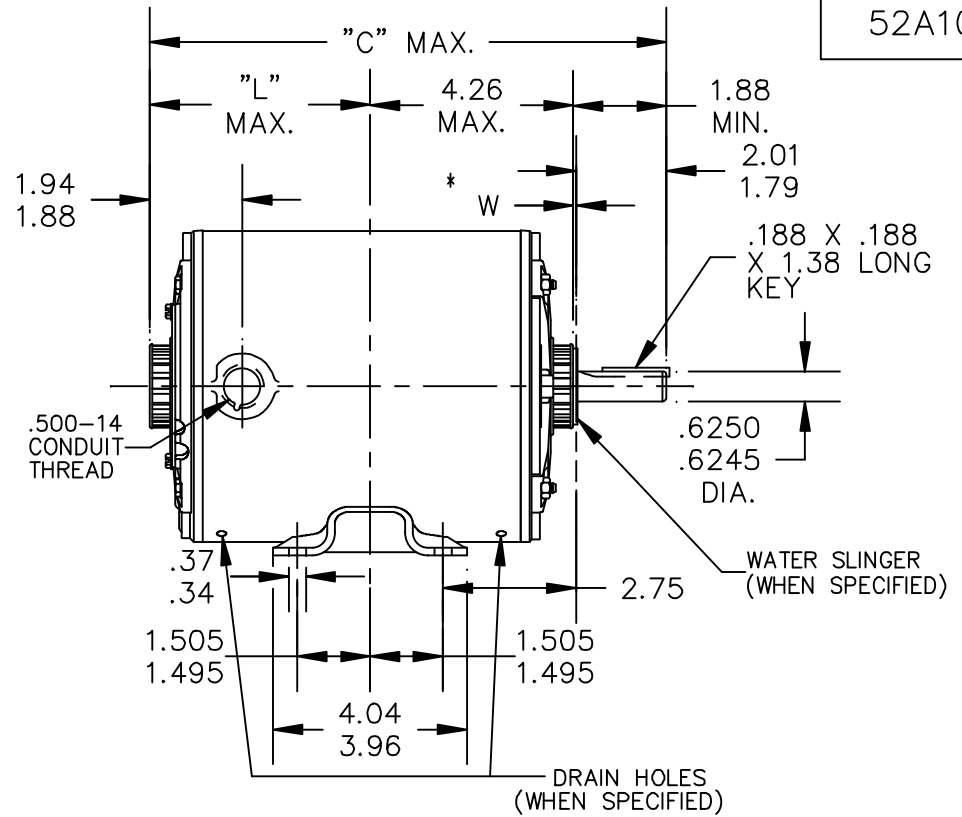
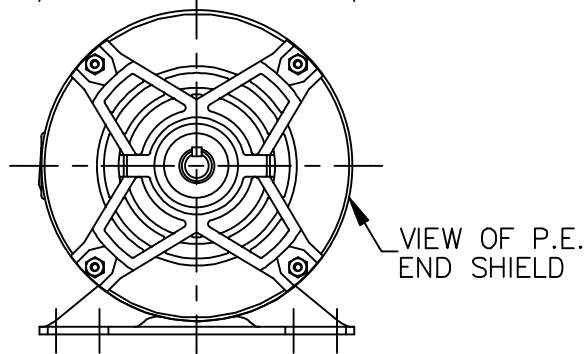
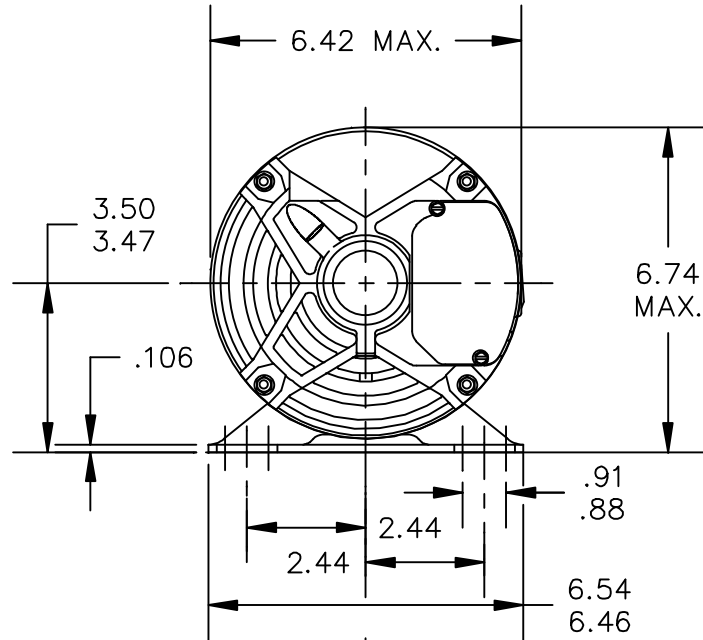
|                        |                      |                            |  |
|------------------------|----------------------|----------------------------|--|
| Output HP              | <b>1/3 Hp</b>        | Output KW                  | <b>0.25 kW</b>                         |
| Frequency              | <b>60 Hz</b>         | Voltage                    | <b>200-230/460 V</b>                   |
| Current                | <b>2.1-2.0,1.0 A</b> | Speed                      | <b>1140/950 rpm</b>                    |
| Service Factor         | <b>1.5</b>           | Phase                      | <b>3</b>                               |
| Efficiency             | <b>69.9 %</b>        | Duty                       | <b>Continuous</b>                      |
| Insulation Class       | <b>B</b>             | KVA Code                   | <b>P</b>                               |
| Frame                  | <b>56</b>            | Enclosure                  | <b>Totally Enclosed Non Ventilated</b> |
| Overload Protector     | <b>AUTO</b>          | Ambient Temperature        | <b>65 °C</b>                           |
| Drive End Bearing Size | <b>6203</b>          | Opp Drive End Bearing Size | <b>6203</b>                            |
| UL                     | <b>Recognized</b>    | CSA                        | <b>Yes</b>                             |
| CE                     | <b>N</b>             |                            |  |

**Technical Specifications**

|                   |                     |                       |                                   |
|-------------------|---------------------|-----------------------|-----------------------------------|
| Electrical Type   | <b>Three Phase</b>  | Starting Method       | <b>N/R</b>                        |
| Poles             | <b>6</b>            | Rotation              | <b>Counterclockwise/Clockwise</b> |
| Mounting          | <b>Rigid Base</b>   | Motor Orientation     | <b>ANY</b>                        |
| Drive End Bearing | <b>BALL</b>         | Opp Drive End Bearing | <b>BALL</b>                       |
| Frame Material    | <b>Rolled Steel</b> | Overall Length        | <b>10.38 in</b>                   |
| Frame Length      | <b>6.15 in</b>      | Shaft Diameter        | <b>0.63 in</b>                    |
| Shaft Extension   | <b>1.88 in</b>      | Thru-bolts Extension  | <b>0</b>                          |
| Outline Drawing   | <b>52A109628P2</b>  | Connection Diagram    | <b>113A423</b>                    |

**This is an uncontrolled document once printed or downloaded and is subject to change without notice. Date Created: 10/08/2018**

52A109628



ALL DIMENSIONS ARE IN INCHES

|   |      |          |          |       |      |  |            |
|---|------|----------|----------|-------|------|--|------------|
| 7 | K    | 49       | 56       | 9.57  | 3.41 |  | 5.34       |
| 6 | K    | 48       | 56       | 12.66 | 6.50 |  | 8.43       |
| 5 | K    | 49       | 56       | 11.91 | 5.75 |  | 7.68       |
| 4 | K    | 49       | 56       | 11.38 | 5.22 |  | 7.15       |
| 3 | K    | 46       | 56       | 10.78 | 4.62 |  | 6.55       |
| 2 | K    | 49       | 56       | 10.38 | 4.22 |  | 6.15       |
| 1 | K    | 42       | 56       | 9.95  | 3.79 |  | 5.72       |
| P | TYPE | RBC SIZE | NEMA FR. | "C"   | "L"  |  | MIN. SHELL |

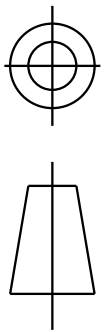
\* W IS A VARIABLE CLEARANCE DUE TO VARIATIONS IN PARTS AND ASSEMBLY

|  |                                 |           |          |                             |          |                      |                       |
|--|---------------------------------|-----------|----------|-----------------------------|----------|----------------------|-----------------------|
|  |                                 |           |          | TOLERANCES UNLESS SPECIFIED |          | DRAWN M.D.P 06/03/94 |                       |
|  |                                 |           |          | DEC.                        | INCHES   | CHK                  |                       |
|  |                                 |           |          | .X                          | ±0.1     | APPD M.D.P 06/03/94  |                       |
| 5  | REDRAWN IN DRAFT SIGHT          | UD        | 10/08/12 | PKG                         | .XX      | ±0.02                | SCALE 1=1             |
| 4  | CHG TO RBC FORMAT PER ISO5-1777 | SD        | 03/21/06 |                             | .XXX     | ±0.005               | REF                   |
| 3  | ADDED DRAIN HOLES.              | M.D.P     | 08/18/95 |                             | .XXXX    | ±0.0005              | FMF                   |
| NO.  | REVISION                        | BY & DATE | CHK      | ANG                         | ±1.0     | FINISH               | PREV                  |
| THIS DRAWING IN DESIGN AND DETAIL IS OUR PROPERTY AND MUST NOT BE USED EXCEPT IN CONNECTION WITH OUR WORK ALL RIGHTS OF DESIGN AND INVENTION ARE RESERVED THIS IS AN ELECTRONICALLY GENERATED DOCUMENT - DO NOT SCALE THIS PRINT |                                 |           |          | RFP                         | CAD FILE | 52A109628            | SIZE A                |
|  |                                 |           |          | DIST                        |          |                      | DRAWING NO. 52A109628 |
|  |                                 |           |          |                             |          |                      | REV. 5                |



REVISIONS

| REV. | DESCRIPTION                       | DATE     | APPROVED |
|------|-----------------------------------|----------|----------|
| 7    | LO VOLTAGE: "T8 RED" WAS "T3 RED" | 09/25/92 | BLJ      |
| 8    | LABEL WAS 185178                  | 04/04/95 | M.A.M.   |
| 9    | CHG TO RBC FORMAT PER IS05-1777   | 06/13/06 | SUDHA    |

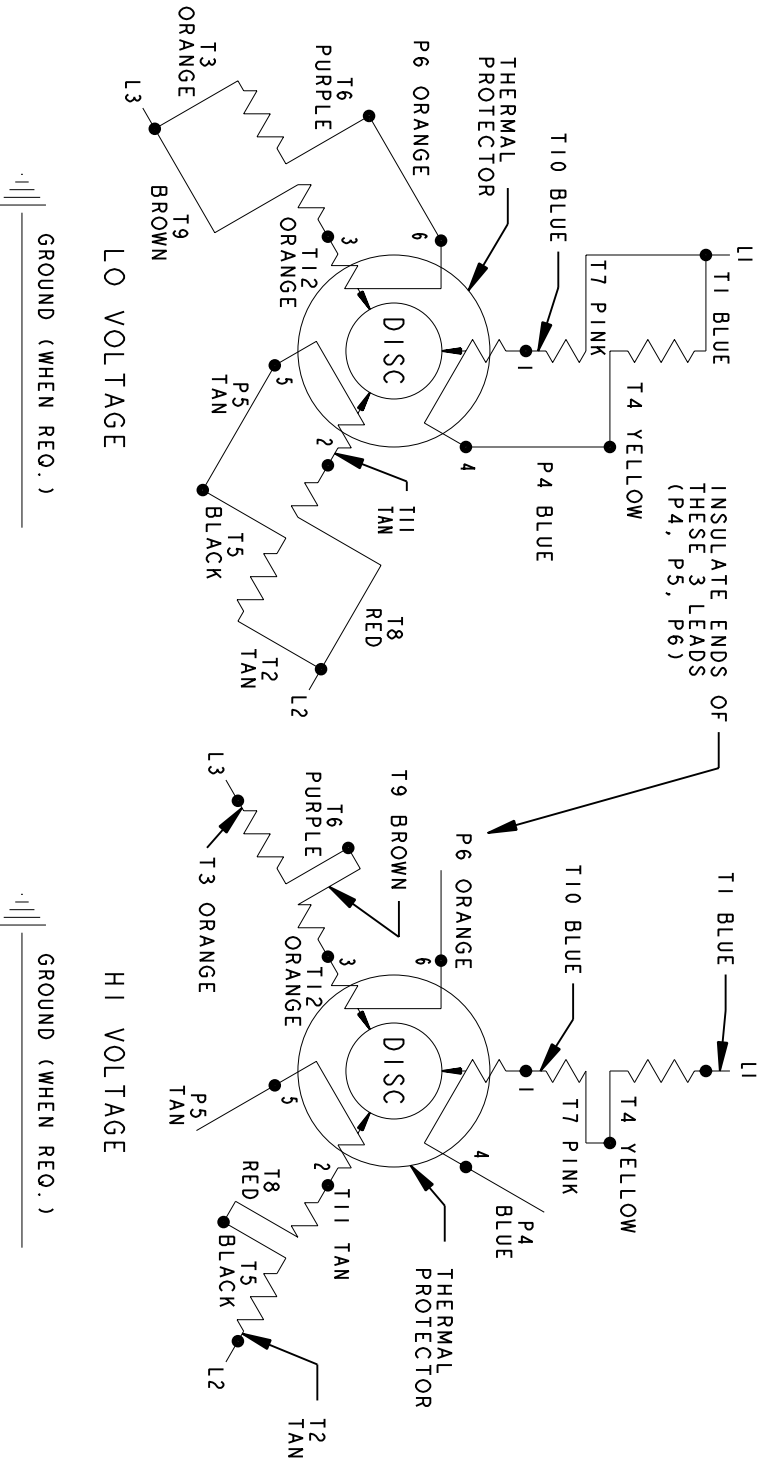


This document is the property of REGAL-BELOIT CORPORATION ("RBC") including its subsidiaries and divisions and contains proprietary information of RBC. This document is loaned on the express condition that neither the recipient nor any other person shall be permitted to disclose or disseminate the information contained herein without the express written consent of RBC. This document shall be returned to RBC upon its request. This document may be subject to certain restrictions under U.S. export control laws and regulations.

THIRD ANGLE PROJECTION

113A423 9

TYPE K - DUAL VOLTAGE - THREE PHASE -  
 12 LEAD WDG. - 12 LEADS OUT - THERMAL PROTECTION



NOTE #1 - TO REVERSE ROTATION, INTERCHANGE THE EXTERNAL CONNECTIONS TO ANY TWO LINE LEADS.

LABEL - NP185178AA

FOR ADDITIONAL INFO REFER TO:

| APPLIED PRACTICES   | MODEL         | SIGNATURES | DATE     |
|---|---------------|------------|----------|
| DIMENSIONS ARE IN INCHES  | G.A.HILLSMIER |            | 01/03/56 |
| TOLERANCE ON:<br>1 PL DECIMALS ± 0.1<br>2 PL DECIMALS ± 0.02<br>3 PL DECIMALS ± 0.005 | DETAIL        |            |          |
| ANGLES ± 1.0  | CHECKED       |            |          |
| FRACTIONS ±   | ENGRG         |            |          |
|   | MFG           |            |          |
|   | QUALITY       |            |          |
|   | ISSUED        |            |          |

**REGAL-BELOIT CORPORATION**

TITLE  
**DIAGRAM - CONNECTION**  
 TYPE K MOTORS

| MATERIAL             | FINISH | ISSUED | QUALITY |
|----------------------|--------|--------|---------|
| SOLID MODEL: 113A423 | ✓      | B.L.J. |         |

| SIZE | DRAWING | SCALE | REF. No. | REV |
|------|---------|-------|----------|-----|
| A    | A       | 1.000 |          | 9   |