

# PRODUCT INFORMATION PACKET

**marathon**<sup>®</sup>  
Motors

Model No: 5K49JN4051T

Catalog No: K1476

1 HP General Purpose Farm Duty Motor, 3 phase, 1800 RPM, 460/380 V, 56C Frame, TEFC  
Three Phase Farm Duty Motors



Regal and Marathon are trademarks of Regal Beloit Corporation or one of its affiliated companies.

©2019 Regal Beloit Corporation, All Rights Reserved. MC017097E

**REGAL**

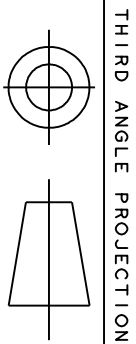
### Nameplate Specifications

Output HP	<b>1 Hp</b>	Output KW	<b>0.75 kW</b>
Frequency	<b>60 Hz</b>	Voltage	<b>460/380 V</b>
Current	<b>2.0 A</b>	Speed	<b>1725/1425 rpm</b>
Service Factor	<b>1</b>	Phase	<b>3</b>
Efficiency	<b>0 %</b>	Power Factor	<b>0</b>
Duty	<b>Continuous</b>	Insulation Class	<b>B</b>
Design Code	<b>-</b>	KVA Code	<b>L</b>
Frame	<b>56C</b>	Enclosure	<b>Totally Enclosed Fan Cooled</b>
Thermal Protection	<b>AUTO</b>	Ambient Temperature	<b>40 °C</b>
Drive End Bearing Size	<b>6203</b>	Opp Drive End Bearing Size	<b>6203</b>
UL	<b>Recognized</b>	CSA	<b>Yes</b>
CE	<b>N</b>		

### Technical Specifications

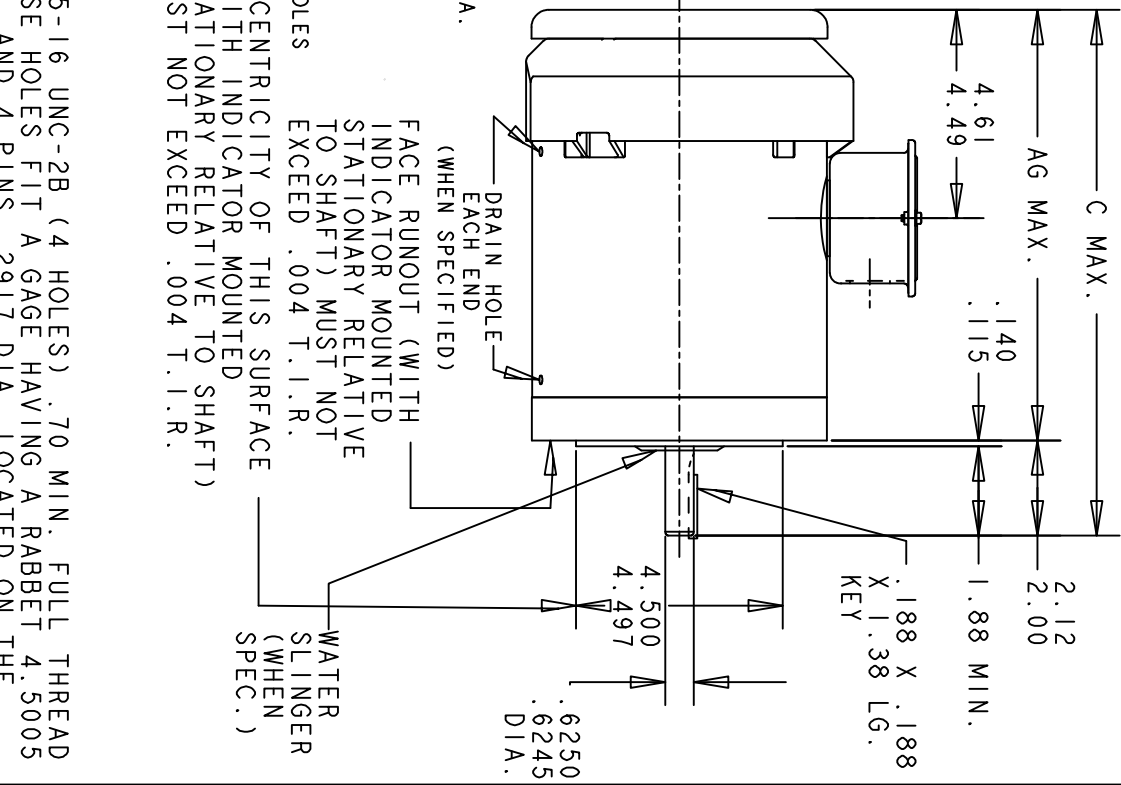
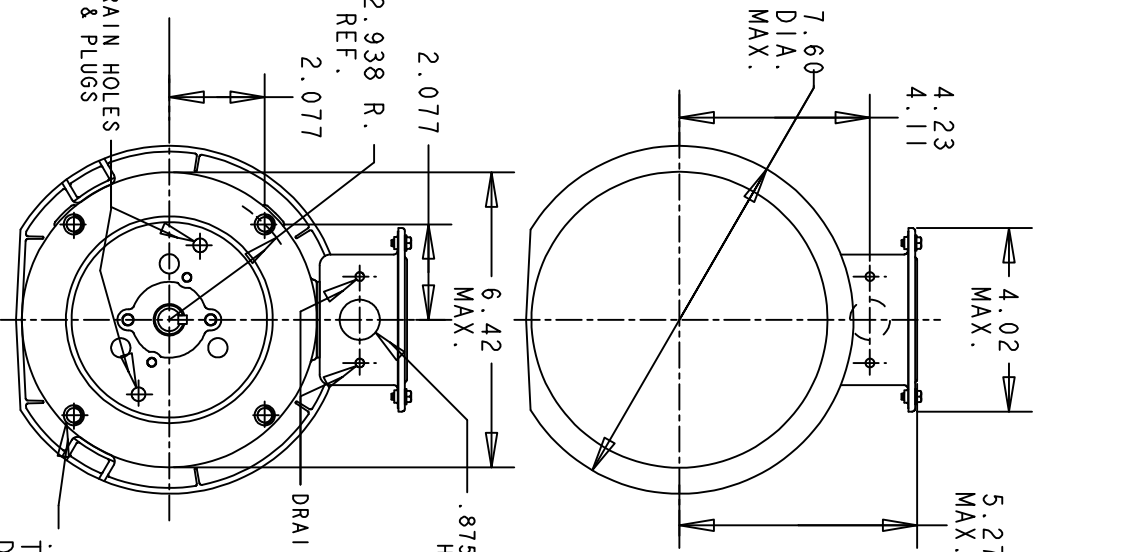
Electrical Type	<b>Three Phase</b>	Starting Method	<b>N/R</b>
Poles	<b>4</b>	Rotation	<b>Counterclockwise/Clockwise</b>
Mounting	<b>Round</b>	Motor Orientation	<b>VSD</b>
Drive End Bearing	<b>BALL</b>	Opp Drive End Bearing	<b>BALL</b>
Frame Material	<b>Rolled Steel</b>	Frame Length	<b>6.15 in</b>
Shaft Extension	<b>.625 X 1.88 - .188 X .188 KEY in</b>		

This is an uncontrolled document once printed or downloaded and is subject to change without notice. Date Created:01/11/2019



REVISIONS

REV.	DESCRIPTION	DATE	APPROVED
4	ADDED PART 2	04/15/03	MANTRI U
5	CHG TO RBC FORMAT PER IS05-1777	03/06/03	SUDHA



VIEW OF P.E. END SHIELD

2	K	49	56C	11.65	9.53	5.72
1	K	49	56C	12.08	9.96	6.15
P	TYPE	GE	NEMA	C	AG	MIN. SHELL



REGAL-BELOIT CORPORATION

OUTLINE

TITLE  
**GENERAL PURPOSE MOTOR TEFC - BALL BEARING R2 END MOUNTED FWF - 5K49MM4008T**

FOR ADDITIONAL INFO REFER TO:	
APPLIED PRACTICES	QUALITY
DIMENSIONS ARE IN INCHES	ISSUED
MATERIAL	SOLID MODEL: 52A107818

SIGNATURES		DATE
MODEL	M.D. PAPE	10/02/92
DETAIL		
CHECKED		
ENGRG		
MFG		

SIZE	DRAWING	REV
A		5

SCALE	REF. No.	SHEET
0.250		1 of 1