

PRODUCT INFORMATION PACKET

marathon[®]
Motors

Model No: 5K48WN6397

Catalog No: K1222

1 HP General Purpose Motor, 3 phase, 1200 RPM, 208-230/460 V, 56C Frame, TEFC
Three Phase TEFC Motors



Regal and Marathon are trademarks of Regal Beloit Corporation or one of its affiliated companies.

©2019 Regal Beloit Corporation, All Rights Reserved. MC017097E

REGAL



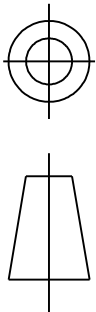
Nameplate Specifications

Output HP	1 Hp	Output KW	.75 kW
Frequency	60 Hz	Voltage	208-230/460 V
Current	4.3-4.5 A	Speed	1140 rpm
Service Factor	1.25	Phase	3
Efficiency	0 %	Duty	Continous
Insulation Class	B	KVA Code	R
Frame	56C	Enclosure	Totally Enclosed Fan Cooled
Thermal Protection	N/R	Ambient Temperature	40 °C
Drive End Bearing Size	6205	UL	Recognized
CE	N		

Technical Specifications

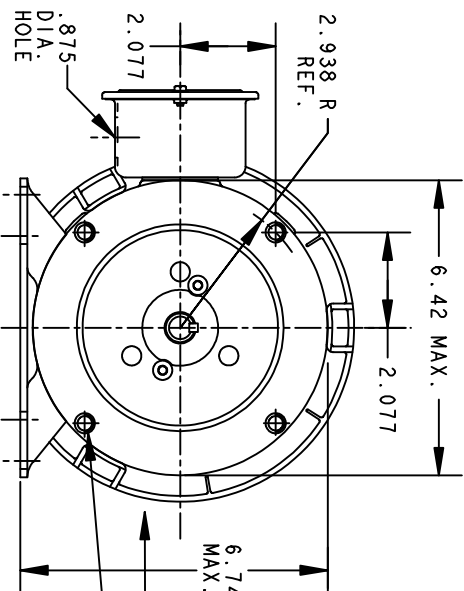
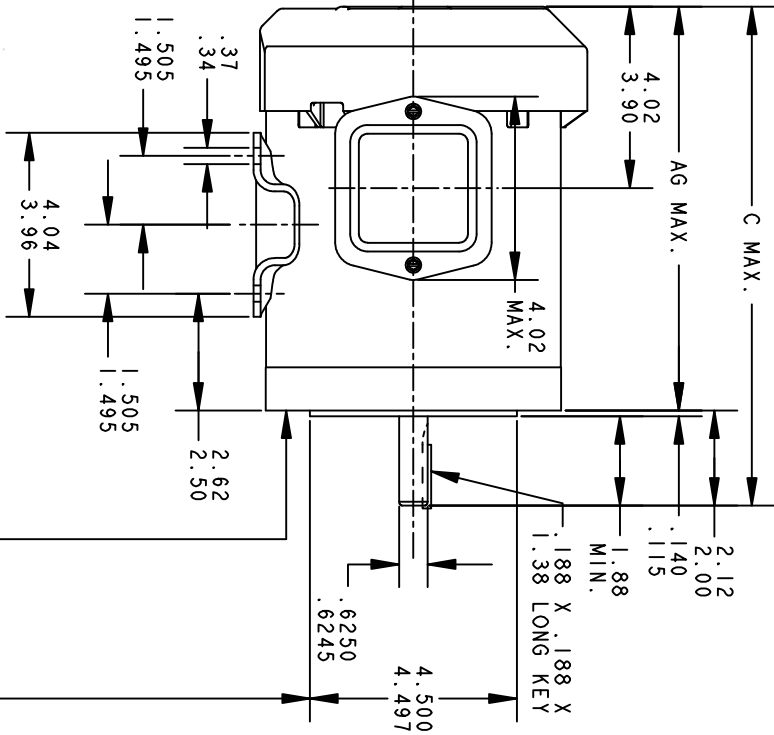
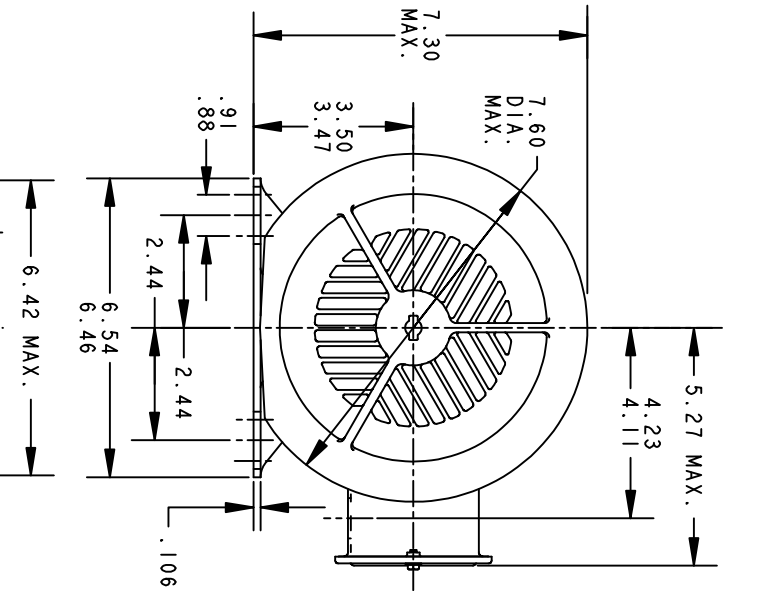
Electrical Type	Three Phase	Starting Method	N/R
Poles	6	Rotation	Counterclockwise/Clockwise
Mounting	Rigid	Motor Orientation	ANY
Drive End Bearing	BALL	Opp Drive End Bearing	BALL
Overall Length	13.72 in	Frame Length	8.43 in
Shaft Extension	.625 X 1.88 - .188 X .188 KEY in		

This is an uncontrolled document once printed or downloaded and is subject to change without notice. Date Created:01/11/2019



THIRD ANGLE PROJECTION

REV.	DESCRIPTION	DATE	APPROVED
3	CHG TO RBC FORMAT PER IS05-1777	03/22/06	SUDHA
4	ADDED PART #6 PER DS11-0343	03/15/11	KARTHIK



VIEW OF P. E. END SHIELD

ECCENTRICITY OF THIS SURFACE (WITH INDICATOR MOUNTED STATIONARY RELATIVE TO SHAFT) MUST NOT EXCEED .004 T.I.R.

FACE RUNOUT (WITH INDICATOR MOUNTED STATIONARY RELATIVE TO SHAFT) MUST NOT EXCEED .004 T.I.R.

.375-16 UNC-2B (4 HOLES) .70 MIN. FULL THREAD. THESE HOLES FIT A GAGE HAVING A RABBIT 4.5005 DIA. AND 4 PINS .2917 DIA. LOCATED ON THE BASIC HOLE POSITIONS.

4	K	49	56C	12.44	10.32	7.15
3	K	46	56C	11.84	9.72	6.55
2	K	42	56C	11.01	8.89	5.72
1	K	49	56C	11.41	9.29	6.15
P	TYPE	GE SIZE	NEMA FR	C	AG	MIN. SHELL

SIGNATURES		DATE
MODEL	M.D. PAPE	07/20/94
DETAIL		
CHECKED		
ENGRG		
MFG		
QUALITY		
ISSUED	M.D. PAPE	07/20/94

REGAL-BELOIT CORPORATION

OUTLINE

40 FRAME REDESIGN - GENERAL PURPOSE MOTOR - TEFC BALL BEARING- WELDED BASE - R2 END MOUNTED

SIZE A DRAWING 52A109650 REV 4

FOR ADDITIONAL INFO REFER TO:
APPLIED PRACTICES
DIMENSIONS ARE IN INCHES
MATERIAL

SCALE:	REF. No.:	SHEET
0.250		1 of 1

RBC PROPRIETARY AND CONFIDENTIAL INFORMATION
 This document is the property of REGAL-BELOIT CORPORATION ("RBC") including its subsidiaries and divisions and contains proprietary information of RBC. This document is loaned on the express condition that neither the recipient nor any other person shall be permitted to disclose or disseminate the contents of this document to any other person without the prior written consent of RBC. This document shall be returned to RBC upon its request. This document may be subject to certain restrictions under U.S. export control laws and regulations.

REVISIONS			
REV.	DESCRIPTION	DATE	APPROVED
1	CHG TO RBC FORMAT PER IS05-1777	06/15/06	MADHU
2	RENAMED 113A930-FIG-2 TO 113A930FIG2 PER IS07-0972	05/08/07	MADHU

THIRD ANGLE PROJECTION

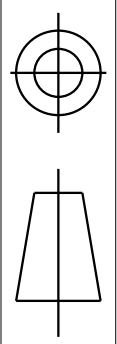
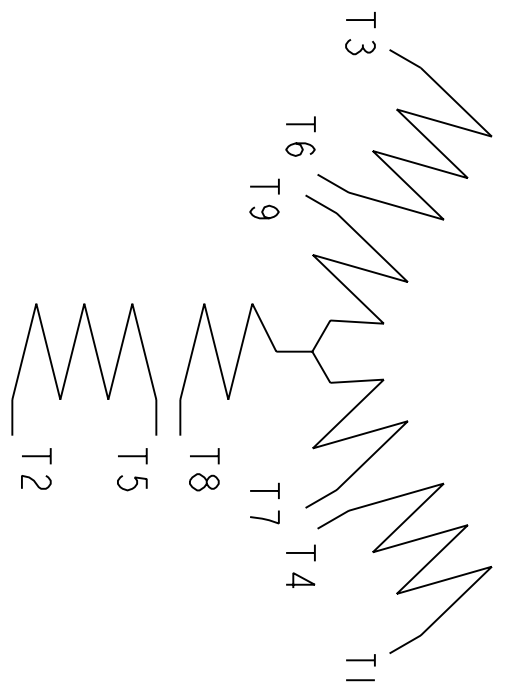


FIG. 2

3 PHASE



	VOLTS	L1	L2	L3	TOGETHER
2Y	LOW	1-7	2-8	3-9	4-5-6
1Y	HIGH	1	2	3	4-7, 5-8, 6-9

BRAKE MOTORS : CONNECT BRAKE LEADS B1 & B2 TO MOTOR LEADS T7 & T8.

FOR ADDITIONAL INFO REFER TO:		SIGNATURES		DATE
APPLIED PRACTICES	MODEL	M.D. PAPE		02/23/03
DIMENSIONS ARE IN INCHES				
TOLERANCE ON:				
1 PL DECIMALS ± 0.1				
2 PL DECIMALS ± 0.02				
3 PL DECIMALS ± 0.005				
ANGLES ± 1.0				
FRACTIONS ±				
FINISH	QUALITY	M.D. PAPE		02/23/03
	ISSUED			
MATERIAL	SOLID MODEL: 113A930FIG2			



REGAL-BELOIT CORPORATION

TITLE CONNECTION DIAGRAM

SIZE	DRAWING	SCALE	1.000	REF. No.	
A					
	113A930FIG2				
REV	2				
SHEET	1 of 1				