

# PRODUCT INFORMATION PACKET

marathon®  
Motors

Model No: 5K46MN6047

Catalog No: K117

.5 HP General Purpose Motor, 3 phase, 1200 RPM, 208-230/460 V, 56 Frame, ODP  
Three Phase ODP Motors



Regal and Marathon are trademarks of Regal Beloit Corporation or one of its affiliated companies.  
©2019 Regal Beloit Corporation, All Rights Reserved. MC017097E

REGAL



**Nameplate Specifications**

Output HP	.5 Hp	Output KW	.37 kW
Frequency	60 Hz	Voltage	208-230/460 V
Current	2.6-2.6 A	Speed	1140 rpm
Service Factor	1.25	Phase	3
Efficiency	0 %	Duty	CONT
Insulation Class	B	KVA Code	L
Frame	56	Enclosure	DP
Thermal Protection	N/R	Ambient Temperature	40 °C
Drive End Bearing Size	6203	Opp Drive End Bearing Size	6203
UL	Recognized	CSA	Y
CE	N		

**Technical Specifications**

Electrical Type	Three Phase	Starting Method	N/R
Poles	6	Rotation	CCW/CW
Mounting	WB	Motor Orientation	ANY
Drive End Bearing	BALL	Opp Drive End Bearing	BALL
Frame Length	6.55 in	Shaft Extension	.625 X 1.88 - .188 X .188 KEY in

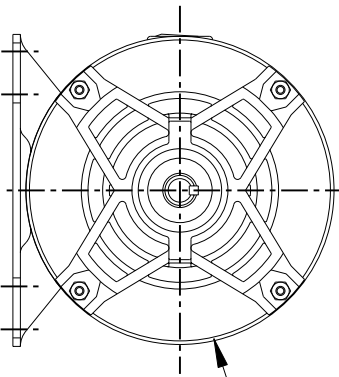
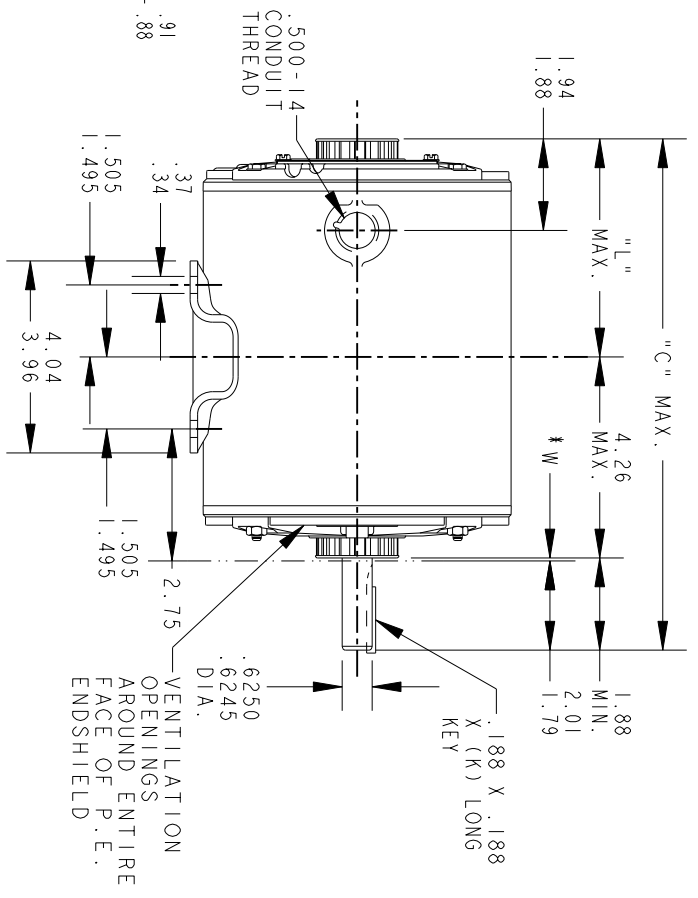
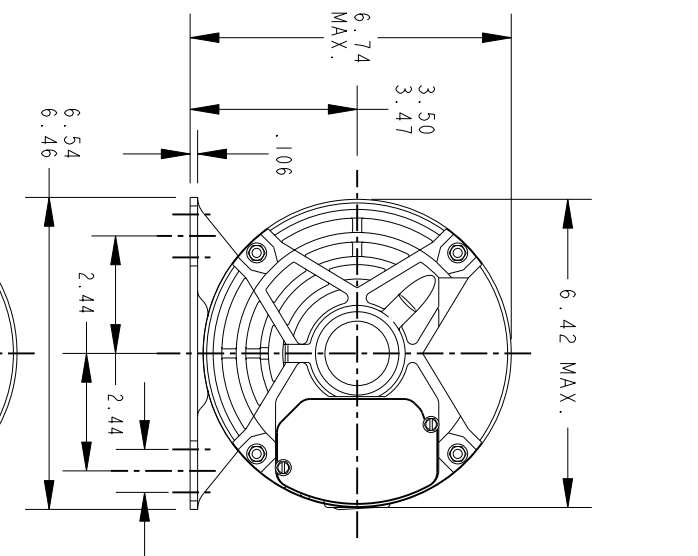
This is an uncontrolled document once printed or downloaded and is subject to change without notice. Date Created:01/11/2019

THIRD ANGLE PROJECTION



REVISIONS

REV.	DESCRIPTION	DATE	APPROVED
3	CHG TO RBC FORMAT PER IS05-11777	03/03/06	SUDHA
4	ADD PT #8 PER IS06-1000	05/02/06	SUDHA



ALL DIMENSIONS ARE IN INCHES

\*W IS A VARIABLE CLEARANCE DUE TO VARIATIONS IN PARTS AND ASSEMBLY

8	7	6	5	4	3	2	1	P
K	K	K	K	K	K	K	K	TYPE
46	49	48	49	49	46	49	42	GE SIZE
56	56	56	56	56	56	56	56	NEMA FR.
10.78	9.67	12.66	11.91	11.38	10.78	10.38	9.95	"C"
4.62	3.41	6.50	5.75	5.22	4.62	4.22	3.79	"L"
1.88	1.38	1.38	1.38	1.38	1.38	1.38	1.38	"K"

SIGNATURES	DATE	MIN. SHELL
MODEL M.D. PAPER	04/29/92	6.55
DETAIL		5.34
CHECKED		8.43
ENGRG		7.68
MFG		7.15
QUALITY		6.55
ISSUED	M.D. PAPER	6.15
	04/29/92	5.72



REGAL-BELOTT CORPORATION

TITLE OUTLINE

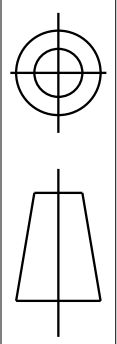
GENERAL PURPOSE MOTOR DRIP PROOF - BALL BEARING- WELDED BASE FMF - 40 FRAME REDESIGN

SIZE DRAWING A

SCALE: 0.250 REF. No. . SHEET 1 of 1

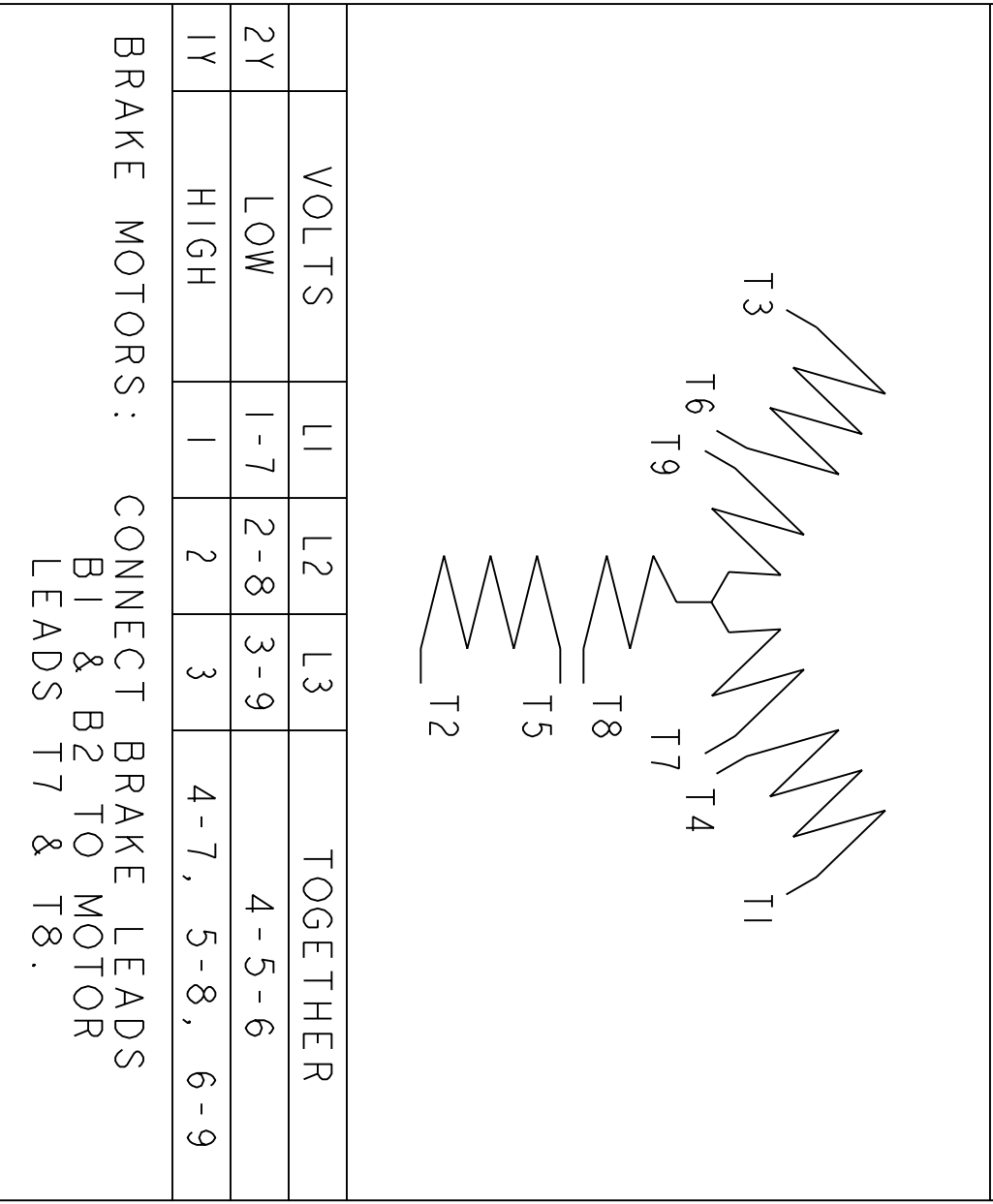
RBC PROPRIETARY AND CONFIDENTIAL INFORMATION  
 This document is the property of REGAL-BELOIT CORPORATION ("RBC") including its subsidiaries and divisions and contains proprietary information of RBC. This document is loaned on the express condition that neither the recipient nor any other person shall be permitted to disclose or disseminate the contents of this document to any other person without the express written consent of RBC. This document shall be returned to RBC upon its request. This document may be subject to certain restrictions under U.S. export control laws and regulations.

REVISIONS			
REV.	DESCRIPTION	DATE	APPROVED
1	CHG TO RBC FORMAT PER IS05-1777	06/15/06	MADHU
2	RENAMED 113A930_FIG-2 TO 113A930FIG2 PER IS07-0972	05/08/07	MADHU



THIRD ANGLE PROJECTION

FIG. 2 3 PHASE



	VOLTS	L1	L2	L3	TOGETHER
2Y	LOW	1-7	2-8	3-9	4-5-6
1Y	HIGH	1	2	3	4-7, 5-8, 6-9

BRAKE MOTORS: CONNECT BRAKE LEADS B1 & B2 TO MOTOR LEADS T7 & T8.

FOR ADDITIONAL INFO REFER TO:		SIGNATURES		DATE
APPLIED PRACTICES	MODEL	M.D. PAPE	02/23/03	
DIMENSIONS ARE IN INCHES				
TOLERANCE ON:				
1 PL DECIMALS ± 0.1				
2 PL DECIMALS ± 0.02				
3 PL DECIMALS ± 0.005				
ANGLES ± 1.0				
FRACTIONS ±				
FINISH	QUALITY	M.F.G.		
ISSUED	M.D. PAPE	02/23/03		
MATERIAL	SOLID MODEL: 113A930FIG2			
<p>REGAL-BELOIT CORPORATION</p>		TITLE		
		CONNECTION DIAGRAM		
SIZE DRAWING		SCALE: 1.000 REF. No.:		
A		113A930FIG2		
		REV 2		
		SHEET 1 of 1		