

PRODUCT INFORMATION PACKET

marathon®
Motors

Model No: 5K42HN6024

Catalog No: K1315

.33 HP General Purpose Motor, 3 phase, 1200 RPM, 208-230/460 V, 56C Frame, TEFC
Three Phase TEFC Motors



Regal and Marathon are trademarks of Regal Beloit Corporation or one of its affiliated companies.
©2019 Regal Beloit Corporation, All Rights Reserved. MC017097E

REGAL



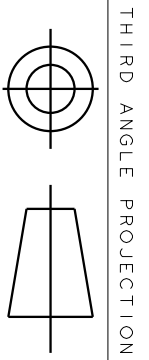
Nameplate Specifications

Output HP	.33 Hp	Output KW	.25 kW
Frequency	60 Hz	Voltage	208-230/460 V
Current	2.4-2.2 A	Speed	1140 rpm
Service Factor	1.35	Phase	3
Efficiency	0 %	Duty	CONT
Insulation Class	B	KVA Code	M
Frame	56C	Enclosure	TEFC
Thermal Protection	N/R	Ambient Temperature	40 °C
Drive End Bearing Size	6203	Opp Drive End Bearing Size	6203
UL	Recognized	CSA	Y
CE	N		

Technical Specifications

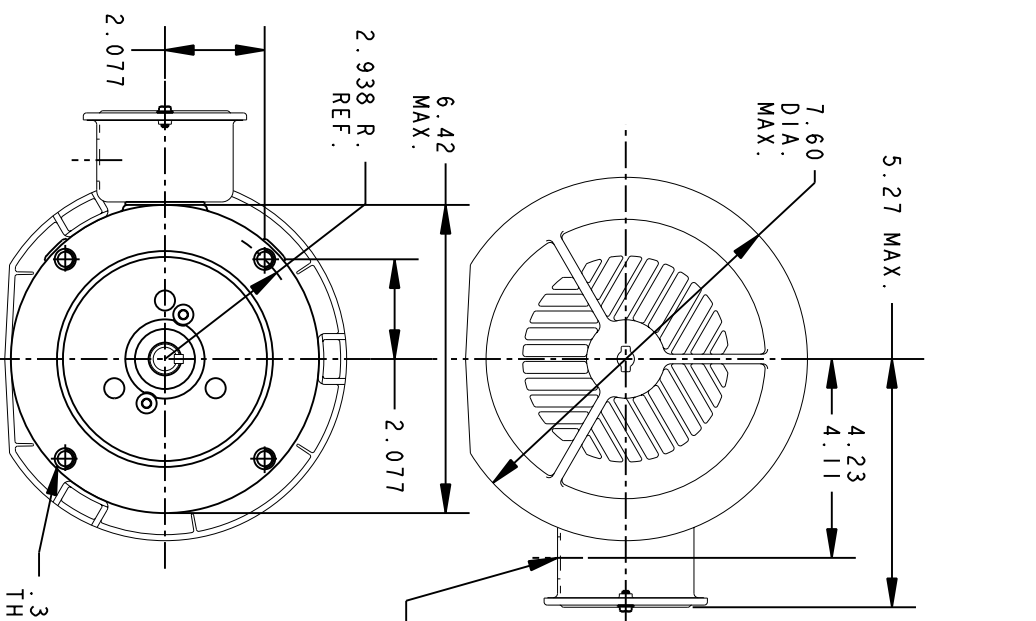
Electrical Type	Three Phase	Starting Method	N/R
Poles	6	Rotation	CCW/CW
Mounting	N/R	Motor Orientation	ANY
Drive End Bearing	BALL	Opp Drive End Bearing	BALL
Frame Length	5.72 in	Shaft Extension	.625 X 1.88 - .188 X .188 KEY in

This is an uncontrolled document once printed or downloaded and is subject to change without notice. Date Created:01/11/2019

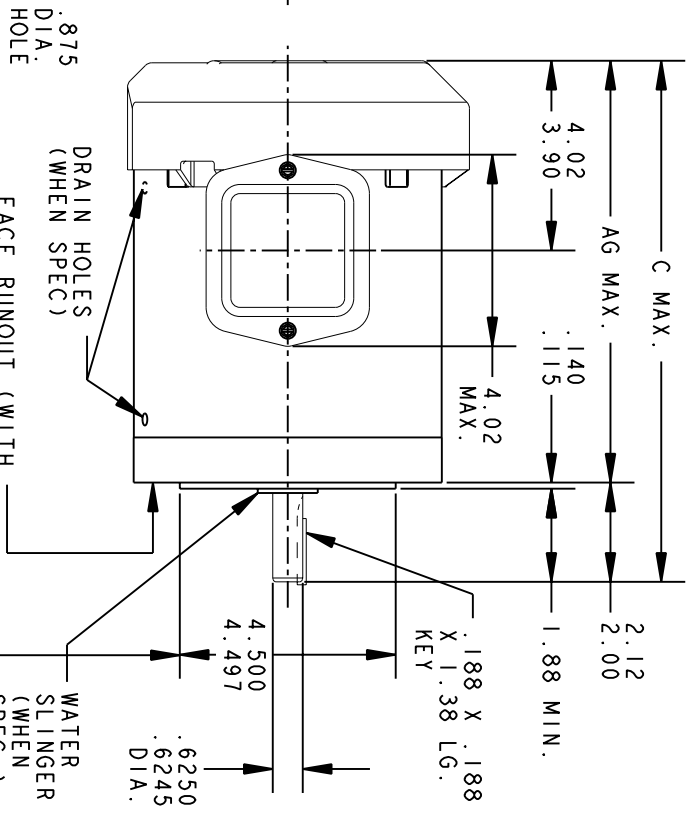


THIRD ANGLE PROJECTION

REVISIONS		DATE	APPROVED
REV. 7	DESCRIPTION ADDED PART #6.	09/13/94	M.A.M.
8	CHG TO RBC FORMAT PER IS05-1777	03/03/06	SUDHA



VIEW OF P.E. END SHIELD



ECCENTRICITY OF THIS SURFACE (WITH INDICATOR MOUNTED STATIONARY RELATIVE TO SHAFT) MUST NOT EXCEED .004 T.I.R.

FACE RUNOUT (WITH INDICATOR MOUNTED STATIONARY RELATIVE TO SHAFT) MUST NOT EXCEED .004 T.I.R.

DRAIN HOLES (WHEN SPEC)

WATER SLINGER (WHEN SPEC.)

.375-16 UNC-2B (4 HOLES), .70 MIN. FULL THREAD DIA. AND 4 PINS .2917 DIA. LOCATED ON THE BASIC HOLE POSITIONS.

P	TYPE	GE SIZE	NEMA FR.	C	AG	MIN. SHELL	P	TYPE	GE SIZE	NEMA FR.	C	AG	MIN. SHELL
5	K	49	56C	12.97	10.85	7.68							
4	K	46	56C	11.84	9.72	6.55							
3	K	49	56C	12.44	10.32	7.15							
2	K	42	56C	11.01	8.89	5.72							
1	K	49	56C	11.44	9.32	6.15	6	K	49	56C	10.63	8.51	5.34



REGAL-BELOTT CORPORATION

SIGNATURES

DATE

B. JOHNSON

09/11/92

MODEL

DETAIL

CHECKED

ENGRG

MFG

QUALITY

ISSUED

M.D. PAPER

07/28/94

SOLID MODEL: 52A107814

OUTLINE

FMF - 40 FRAME REDESIGN - 5K49GN2008

GENERAL PURPOSE MOTOR - TEFC - BALL BEARING - R2 END MOUNTED

SIZE DRAWING

A

SCALE: 0.250 REF. No.:

52A107814

REV 8

SHEET 1 of 1

RBC PROPRIETARY AND CONFIDENTIAL INFORMATION
 This document is the property of REGAL-BELOIT CORPORATION ("RBC") including its subsidiaries and divisions and contains proprietary information of RBC. This document is loaned on the express condition that neither the recipient nor any other person shall be permitted to disclose or disseminate the contents of this document to any other person without the express written consent of RBC. This document shall be returned to RBC upon its request. This document may be subject to certain restrictions under U.S. export control laws and regulations.

REVISIONS			
REV.	DESCRIPTION	DATE	APPROVED
1	CHG TO RBC FORMAT PER IS05-1777	06/15/06	MADHU
2	RENAMED 113A930_FIG-2 TO 113A930FIG2 PER IS07-0972	05/08/07	MADHU

THIRD ANGLE PROJECTION

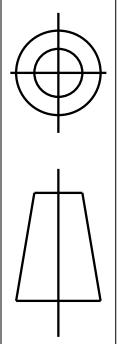
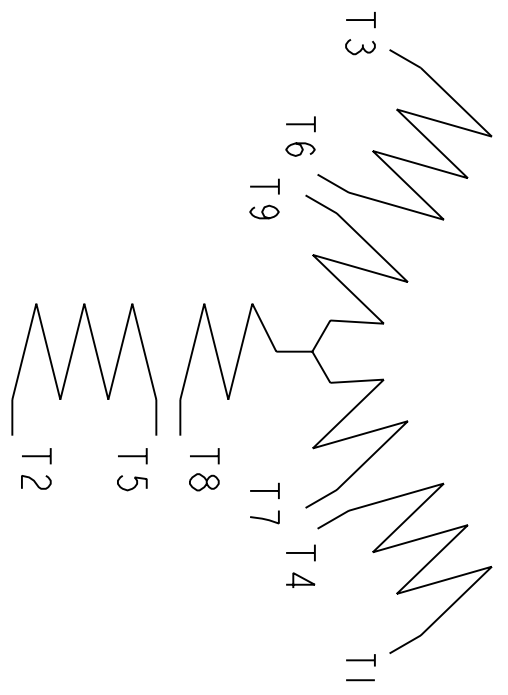


FIG. 2

3 PHASE



	VOLTS	L1	L2	L3	TOGETHER
2Y	LOW	1-7	2-8	3-9	4-5-6
1Y	HIGH	1	2	3	4-7, 5-8, 6-9

BRAKE MOTORS : CONNECT BRAKE LEADS B1 & B2 TO MOTOR LEADS T7 & T8.

FOR ADDITIONAL INFO REFER TO:		SIGNATURES		DATE
APPLIED PRACTICES	MODEL	M.D. PAPER		02/25/03
DIMENSIONS ARE IN INCHES				
TOLERANCE ON:				
1 PL DECIMALS ± 0.1				
2 PL DECIMALS ± 0.02				
3 PL DECIMALS ± 0.005				
ANGLES ± 1.0				
FRACTIONS ±				
FINISH	QUALITY	M.D. PAPER		02/25/03
	ISSUED			
MATERIAL	SOLID MODEL: 113A930FIG2			



REGAL-BELOIT CORPORATION

TITLE CONNECTION DIAGRAM

SIZE	DRAWING	SCALE	1.000	REF. No.	
A					
	113A930FIG2				
REV	2				
SHEET	1 of 1				