

# PRODUCT INFORMATION PACKET

**marathon**<sup>®</sup>  
Motors

Model No: 5K42FN2048

Catalog No: K1323

.5 HP General Purpose Motor, 3 phase, 3600 RPM, 208-230/460 V, 56C Frame, TEFC  
Three Phase TEFC Motors



Regal and Marathon are trademarks of Regal Beloit Corporation or one of its affiliated companies.

©2019 Regal Beloit Corporation, All Rights Reserved. MC017097E

**REGAL**



### Nameplate Specifications

Output HP	.5 Hp	Output KW	.37 kW
Frequency	60 Hz	Voltage	208-230/460 V
Current	2.2-2.5 A	Speed	3450 rpm
Service Factor	1.25	Phase	3
Efficiency	70.1 %	Power Factor	0
Duty	CONT	Insulation Class	B
KVA Code	P	Frame	56C
Enclosure	TEFC	Thermal Protection	N/R
Ambient Temperature	40 °C	Drive End Bearing Size	6203
Opp Drive End Bearing Size	6203	UL	Recognized
CSA	Y	CE	N

### Technical Specifications

Electrical Type	Three Phase	Starting Method	N/R
Poles	2	Rotation	CCW/CW
Mounting	WB	Motor Orientation	ANY
Drive End Bearing	BALL	Opp Drive End Bearing	BALL
Overall Length	11.01 in	Frame Length	5.72 in
Shaft Extension	.625 X 1.88 - .188 X .188 KEY in		

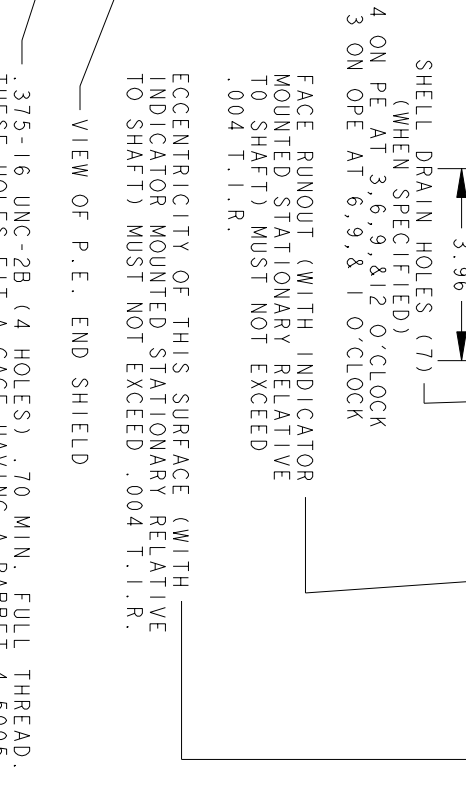
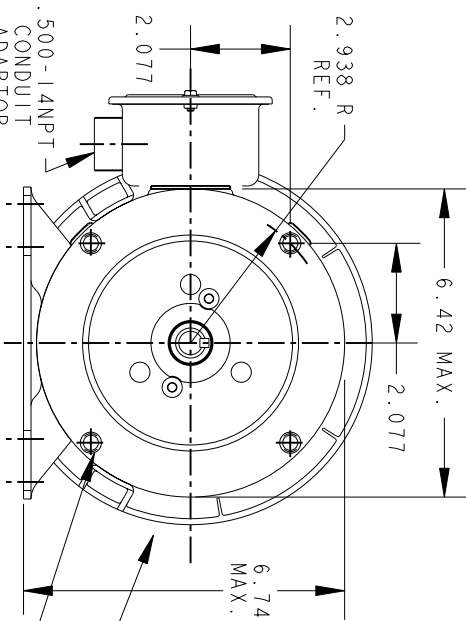
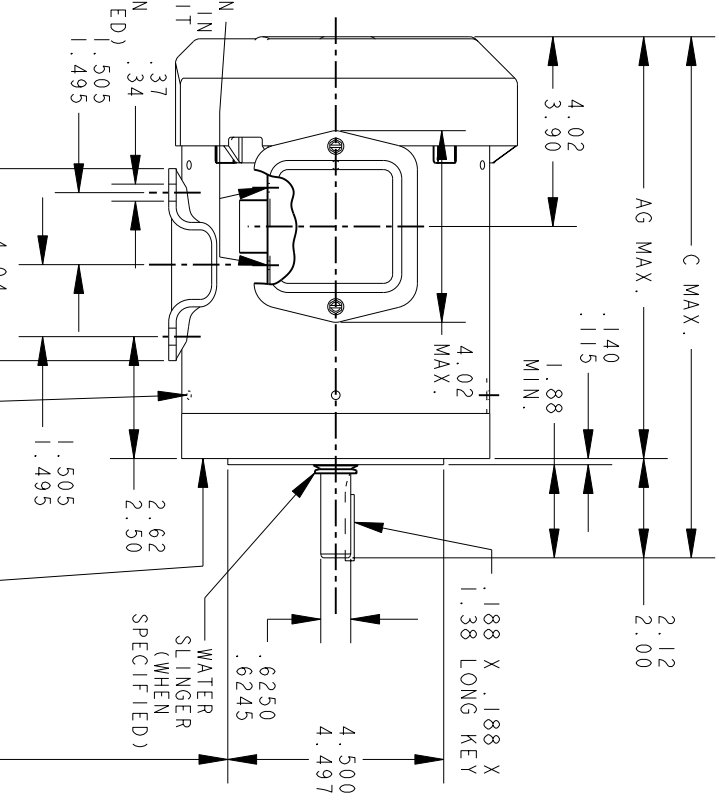
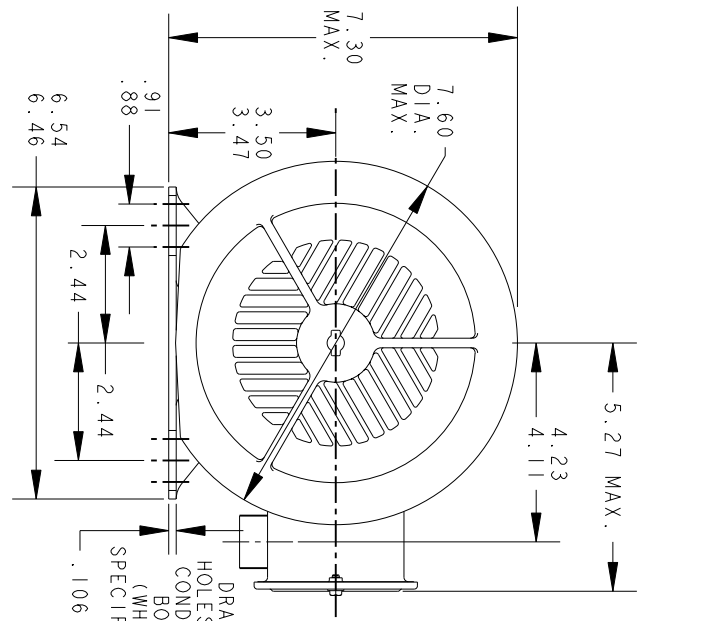
This is an uncontrolled document once printed or downloaded and is subject to change without notice. Date Created:01/11/2019

THIRD ANGLE PROJECTION



REVISIONS

REV.	DESCRIPTION	DATE	APPROVED
2	CHANGES PER T199-24, 654.	08/27/99	M.D. PAPE
3	CHG TO RBC FORMAT PER IS05-11777	03/07/06	SUDHA



P	TYPE	GE SIZE	NEMA FR	C	AG	MIN. SHELL
4	K	49	56C	12.44	10.32	7.15
3	K	49	56C	11.44	9.32	6.15
2	K	46	56C	11.84	9.72	6.55
1	K	42	56C	11.01	8.89	5.72

SIGNATURES		DATE
MODEL	B. JOHNSON	06/08/93
DETAIL		
CHECKED		
ENGRG		
MFG		
QUALITY		
ISSUED	B.L.J.	06/08/93
SOLID MODEL:	52A107854	



REGAL-BELOTT CORPORATION

OUTLINE

40 FRAME REDESIGN - WASH DOWN DUTY MOTOR - TEFC BALL BEARING - WELDED BASE - R2 END MOUNTED

SCALE: 0.250 REF. No.: 52A107854

FOR ADDITIONAL INFO REFER TO:  
 APPLIED PRACTICES  
 DIMENSIONS ARE IN INCHES  
 MATERIAL

SIZE DRAWING A  
 SHEET 1 of 1

RBC PROPRIETARY AND CONFIDENTIAL INFORMATION  
 This document is the property of REGAL-BELOIT CORPORATION ("RBC") including its subsidiaries and divisions and contains proprietary information of RBC. This document is loaned on the express condition that neither the recipient nor any other person shall be permitted to disclose or disseminate the information contained herein without the express written consent of RBC. This document shall be returned to RBC upon its request. This document may be subject to certain restrictions under U.S. export control laws and regulations.

REVISIONS			
REV.	DESCRIPTION	DATE	APPROVED
1	CHG TO RBC FORMAT PER IS05-1777	06/15/06	MADHU
2	RENAMED 113A930_FIG-2 TO 113A930FIG2 PER IS07-0972	05/08/07	MADHU

THIRD ANGLE PROJECTION

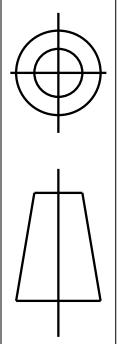
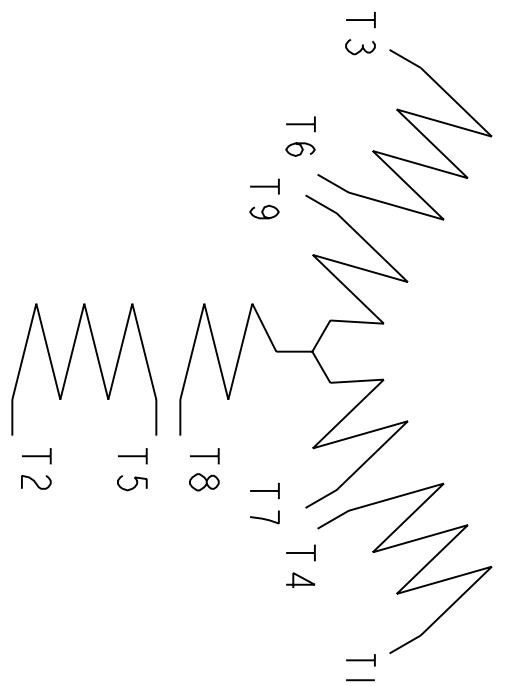


FIG. 2 3 PHASE



	VOLTS	L1	L2	L3	TOGETHER
2Y	LOW	1-7	2-8	3-9	4-5-6
1Y	HIGH	1	2	3	4-7, 5-8, 6-9

BRAKE MOTORS : CONNECT BRAKE LEADS B1 & B2 TO MOTOR LEADS T7 & T8.

FOR ADDITIONAL INFO REFER TO:	SIGNATURES	DATE
APPLIED PRACTICES	M.D. PAPE	02/23/03
DIMENSIONS ARE IN INCHES	DETAIL	.
TOLERANCE ON:	CHECKED	.
1 PL DECIMALS ± 0.1	ENGRG	.
2 PL DECIMALS ± 0.02	MFG	.
3 PL DECIMALS ± 0.005	QUALITY	.
ANGLES ± 1.0	ISSUED	M.D. PAPE 02/23/03
FINISH	✓	
MATERIAL	SOLID MODEL: 113A930FIG2	



REGAL-BELOIT CORPORATION

TITLE CONNECTION DIAGRAM

SIZE	DRAWING	SCALE: 1.000	REF. No.:	SHEET 1 of 1
A				
113A930FIG2				REV 2