

# PRODUCT INFORMATION PACKET

**marathon**<sup>®</sup>  
Motors

Model No: 5K36MN340

Catalog No: K231

.75 HP General Purpose Motor, 3 phase, 3600 RPM, 200-230/460 V, 56C Frame, TEFC  
Three Phase TEFC Motors



Regal and Marathon are trademarks of Regal Beloit Corporation or one of its affiliated companies.  
©2019 Regal Beloit Corporation, All Rights Reserved. MC017097E

**REGAL**



**Nameplate Specifications**

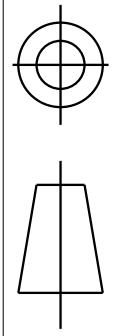
Output HP	.75 Hp	Output KW	.56 kW
Frequency	60 Hz	Voltage	200-230/460 V
Current	2.6-2.6 A	Speed	3450 rpm
Service Factor	1.5	Phase	3
Efficiency	0 %	Duty	CONT
Insulation Class	B	KVA Code	M
Frame	56C	Enclosure	TEFC
Thermal Protection	N/R	Ambient Temperature	40 °C
Drive End Bearing Size	6203	Opp Drive End Bearing Size	6203
UL	Recognized	CSA	Y
CE	N		

**Technical Specifications**

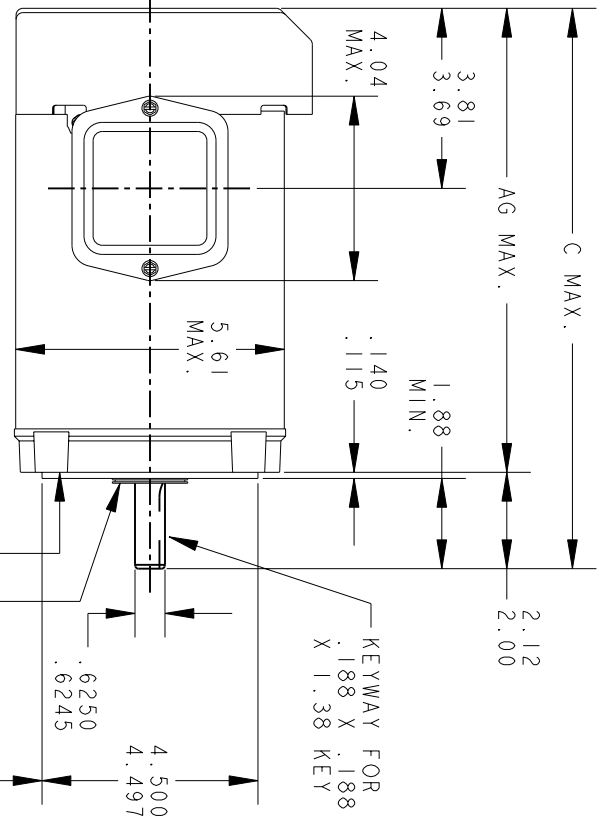
Electrical Type	Three Phase	Starting Method	N/R
Poles	2	Rotation	CCW/CW
Mounting	N/R	Motor Orientation	ANY
Drive End Bearing	BALL	Opp Drive End Bearing	BALL
Overall Length	11.36 in	Frame Length	6.22 in
Shaft Extension	.625 X 1.88 KEY in		

This is an uncontrolled document once printed or downloaded and is subject to change without notice. Date Created:01/11/2019

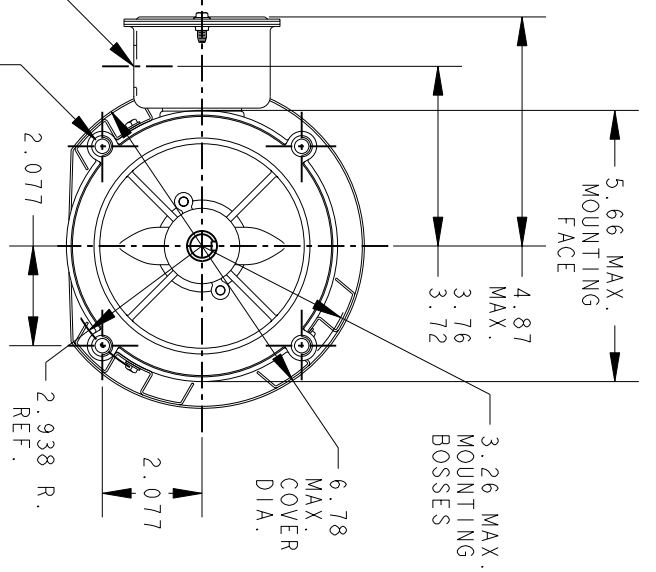
THIRD ANGLE PROJECTION



REV.	DESCRIPTION	DATE	APPROVED
3	REVISED AND REDRAWN	11/09/90	BLJ
4	MADE CHG AS PER 1S05-1876	08/09/05	PRAVEEN.K
5	CHG TO RBC FORMAT PER 1S05-1777	01/04/06	PRAVEEN.K



FACE RUNOUT (WITH INDICATOR MOUNTED STATIONARY RELATIVE TO SHAFT) MUST NOT EXCEED .004 T.I.R.  
 WATER SLINGER (WHEN SPECIFIED)  
 ECCENTRICITY OF THIS SURFACE (WITH INDICATOR MOUNTED STATIONARY RELATIVE TO SHAFT) MUST NOT EXCEED .004 T.I.R.



375-16 UNC-2B (4 HOLES)  
 .82 MIN. FULL THREAD. THESE HOLES FIT A GAGE HAVING A RABBIT 4.5005 DIA. AND 4 PINS .2917 DIA. LOCATED ON THE BASIC HOLE POSITIONS.

P	TYPE	GE SIZE	NEMA FR	C	AG
6	K	38	56C	12.36	10.28
5	K	37	56C	11.76	9.68
4	K	36	56C	11.36	9.28
3	K	35	56C	10.93	8.85
2	K	33	56C	10.55	8.47
1	K	32	56C	10.30	8.22

SIGNATURES		DATE
MODEL	H. OSBORNE	09/06/77
DETAIL		
CHECKED		
ENGRG		
MFG		
APPLIED PRACTICES	QUALITY	
DIMENSIONS ARE IN INCHES	ISSUED	B.L.J. 11/09/90
MATERIAL	SOLID MODEL: 52A102407	



REGAL-BELOTT CORPORATION

OUTLINE

TITLE  
 GENERAL PURPOSE MOTOR - FORM N - TOTALLY ENCLOSED  
 OUTBOARD FAN - R2 END MOUNT - BALL OR SLEEVE BEARING

52A102407

REV 5

SCALE: 0.250 REF. No.: SHEET 1 of 1

RBC PROPRIETARY AND CONFIDENTIAL INFORMATION  
 This document is the property of REGAL-BELOIT CORPORATION ("RBC") including its subsidiaries and divisions and contains proprietary information of RBC. This document is loaned on the express condition that neither the recipient nor any other person shall be permitted to disclose or disseminate the contents of this document to any other person without the prior written consent of RBC. This document shall be returned to RBC upon its request. This document may be subject to certain restrictions under U.S. export control laws and regulations.

REVISIONS			
REV.	DESCRIPTION	DATE	APPROVED
1	CHG TO RBC FORMAT PER IS05-1777	06/15/06	MADHU
2	RENAMED 113A930_FIG-2 TO 113A930FIG2 PER IS07-0972	05/08/07	MADHU

THIRD ANGLE PROJECTION

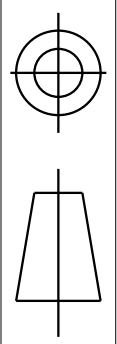
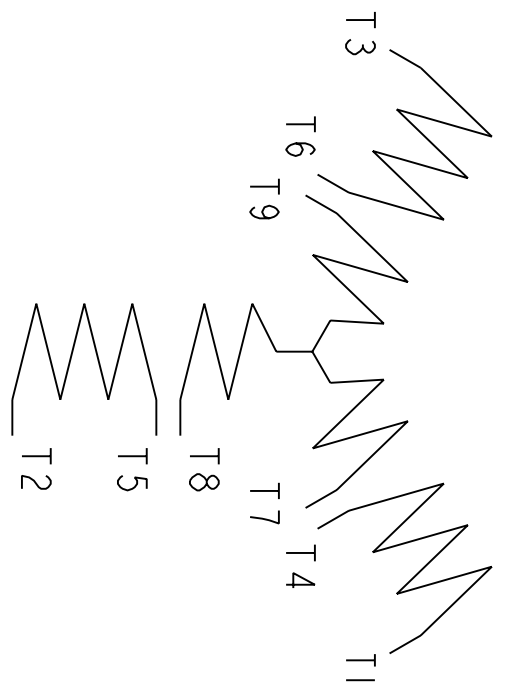


FIG. 2

3 PHASE



	VOLTS	L1	L2	L3	TOGETHER
2Y	LOW	1-7	2-8	3-9	4-5-6
1Y	HIGH	1	2	3	4-7, 5-8, 6-9

BRAKE MOTORS : CONNECT BRAKE LEADS B1 & B2 TO MOTOR LEADS T7 & T8.

FOR ADDITIONAL INFO REFER TO:		SIGNATURES		DATE
APPLIED PRACTICES	MODEL	M.D. PAPER		02/23/03
DIMENSIONS ARE IN INCHES				
TOLERANCE ON:				
1 PL DECIMALS ± 0.1				
2 PL DECIMALS ± 0.02				
3 PL DECIMALS ± 0.005				
ANGLES ± 1.0				
FRACTIONS ±				
FINISH	QUALITY	M.F.G		
	ISSUED	M.D. PAPER		02/23/03
MATERIAL	SOLID MODEL: 113A930FIG2			



REGAL-BELOIT CORPORATION

TITLE CONNECTION DIAGRAM

SIZE	DRAWING	SCALE	1.000	REF. No.	
A					
	113A930FIG2				
REV	2				
SHEET	1 of 1				