

# PRODUCT INFORMATION PACKET

**marathon**<sup>®</sup>  
Motors

Model No: 182TTFBD6031  
Catalog No: GT3110A  
3,1800,TEFC,182JM,3/60/230/460  
JM



Regal and Marathon are trademarks of Regal Beloit Corporation or one of its affiliated companies.  
©2019 Regal Beloit Corporation, All Rights Reserved. MC017097E

**REGAL**<sup>®</sup>



### Nameplate Specifications

Output HP	<b>3 Hp</b>	Output KW	<b>2.2 kW</b>
Frequency	<b>60 Hz</b>	Voltage	<b>230/460 V</b>
Current	<b>8.0/4.0 A</b>	Speed	<b>1762 rpm</b>
Service Factor	<b>1.15</b>	Phase	<b>3</b>
Efficiency	<b>89.5 %</b>	Duty	<b>Continuous</b>
Insulation Class	<b>F</b>	Design Code	<b>B</b>
KVA Code	<b>K</b>	Frame	<b>182JM</b>
Enclosure	<b>Totally Enclosed Fan Cooled</b>	Overload Protector	<b>No</b>
Ambient Temperature	<b>40 °C</b>	Drive End Bearing Size	<b>6307</b>
Opp Drive End Bearing Size	<b>6205</b>	UL	<b>Listed</b>
CSA	<b>Y</b>	CE	<b>Y</b>
IP Code	<b>43</b>		

### Technical Specifications

Electrical Type	<b>Squirrel Cage Inverter Rated</b>	Starting Method	<b>Line Or Inverter</b>
Poles	<b>4</b>	Rotation	<b>Reversible</b>
Mounting	<b>Rigid Base</b>	Motor Orientation	<b>Horizontal</b>
Drive End Bearing	<b>Ball</b>	Opp Drive End Bearing	<b>Ball</b>
Frame Material	<b>Rolled Steel</b>	Shaft Type	<b>JM</b>
Shaft Diameter	<b>1.25 in</b>	Assembly/Box Mounting	<b>F1/F2 CAPABLE</b>
Outline Drawing	<b>SS600202-182JM</b>	Connection Diagram	<b>EE7308</b>

**This is an uncontrolled document once printed or downloaded and is subject to change without notice. Date Created: 02/14/2019**

4

3

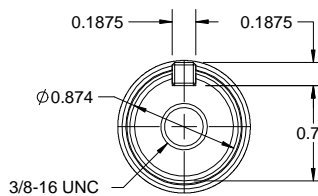
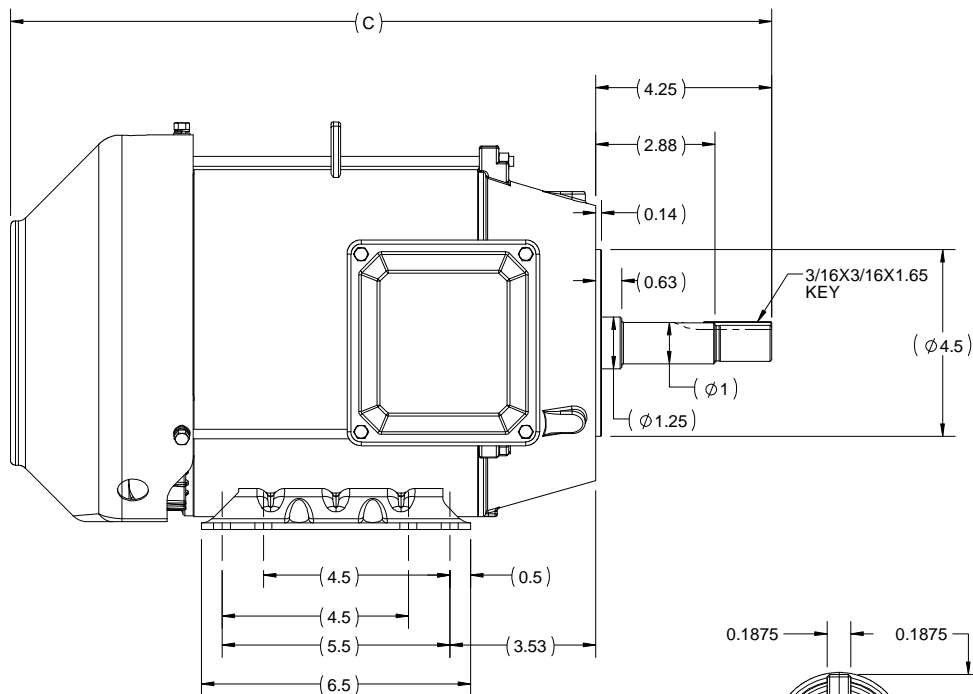
Uncontrolled Copy

2

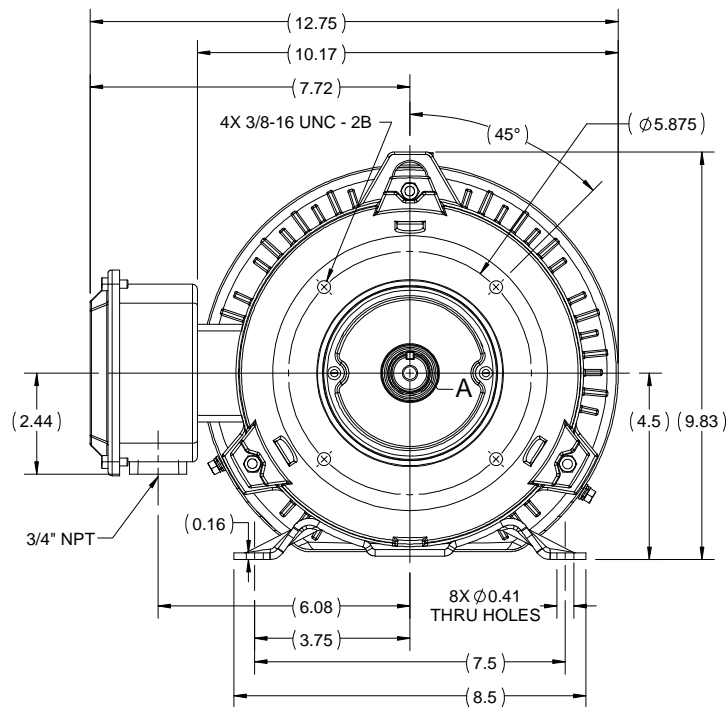
1

B

B



DETAIL A



A

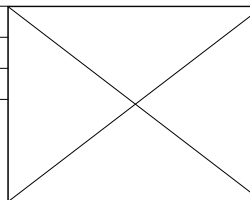
A

182JM	17.4
184JM	18.4
FRAME	C


4

DRAWING REVISION B	REVISION BY VS	DATE 19/06/2018
ECO ECO-0147085	APPROVED BY SBD	DATE 19/06/2018
ECO DESCRIPTION DRAWING UPDATED		
<small>COPYRIGHT REGAL BELOIT AMERICA, INC. ALL RIGHTS RESERVED.          PROPRIETARY AND CONFIDENTIAL INFORMATION - THIS DOCUMENT IS THE PROPERTY OF          REGAL BELOIT AMERICA, INC. (OWNER) AND CONTAINS OWNER'S PROPRIETARY          INFORMATION. ANY PERSON, CORPORATION OR OTHER FIRM RECEIVING IT IS DEEMED,          BY RECEIVING IT, TO AGREE THAT IT, AND/OR ANY PART OF IT, SHALL NOT BE DISCLOSED          TO ANY PERSON, CORPORATION OR OTHER ENTITY, DUPLICATED, AND/OR USED, EXCEPT          AS EXPRESSLY APPROVED IN WRITING IN ADVANCE BY OWNER. THIS DOCUMENT SHALL          BE RETURNED TO OWNER UPON REQUEST. IT MAY BE SUBJECT TO CERTAIN          RESTRICTIONS UNDER APPLICABLE EXPORT CONTROL LAWS AND REGULATIONS.</small>		

3



2

DRAWN BY PRIYA	 Regal Beloit America, Inc.
DATE 08/03/2018	
APPROVED BY SBD	DESCRIPTION <b>OUTLINE</b> 182/184JM FR TEFC RS
DATE 08/03/2018	MATERIAL
REFERENCE	PROCESS/FINISH
THIRD ANGLE PROJECTION	SIZE B
	DRAWING NUMBER SS600202
	SHEET 1 OF 1

1

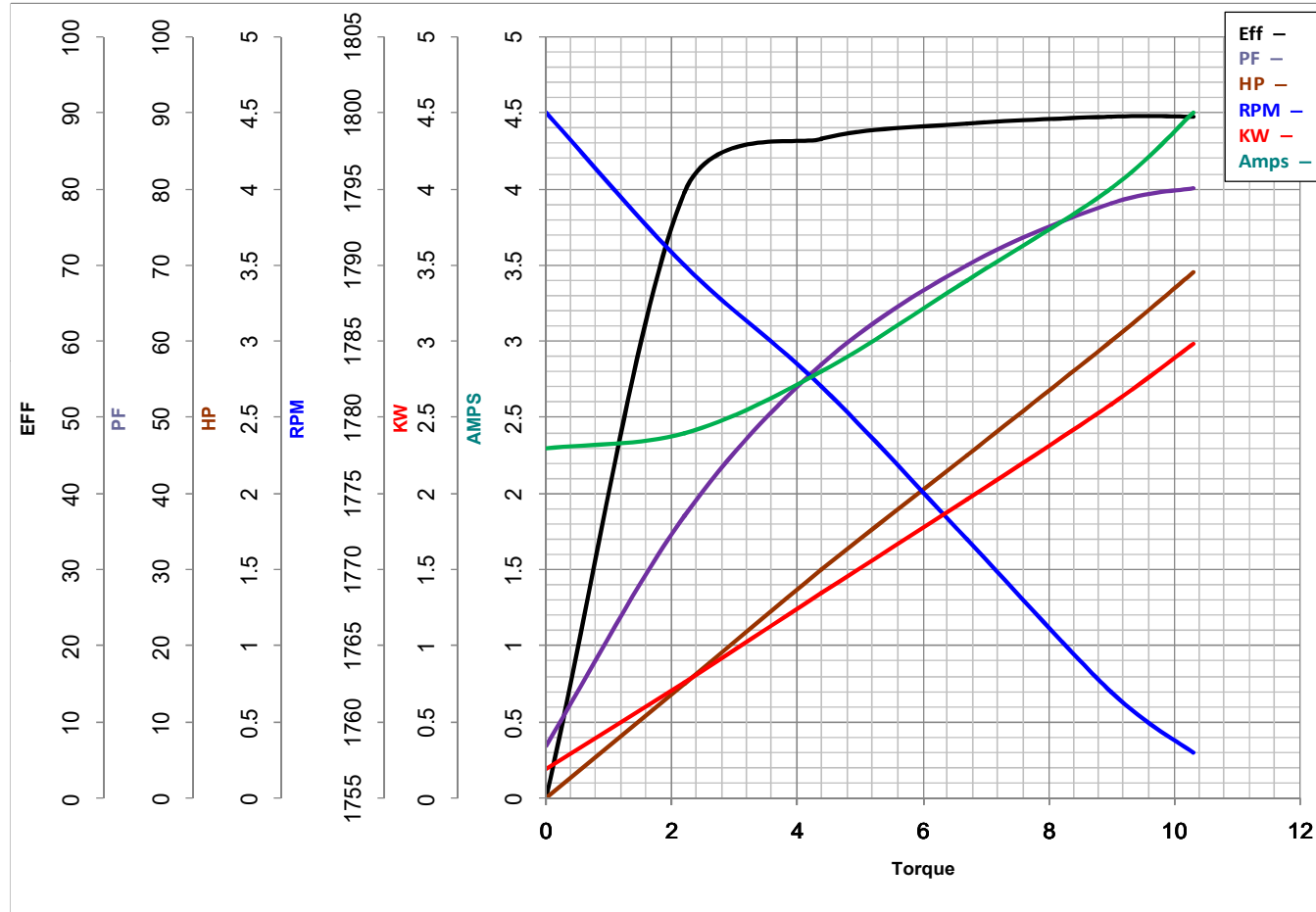


				TOLERANCES UNLESS SPECIFIED		<b>Regal Beloit America, Inc.</b>		DRAWN RM 11/20/1990		
				DEC.	INCHES			CHK	ML 11/21/1990	
5	CHG TO REGAL LOGO	SL	09/10/2015	AB				APPD	SAS 04/24/2003	
4	REVISED IEC NOTATIONS	MSG	11/15/2011	CMN	.X	±.1		SCALE	1=1	
3	ADDED IEC NOTATIONS... (U1), (V1) ETC. MU95194	MSG	5/10/2010	MJS	.XX	±.02	TITLE	CONNECTION DIAGRAM		
2	ADDED THE OPTIONAL CORD CONNECTION MU46318	RDH	04/24/2003	DRS	.XXX	±.005		3Ø - DUAL VOLTAGE MOTOR		
1	REDRAWN	RM	11/20/1990		.XXXX	±.0005	MAT'L.	REF		
NO.	REVISION	BY & DATE		CHK	ANG	±7'30"	FINISH	FMF		
THIS DRAWING IN DESIGN AND DETAIL IS OUR PROPERTY AND MUST NOT BE USED EXCEPT IN CONNECTION WITH OUR WORK ALL RIGHTS OF DESIGN AND INVENTION ARE RESERVED THIS IS AN ELECTRONICALLY GENERATED DOCUMENT - DO NOT SCALE THIS PRINT				RFP	CAD FILE ee7308			SIZE	DRAWING NO. PAGE OF	REV.
				DIST	WP			A	EE7308	5



**MARATHON ELECTRIC CORPORATION**  
TYPICAL PERFORMANCE CURVE for AC MOTOR

Customer \_\_\_\_\_ Curve at 460 Volts HP 3&2 PHASE 3  
 Model No 182TTFBD6031 60 HZ 3 HP VOLTS 230/460&190/380  
 Catalog No GT3110A HZ 60&50 RPM 1762&1468



			Torque in Lb.Ft	
FL TORQUE	<u>9</u>	Lb.Ft	FL AMPS	<u>8/4.6.8/3.4</u>
BD TORQUE	<u>29.0</u>	Lb.Ft	PU TORQUE	<u>17.0</u> Lb.Ft
LR TORQUE	<u>20</u>	Lb.Ft	LR AMPS	<u>32</u>
WINDING	HE31124021-3		Date	<u>1/4/2019</u>