

PRODUCT INFORMATION PACKET

marathon[®]
Motors

Model No: 182TTFBD6006
Catalog No: GT3109A
3,3600,TEFC,182JM,3/60/230/460
JM



Regal and Marathon are trademarks of Regal Beloit Corporation or one of its affiliated companies.
©2019 Regal Beloit Corporation, All Rights Reserved. MC017097E

REGAL[®]



Nameplate Specifications

Output HP	3 Hp	Output KW	2.2 kW
Frequency	60 Hz	Voltage	230/460 V
Current	8.0/4.0 A	Speed	3522 rpm
Service Factor	1.15	Phase	3
Efficiency	86.5 %	Duty	Continuous
Insulation Class	F	Design Code	B
KVA Code	J	Frame	182JM
Enclosure	Totally Enclosed Fan Cooled	Overload Protector	No
Ambient Temperature	40 °C	Drive End Bearing Size	6307
Opp Drive End Bearing Size	6205	UL	Listed
CSA	Y	CE	Y
IP Code	43		

Technical Specifications

Electrical Type	Squirrel Cage Inverter Rated	Starting Method	Line Or Inverter
Poles	2	Rotation	Reversible
Mounting	Rigid Base	Motor Orientation	Horizontal
Drive End Bearing	Ball	Opp Drive End Bearing	Ball
Frame Material	Rolled Steel	Shaft Type	JM
Shaft Diameter	1.25 in	Assembly/Box Mounting	F1/F2 CAPABLE
Outline Drawing	SS600202-182JM	Connection Diagram	EE7308

This is an uncontrolled document once printed or downloaded and is subject to change without notice. Date Created: 02/14/2019

4

3

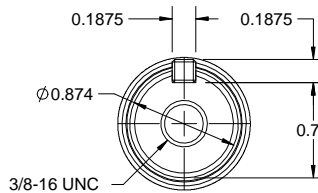
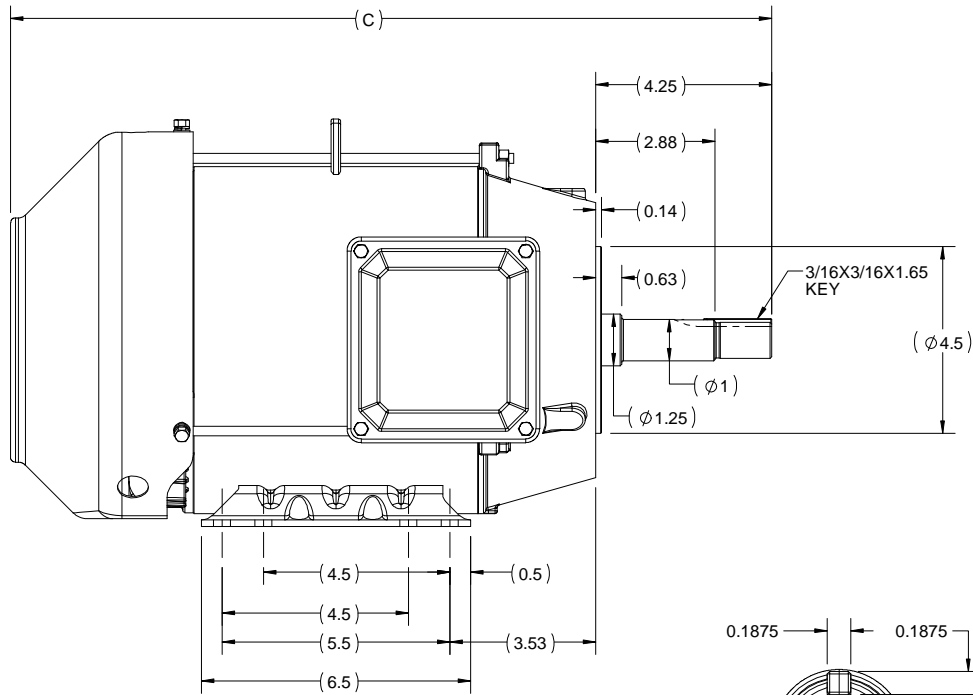
Uncontrolled Copy

2

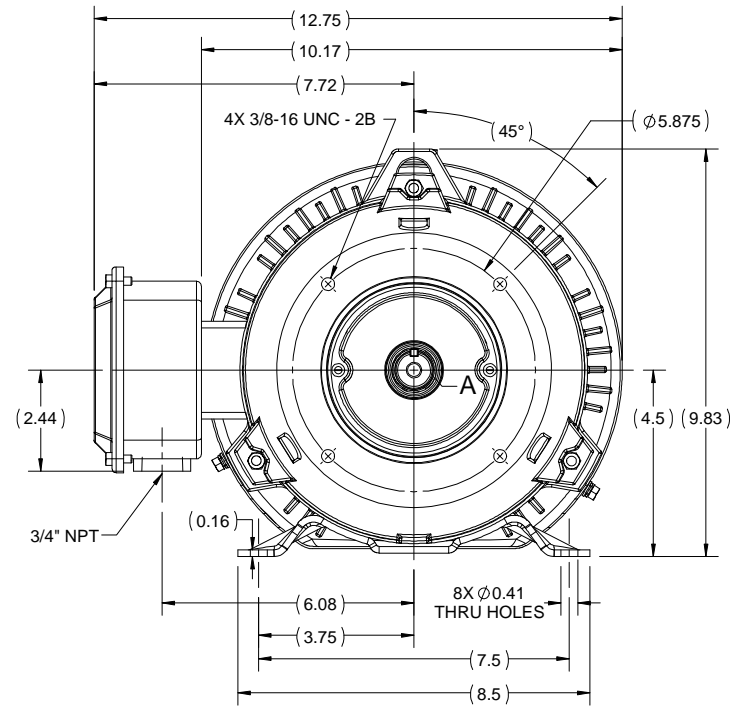
1

B

B



DETAIL A



A

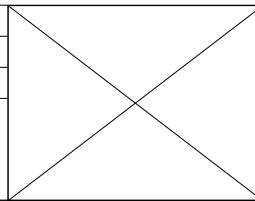
A

182JM	17.4
184JM	18.4
FRAME	C


4

DRAWING REVISION B	REVISION BY VS	DATE 19/06/2018
ECO ECO-0147085	APPROVED BY SBD	DATE 19/06/2018
ECO DESCRIPTION DRAWING UPDATED		
<small>COPYRIGHT REGAL BELOIT AMERICA, INC. ALL RIGHTS RESERVED. PROPRIETARY AND CONFIDENTIAL INFORMATION - THIS DOCUMENT IS THE PROPERTY OF REGAL BELOIT AMERICA, INC. (OWNER) AND CONTAINS OWNER'S PROPRIETARY INFORMATION. ANY PERSON, CORPORATION OR OTHER FIRM RECEIVING IT IS DEEMED, BY RECEIVING IT, TO AGREE THAT IT, AND/OR ANY PART OF IT, SHALL NOT BE DISCLOSED TO ANY PERSON, CORPORATION OR OTHER ENTITY, DUPLICATED, AND/OR USED, EXCEPT AS EXPRESSLY APPROVED IN WRITING IN ADVANCE BY OWNER. THIS DOCUMENT SHALL BE RETURNED TO OWNER UPON REQUEST. IT MAY BE SUBJECT TO CERTAIN RESTRICTIONS UNDER APPLICABLE EXPORT CONTROL LAWS AND REGULATIONS.</small>		

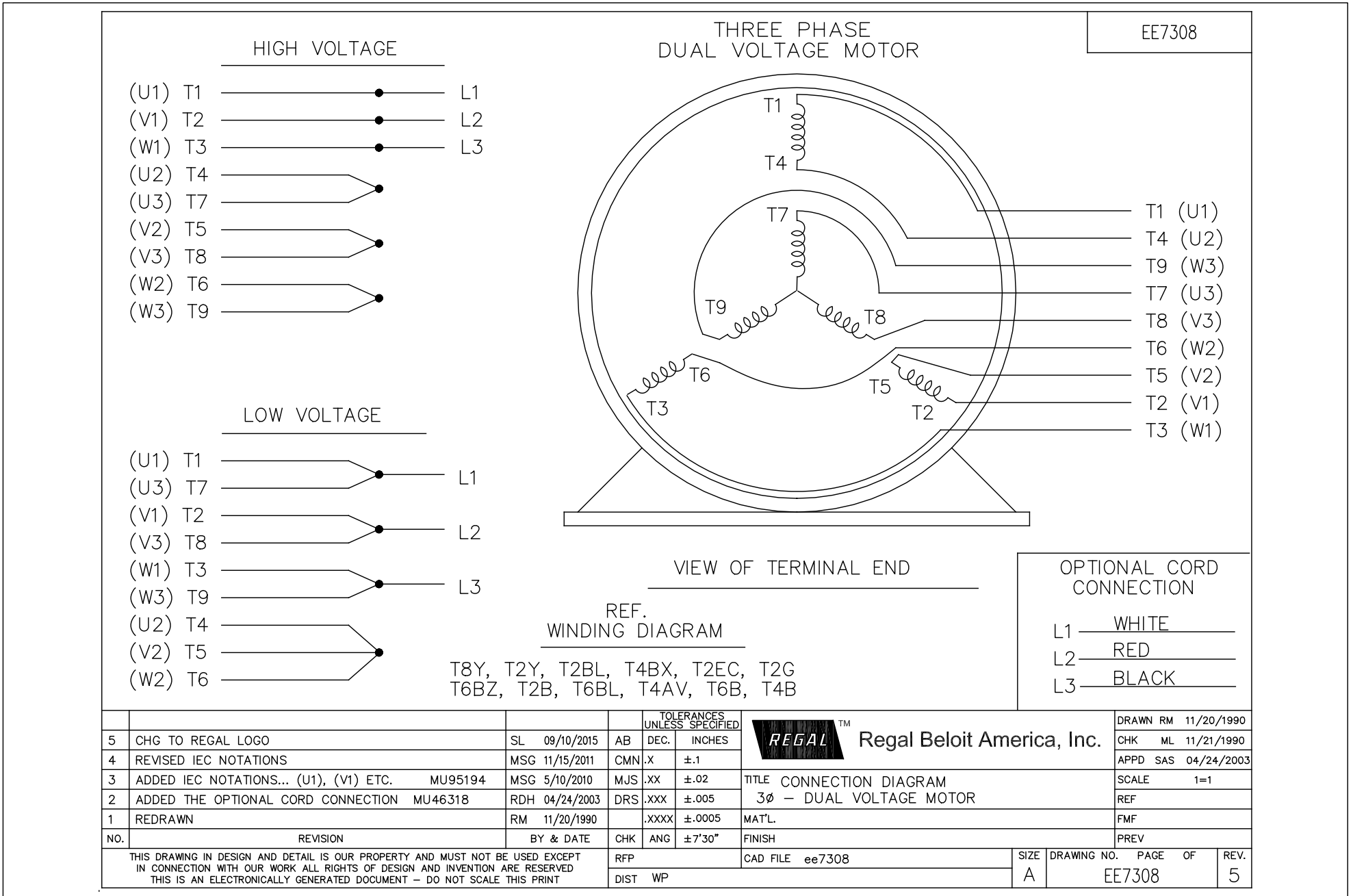
3



2

DRAWN BY PRIYA	 Regal Beloit America, Inc.
DATE 08/03/2018	
APPROVED BY SBD	DESCRIPTION OUTLINE 182/184JM FR TEFC RS
DATE 08/03/2018	MATERIAL
REFERENCE	PROCESS/FINISH
THIRD ANGLE PROJECTION	SIZE B
	DRAWING NUMBER SS600202
	SHEET 1 OF 1

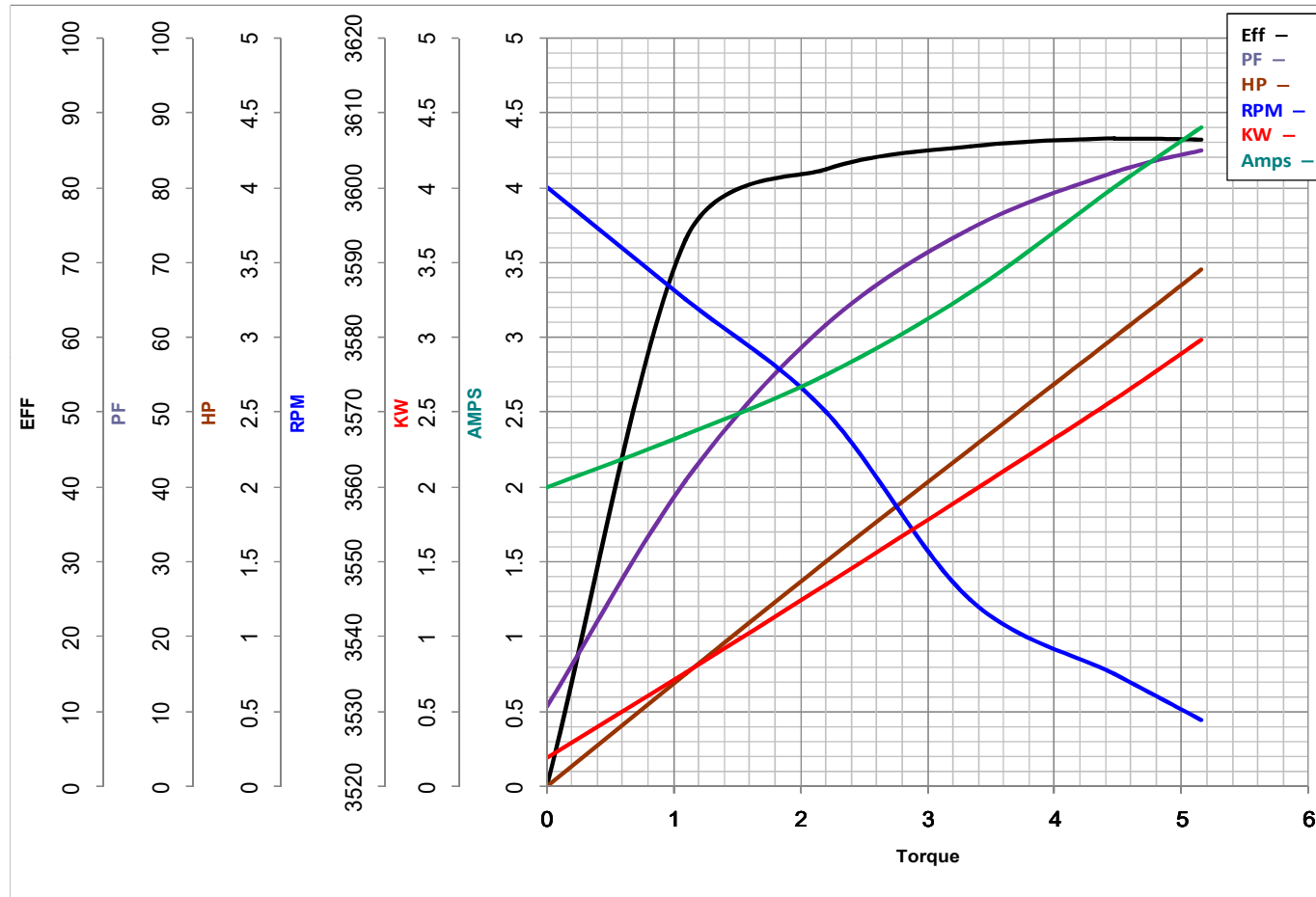
1





MARATHON ELECTRIC CORPORATION
TYPICAL PERFORMANCE CURVE for AC MOTOR

Customer _____ Curve at 460 Volts HP 3&2 PHASE 3
 Model No 182TTFBD6006 60 HZ
3 HP VOLTS 230/460&190/380
 Catalog No GT3109A HZ 60&50 RPM 3522&2935



		Torque in Lb.Ft	
FL TORQUE	<u>4.475</u> Lb.Ft	FL AMPS	<u>8/4.6.8/3.4</u>
BD TORQUE	<u>16.0</u> Lb.Ft	PU TORQUE	<u>8.0</u> Lb.Ft
LR TORQUE	<u>9</u> Lb.Ft	LR AMPS	<u>32</u>
WINDING	HE31122014-3	Date	1/4/2019