

PRODUCT INFORMATION PACKET

marathon[®]
Motors

Model No: 145TTWR16029
Catalog No: N629A
1.5, 1800, TEFC, 145TC, 3/60/575
General Purpose



Regal and Marathon are trademarks of Regal Beloit Corporation or one of its affiliated companies.
©2018 Regal Beloit Corporation, All Rights Reserved. MC017097E

REGAL[®]



Nameplate Specifications

Output HP	1.50 Hp	Output KW	1.1 kW
Frequency	60 Hz	Voltage	575 V
Current	1.9 A	Speed	1750 rpm
Service Factor	1.15	Phase	3
Efficiency	86.5 %	Duty	Continuous
Insulation Class	F	Design Code	B
KVA Code	L	Frame	145TC
Enclosure	Totally Enclosed Fan Cooled	Overload Protector	No
Ambient Temperature	40 °C	Drive End Bearing Size	6205
Opp Drive End Bearing Size	6203	UL	Recognized
CSA	Y	CE	Y
IP Code	55		

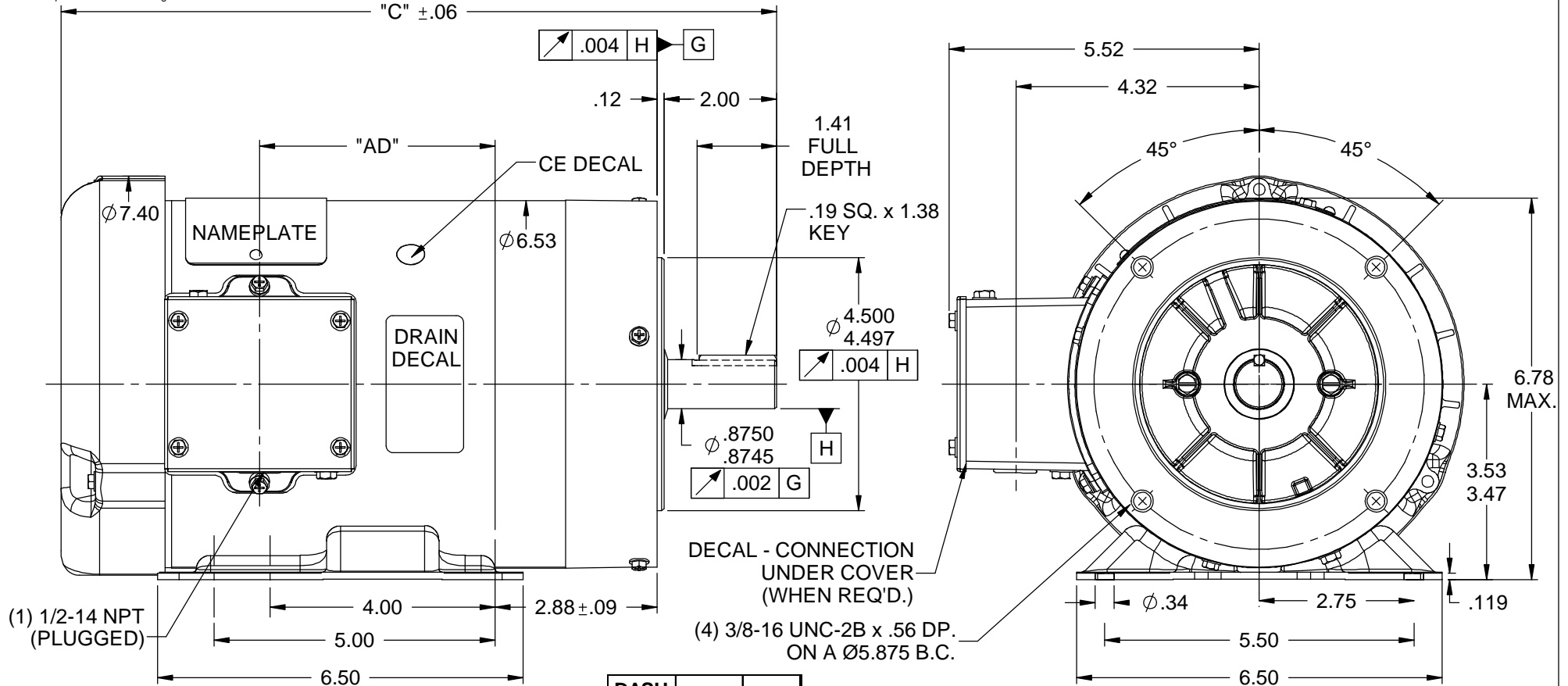
Technical Specifications

Electrical Type	Squirrel Cage Inverter Rated	Starting Method	Line Or Inverter
Poles	4	Rotation	Reversible
Mounting	Rigid base	Motor Orientation	HORIZONTAL
Drive End Bearing	BALL	Opp Drive End Bearing	BALL
Frame Material	Rolled Steel	Shaft Type	T
Overall Length	13.22 in	Frame Length	7.50 in
Shaft Diameter	0.875 in	Shaft Extension	2.00 in
Assembly/Box Mounting	F1 ONLY		
Outline Drawing	028811ME-750	Connection Diagram	005102.01

This is an uncontrolled document once printed or downloaded and is subject to change without notice. Date Created: 10/30/2018

RBC PROPRIETARY AND CONFIDENTIAL INFORMATION

This document is the property of REGAL BELOIT CORPORATION ("RBC") including its subsidiaries and divisions and contains proprietary information of RBC. This document is loaned on the express condition that neither it nor the information contained therein shall be disclosed to others without the express written consent of RBC, and that the information shall be used by the recipient only as approved expressly by RBC. This document shall be returned to RBC upon its request. This document may be subject to certain restrictions under U.S. export control laws and regulations.



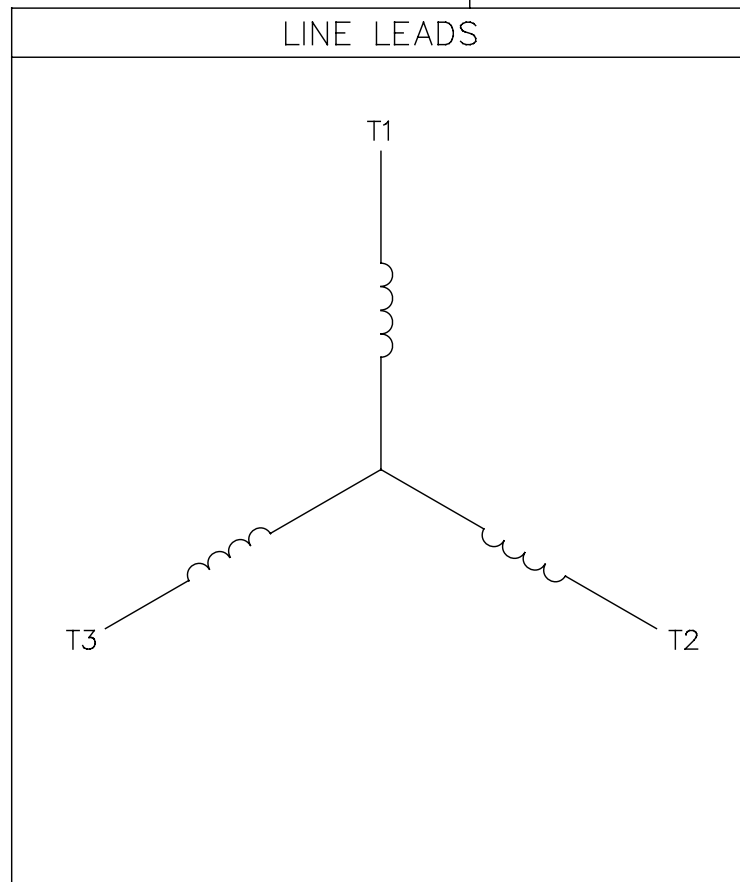
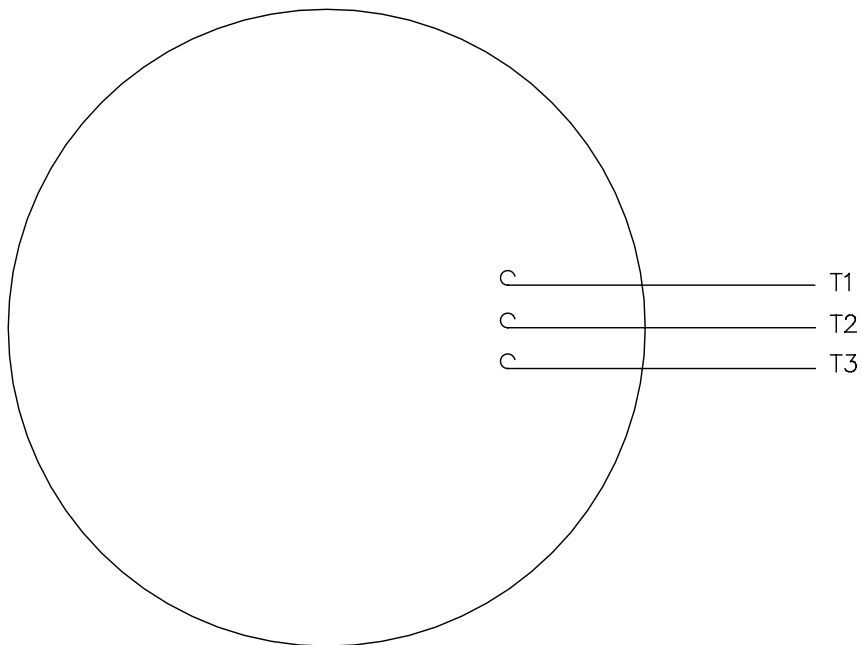
- NOTES:
- 1) SHAFT SEALS & V-RING.
 - 2) PLUGGED DRAIN HOLES IN ENDBELLS & CONDUIT BOX.
 - 3) GASKETS THROUGHOUT.
 - 4) STAINLESS STEEL SHAFT, HARDWARE, & NAMEPLATE

DASH NO.	"C"	"AD"
700	12.72	4.19
750	13.22	4.69
775	13.47	4.94
800	13.72	5.19

		TOLERANCES UNLESS SPECIFIED		MARATHON ELECTRIC	DRAWN VS 02/03/09		
		DEC	INCHES		CHK		
		.X	±.1	TITLE OUTLINE - 140TC FRAME TEFC - RIGID "C"	APPR VS 02/03/09		
		.XX	±.03		SCALE 3:8		
02	ADDED ITEM # 775 (145TTWR15503)	VS 04-09-2012	.XXX		±.005	REF 028811	
01	REMOVED KNOCKOUTS FROM BOX COVER ISAAC 10-3213	SAD 7/27/2010	GWS.XXXX		±.0005	FMF 145TTWR14002	
NO	REVISION	BY & DATE	CHK ANG		±1/2°	PAGE OF	
THIRD ANGLE PROJECTION				RFP	PREV	SIZE	
				NETWORK FILE NAME	028811ME	DRAWING NO	
						028811ME	
						REV	
						02	

005102-01

VIEW FROM OUTSIDE OF MOTOR AT SWITCH END.



CONNECT LEADS AS FOLLOWS
FOR FOUR CONDUCTOR CORD ()

CORD	L1 (RED)	L2 (WHITE)	L3 (BLACK)	(GREEN)
MOTOR	T1	T2	T3	GROUND

				TOLERANCES UNLESS SPECIFIED		Regal Beloit America, Inc.			DRAWN JRW 9/11/75	
				DEC.	INCHES				CHK	
				.X	±.1	EXTERNAL WIRING DIAGRAM TYPE "T" W/O PROTECTOR		APPD JCW 9/11/75		
08	UPDATED TO REGAL LOGO	SAJ 06/26/15	AJY .XX	±.01	SCALE 1=1					
07	UPDATED TO CURRENT STANDARDS	DBT 5/30/97	.XXX	±.005	REF W-T6343-6					
06	REDRAWN ON CAD; ADDED DECAL NUMBER	SAW 1/24/95	.XXXX	±.0005	FMF 6T17FB7					
NO.	REVISION	BY & DATE	CHK	ANG	±1/2"	FINISH	PREV			
THIS DRAWING IN DESIGN AND DETAIL IS OUR PROPERTY AND MUST NOT BE USED EXCEPT IN CONNECTION WITH OUR WORK ALL RIGHTS OF DESIGN AND INVENTION ARE RESERVED THIS IS AN ELECTRONICALLY GENERATED DOCUMENT - DO NOT SCALE THIS PRINT				RFP	5/1/02	CAD FILE	00510201	SIZE	DRAWING NO.	REV.
				DIST	BRF-NLV	A	005102-01	08		



P.O. BOX 8003
WAUSAU, WI 54401-8003
PH. 715-675-3311

DATA VOLTS: 460

CERTIFICATION DATA SHEET

CUSTOMER P.O. #:
 ORDER #: 005102.01
 REFERENCE MODEL #: 145TTWR16029
 CONN. DIAGRAM: 028811ME-750
 CAT #: N629A
 OUTLINE: T634341
 CUSTOMER PART #:
 WINDING: FR 4
 MOUNTING: F1 ONLY
 SPEED:
 TYPICAL MOTOR PERFORMANCE DATA

HP	KW	SYNC RPM	FL RPM	FRAME	ENCLOSURE	TYPE	KVA CODE	DESIGN
1.5	1.1	1800	1750	145TC	TEFC	TFR	L	B

PH	HZ	VOLTS	AMPS	START TYPE	DUTY	INSL	S.F.	AMB	ELEV.
3	60	575	1.9	LINE OR INVERTER	CONT	F	1.15	40	3300
F.L. EFF		86.5	3/4 LD EFF	87.2	1/2 LD EFF	84.0	GTD EFF	ELECT. TYPE	
F.L. PF		67.7	3/4 LD PF	63.0	1/2 LD PF	55.0	0.0	SO CAGE INV BATED	

F.L. TORQUE	LR AMPS @ 460 V	L.R. TORQUE	B.D. TORQUE	F.L. RISE (°C)
4.5 LB-FT	14.8	17.2 LB-FT	20.4 LB-FT	45
@ 3 FT. DBA		POWER	ROTOR WK ²	MAX. LOAD WK ²
65 DBA		74 DBA	0.14 LB-FT ²	0.1 LB-FT ²
		SAFE STALL TIME	START/SHOUR	MOTOR WGT
		3		0 LB.

*** SUPPLEMENTAL INFORMATION ***

DE BRACKET TYPE	ODE BRACKET TYPE	MOUNT TYPE	MOTOR ORIENTATION	SEVERE DUTY	HAZARDOUS LOCATION	DRIP COVER	SCREENS	PAINT
C-FACE	STANDARD	RIGID	HORIZONTAL	NO	NONE	NO	NONE	HTE - LEESSON (EPO)

BEARINGS	GREASE	SHAFT TYPE	SPECIAL DE	SPECIAL ODE	SHAFT MATERIAL	FRAME MATERIAL
DE BALL 6205	POLYREX EM	T	NONE	NONE	303 STAINLESS (C-501)	ROLLED STEEL

THERMOSTATS	PROTECTORS	WDG RTD's	BRG RTD's	THERMISTORS	CONTROL	SPACE HEATERS
NONE	NOT	NONE	NONE	NONE	FALSE	NA

R1 (ohms/ph)	R2 (ohms/ph)	X1 (ohms/ph)	X2 (ohms/ph)	Xm (ohms/ph)	VIBRATION (in/sec)	FLOAT
0	0	0	0	0	0.150	ODE

INVERTER TORQUE: CONSTANT 1000:1
 INV. HP SPEED RANGE: NONE
 ENCODER: NONE
 BRAKE: NONE
 FT-LB: NA
 VOLTAGE: NONE
 HZ: NONE PPR

PREPARED BY: FAREEDA DUDEKULA
 DATE: 9/17/2018
 FORM: 3531 REV 4 2/27/06
 UL: V/INS, CONST UL REC

Data Sheet

145TWR16029



Submital
Data @ 575 V

Date: 9/17/2018
 Customer: _____
 Attention: _____
 Submitted by: FAREEDA DUDEKULA

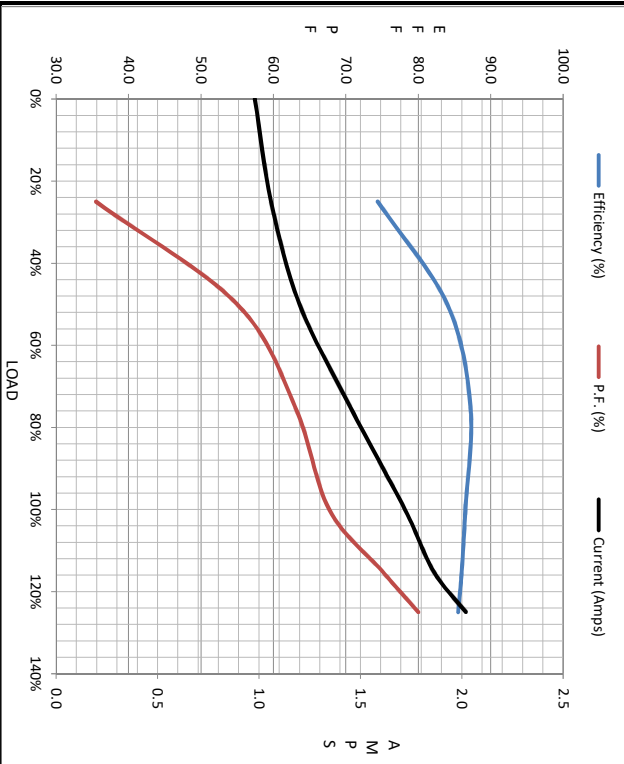
Load	0%	25%	50%	75%	100%	115%	125%	LR
Current (Amps)	0.98	1.06	1.20	1.45	1.72	1.86	2.02	14.8
Torque (ft-lb)	0.00	1.10	1.25	2.25	3.4	5.2	5.6	17.2
RPM	1800	1785	1772	1760	1750	1738	1732	0
Efficiency (%)		74.4	84.0	87.2	86.5	86.0	85.5	
P.F. (%)	9.9	35.5	55.0	63.0	67.7	75.0	80.0	48.0

Motor Speed Data

	LR	Pull-Up	BD	Rated	Idle
Speed (RPM)	0	900	1600	1750	1800
Current (Amps)	14.8	12.9	9.7	1.72	0.98
Torque (ft-lb)	17.2	16.0	20.4	4.5	0.00

Information Block

HP	1.5				
Sync. RPM	1800				
Frame	140182TFC080				
Enclosure	TEFC				
Construction	TFR				
Voltage	575 V				
Frequency	60 HZ				
Design	B				
LR Code letter	L				
Service Factor	1.15				
Temp Rise @ FL	45 °C				
Duty	CONT				
Ambient	40 °C				
Elevation	1,000 feet				
Rotor/Shaft wk ^e	0.14 Lb-Ft ^e				
Ret Wdg	T634341 FR				
Sound Pressure @ 1M	65 dBA				
VFD Rating	CONSTANT 1000:1				
Outline Dwg	028811ME-750				
Conn. Diag	005102.01				
Additional Specifications:					
0					
0					
	EQUIV CKT (OHMS / PHASE)				
	R1	R2	X1	X2	Xm
	0.0000	0.0000	0.0000	0.0000	0.0000



Speed - Torque Curve

