

PRODUCT INFORMATION PACKET

marathon®
Motors

Model No: 145TTVR5030

Catalog No: N629

1.50 HP Washdown Motor, 3 phase, 1800 RPM, 575 V, 145TC Frame, TENV
Washdown Duty Motors



Regal and Marathon are trademarks of Regal Beloit Corporation or one of its affiliated companies.
©2019 Regal Beloit Corporation, All Rights Reserved. MC017097E

REGAL



Nameplate Specifications

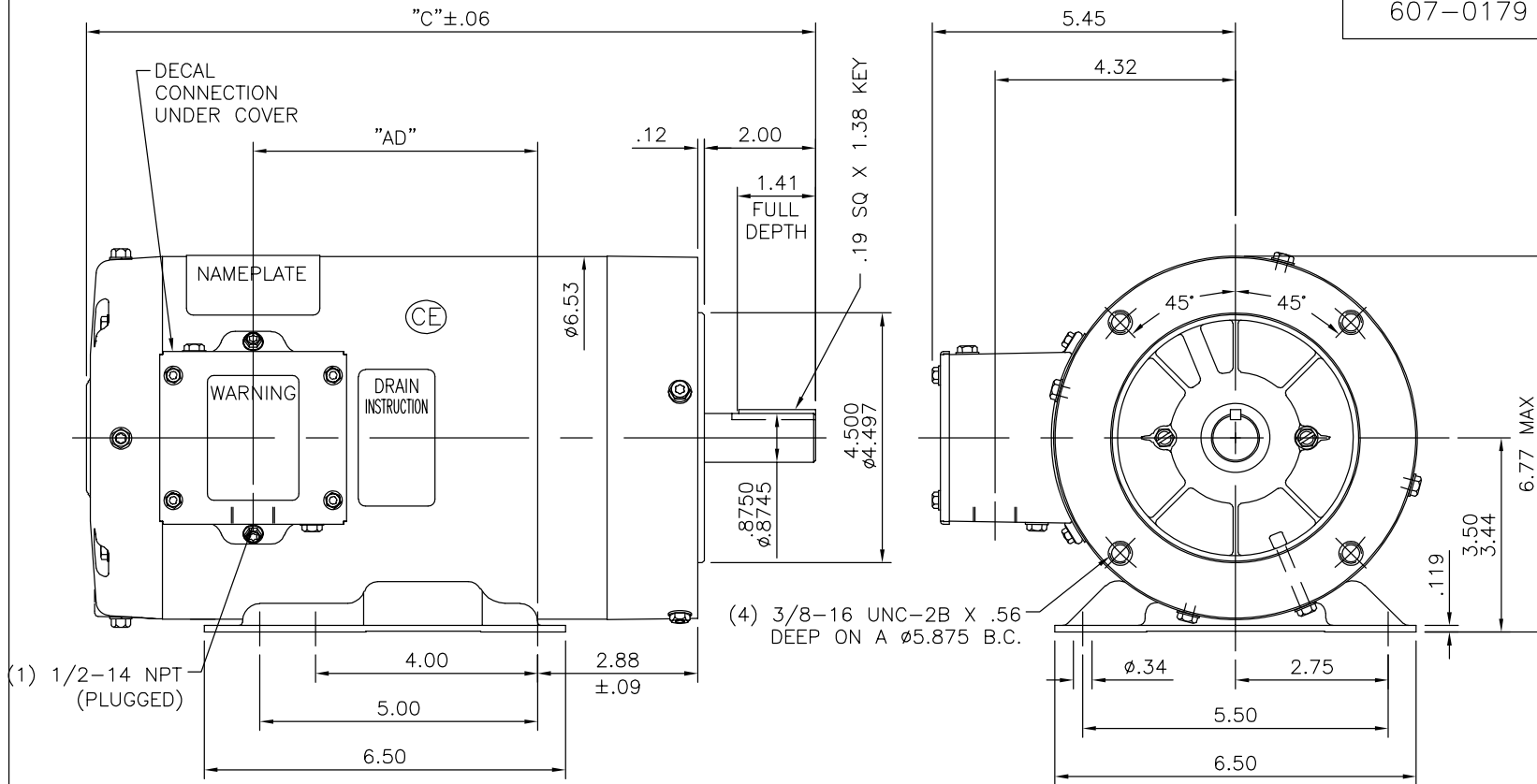
Output HP	1.50 Hp	Output KW	1.1 kW
Frequency	60 Hz	Voltage	575 V
Current	1.8 A	Speed	1750 rpm
Service Factor	1.15	Phase	3
Efficiency	84 %	Power Factor	67.5
Duty	Continuous	Insulation Class	F
Design Code	B	KVA Code	K
Frame	145TC	Enclosure	Totally Enclosed Non Ventilated
Thermal Protection	No	Ambient Temperature	40 °C
Drive End Bearing Size	6205	Opp Drive End Bearing Size	6203
UL	Recognized	CSA	N
CE	Y	IP Code	55

Technical Specifications

Electrical Type	Squirrel Cage Inverter Rated	Starting Method	Line Or Inverter
Poles	4	Rotation	Reversible
Resistance Main	14.54 Ohms	Mounting	Rigid Base
Motor Orientation	Horizontal	Drive End Bearing	Ball
Opp Drive End Bearing	Ball	Frame Material	Rolled Steel
Shaft Type	T	Overall Length	13.12 in
Frame Length	8.00 in	Shaft Diameter	0.875 in
Shaft Extension	2.12 in	Assembly/Box Mounting	F1 ONLY

This is an uncontrolled document once printed or downloaded and is subject to change without notice. Date Created:01/11/2019

607-0179



SPECIAL FEATURES:

- 1) SHAFT SEAL & V-RING
- 2) PLUGGED DRAIN HOLES IN BOTH ENDBELLS & CONDUIT BOX
- 3) GASKETS THROUGHOUT
- 4) STAINLESS STEEL SHAFT, HARDWARE & NAMEPLATE

DASH NO.	"C"	"AD"
700	12.12	4.13
750	12.62	4.63
800	13.12	5.13

MAXIMUM FACE RUNOUT .004 T.I.R.
 MAXIMUM PILOT ECCENTRICITY .004 T.I.R.
 PERMISSIBLE SHAFT RUNOUT .002 T.I.R.

		TOLERANCES UNLESS SPECIFIED		MARATHON ELECTRIC		DRAWN JD 09/02/2014	
		DEC.	INCHES			CHK	
		.X	±.1			APPD	
		.XX	±.03	TITLE		SCALE 3=8	
		.XXX	±.005	OUTLINE - 145TC FRAME		REF 034965	
		.XXXX	±.0005	TENV - RIGID "C"		FMF 145TTVR5030	
00	NEW RELEASE	CHK	ANG ±1/2°	FINISH		PREV	
NO.	REVISION	BY & DATE	RFP	CAD FILE	607-0179	SIZE	DRAWING NO.
THIS DRAWING IN DESIGN AND DETAIL IS OUR PROPERTY AND MUST NOT BE USED EXCEPT IN CONNECTION WITH OUR WORK ALL RIGHTS OF DESIGN AND INVENTION ARE RESERVED THIS IS AN ELECTRONICALLY GENERATED DOCUMENT - DO NOT SCALE THIS PRINT			DIST			A	607-0179
							REV. 00