

# PRODUCT INFORMATION PACKET

**marathon**<sup>®</sup>  
Motors

Model No: 090ST17FH6327  
Catalog No: R416A  
1 1/2, 1800, TEFC, 90S, 3/60/575  
TEFC



Regal and Marathon are trademarks of Regal Beloit Corporation or one of its affiliated companies.

©2018 Regal Beloit Corporation, All Rights Reserved. MC017097E

**REGAL**<sup>®</sup>



### Nameplate Specifications

Output HP	<b>1.50 Hp</b>	Output KW	<b>1.1 kW</b>
Frequency	<b>60 Hz</b>	Voltage	<b>575 V</b>
Current	<b>1.8 A</b>	Speed	<b>1745 rpm</b>
Service Factor	<b>1.15</b>	Phase	<b>3</b>
Efficiency	<b>86.5 %</b>	Duty	<b>Continuous</b>
Insulation Class	<b>F</b>	Design Code	<b>NO DESIGN CODE</b>
KVA Code	<b>K</b>	Frame	<b>90S</b>
Enclosure	<b>Totally Enclosed Fan Cooled</b>	Overload Protector	<b>No</b>
Ambient Temperature	<b>40 °C</b>	Drive End Bearing Size	<b>6205</b>
Opp Drive End Bearing Size	<b>6205</b>	UL	<b>Recognized</b>
CSA	<b>Y</b>	CE	<b>Y</b>
IP Code	<b>55</b>		

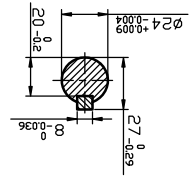
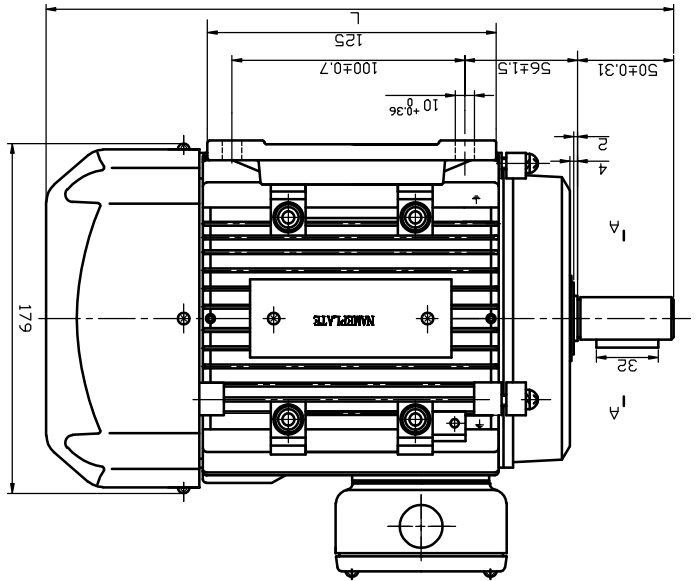
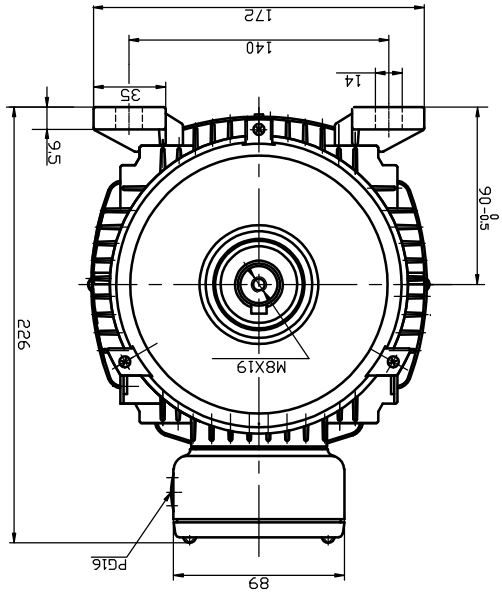
### Technical Specifications

Electrical Type	<b>Squirrel Cage Induction Run</b>	Starting Method	<b>Across The Line</b>
Poles	<b>4</b>	Rotation	<b>Reversible</b>
Mounting	<b>Rigid base</b>	Motor Orientation	<b>Horizontal</b>
Drive End Bearing	<b>Ball</b>	Opp Drive End Bearing	<b>Ball</b>
Frame Material	<b>Aluminum</b>	Shaft Type	<b>IEC</b>
Overall Length	<b>12.83 in</b>	Shaft Diameter	<b>1.000 in</b>
Shaft Extension	<b>1.96 in</b>	Assembly/Box Mounting	<b>F3</b>
Outline Drawing	<b>039074</b>	Connection Diagram	<b>00546801ME</b>

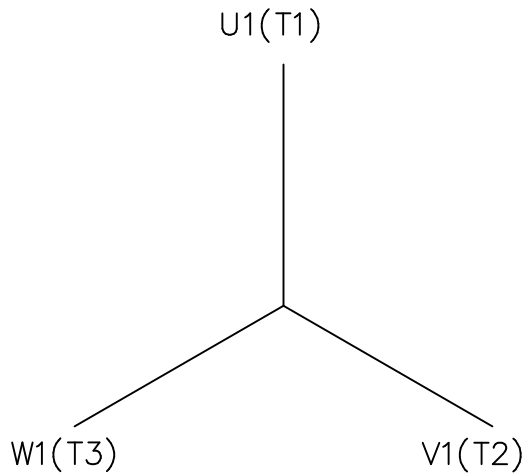
This is an uncontrolled document once printed or downloaded and is subject to change without notice. Date Created: 06/29/2018

REV.		DRAWING NO.		039074	
FINISH		SMC			
MTRL.					
TITLE		OUTLINE			
DRAWN		VX 16/12/01			
APPR.		±.76			
R.F.P.		±.127			
SCALE		±.0127			
REF.		±1/64			
FHF.		±1/2"			
TOLERANCES UNLESS OTHERWISE SPECIFIED		DEC. INCHES METRIC			
X		±.1			
XX		±.03			
XXX		±.005			
XXXX		±.0005			
FRACTIONS		±1/64			
ANGLES		±1/2"			
BY & DATE		CHK'D			
REVISION					
THIS DRAWING IN DESIGN AND DETAIL IS OUR PROPERTY AND MUST NOT BE USED EXCEPT IN CONNECTION WITH OUR WORK ALL RIGHTS OF DESIGN AND INVENTION ARE RESERVED		THIS IS AN ELECTRONICALLY GENERATED DOCUMENT - DO NOT SCALE THIS PRINT			

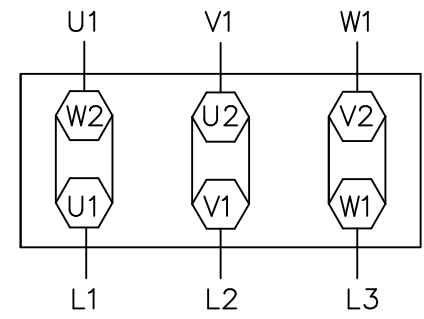
REGAL BELOIT CORP.



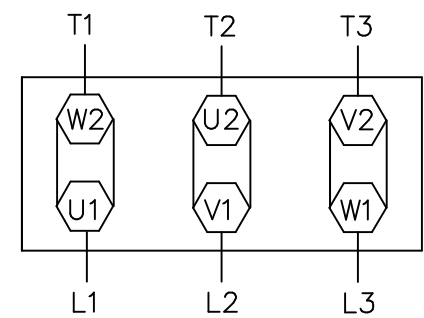
Uncontrolled Copy



IEC MARKINGS



NEMA MARKINGS



TO REVERSE ROTATION  
INTERCHANGE ANY TWO  
LINE LEADS

		TOLERANCES UNLESS SPECIFIED	
		DEC.	INCHES
		.X	±.1
		.XX	±.01
		.XXX	±.005
		.XXXX	±.0005
NO.	REVISION	BY & DATE	CHK
			ANG ±1/2°



TITLE: EXTERNAL WIRING DIAGRAM  
TYPE "T" W/O PROT W/TERM. BLOCK

MAT'L:

FINISH:

DRAWN	JGO 3/10/04
CHK	
APPD	
SCALE	3=4
REF	
FMF	
PREV	

THIS DRAWING IN DESIGN AND DETAIL IS OUR PROPERTY AND MUST NOT BE USED EXCEPT IN CONNECTION WITH OUR WORK ALL RIGHTS OF DESIGN AND INVENTION ARE RESERVED THIS IS AN ELECTRONICALLY GENERATED DOCUMENT - DO NOT SCALE THIS PRINT		RFP	CAD FILE	00546801ME	SIZE	DRAWING NO.	REV.
		DIST			A	005468-01ME	

