

# PRODUCT INFORMATION PACKET

**marathon®**  
Motors

Model No: 080T34FH5516  
Catalog No: R395  
1 1/2,3600,TEFC,80D,3/60/230/460  
TEFC



Regal and Marathon are trademarks of Regal Beloit Corporation or one of its affiliated companies.

©2018 Regal Beloit Corporation, All Rights Reserved. MC017097E

**REGAL**



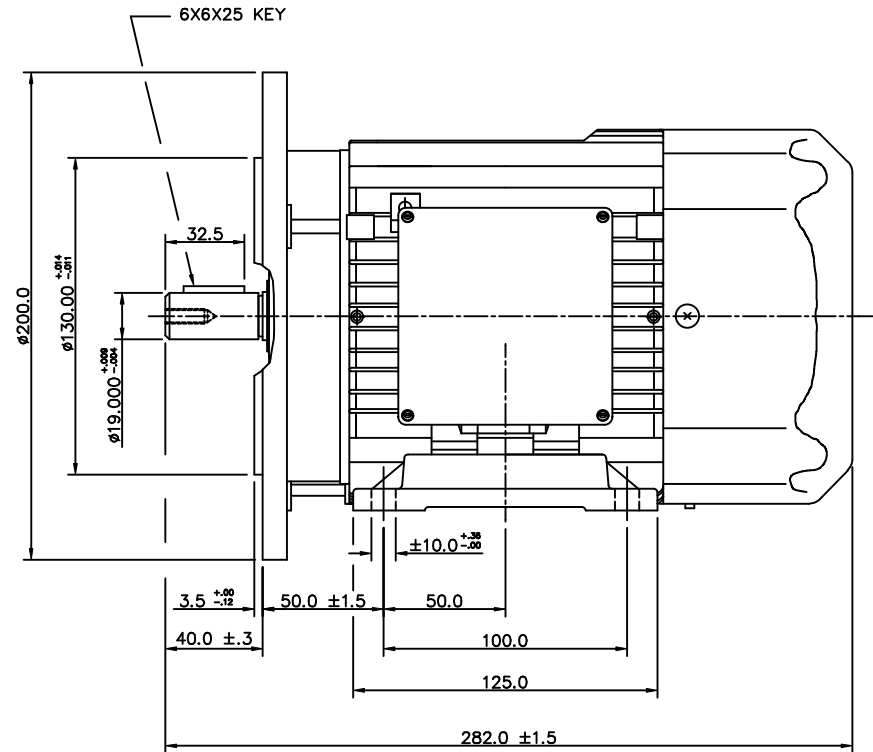
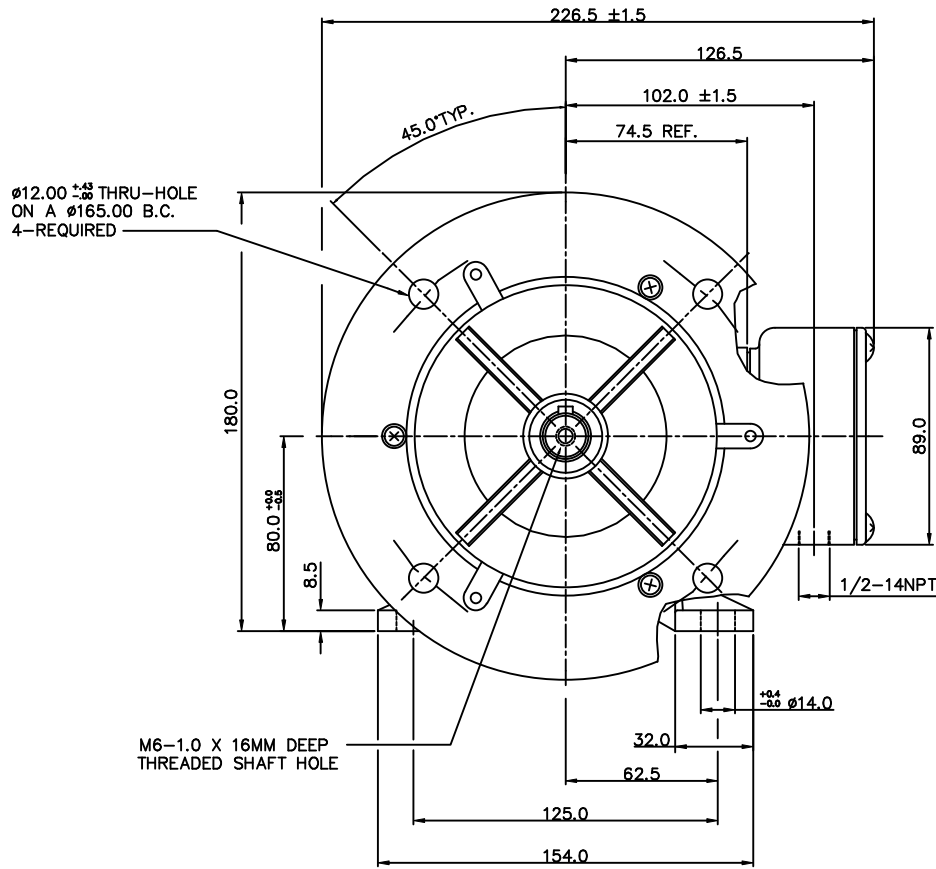
### Nameplate Specifications

Output HP	<b>1.50 Hp</b>	Output KW	<b>1.1 kW</b>
Frequency	<b>60 Hz</b>	Voltage	<b>230/460 V</b>
Current	<b>4.0/2.0 A</b>	Speed	<b>3450 rpm</b>
Service Factor	<b>1.15</b>	Phase	<b>3</b>
Efficiency	<b>84 %</b>	Duty	<b>Continuous</b>
Insulation Class	<b>F</b>	Design Code	<b>B</b>
KVA Code	<b>K</b>	Frame	<b>80</b>
Enclosure	<b>Totally Enclosed Fan Cooled</b>	Overload Protector	<b>No</b>
Ambient Temperature	<b>40 °C</b>	Drive End Bearing Size	<b>6204</b>
Opp Drive End Bearing Size	<b>6204</b>	UL	<b>Recognized</b>
CSA	<b>Y</b>	CE	<b>Y</b>
IP Code	<b>55</b>		

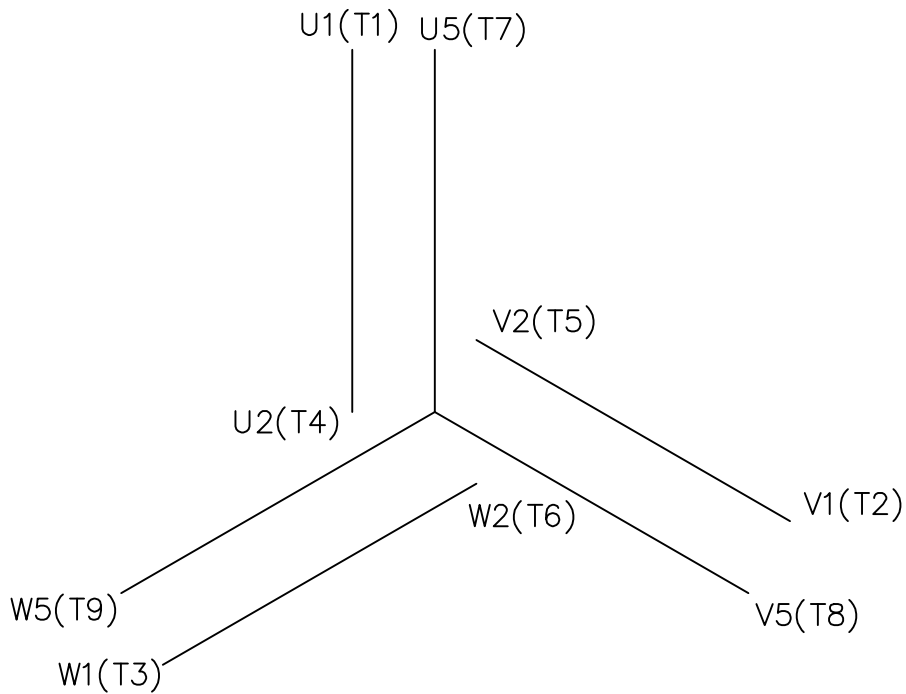
### Technical Specifications

Electrical Type	<b>Squirrel Cage Inverter Rated</b>	Starting Method	<b>Line Or Inverter</b>
Poles	<b>2</b>	Rotation	<b>Reversible</b>
Mounting	<b>Rigid base</b>	Motor Orientation	<b>Horizontal</b>
Drive End Bearing	<b>Ball</b>	Opp Drive End Bearing	<b>Ball</b>
Frame Material	<b>Aluminum</b>	Shaft Type	<b>IEC</b>
Overall Length	<b>11.1 in</b>	Shaft Diameter	<b>0.750 in</b>
Shaft Extension	<b>1.57 in</b>	Assembly/Box Mounting	<b>F2/F1 Capable</b>
Outline Drawing	<b>16959500ME</b>	Connection Diagram	<b>00546501ME</b>

This is an uncontrolled document once printed or downloaded and is subject to change without notice. Date Created: 07/02/2018

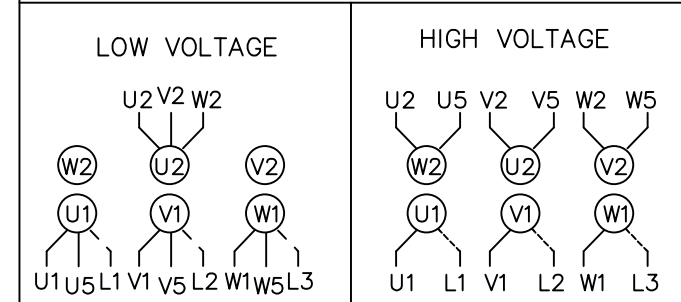


		TOLERANCES UNLESS SPECIFIED				DRAWN BLN-09-11-2006	
		DEC.	INCHES			CHK SVL-09-11-2006	
		.X	±.1	APPD SVL-09-11-2006	SCALE 1=2		
		.XX	±.03	TITLE METRIC OUTLINE - IEC D80 FRAME B3 FOOT AND B5 FLANGE MOUNTS		REF 16959500	
		.XXX	±.005	MAT'L		FMF MU74873	
		.XXXX	±.0005	FINISH		PREV	
NO.	REVISION	BY & DATE	CHK	ANG	±1/2"	RFP 09-11-2006 CAD FILE 16959500me	
THIS DRAWING IN DESIGN AND DETAIL IS OUR PROPERTY AND MUST NOT BE USED EXCEPT IN CONNECTION WITH OUR WORK ALL RIGHTS OF DESIGN AND INVENTION ARE RESERVED THIS IS AN ELECTRONICALLY GENERATED DOCUMENT - DO NOT SCALE THIS PRINT						SIZE	DRAWING NO.
						B	16959500ME
						REV.	



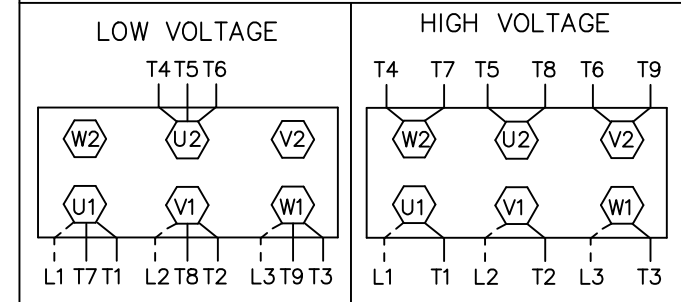
REF. DECAL (IEC) 080644  
REF. DECAL (NEMA) 080446

IEC MARKINGS



LINE VOLTAGE	L1	L2	L3	JOIN		
TERMINAL	U1	V1	W1	W2	U2	V2
LOW	U1,U5	V1,V5	W1,W5	---	U2,V2,W2	---
HIGH	U1	V1	W1	U2,U5	V2,V5	W2,W5

NEMA MARKINGS



LINE VOLTAGE	L1	L2	L3	JOIN		
TERMINAL	U1	V1	W1	W2	U2	V2
LOW	T1, T7	T2, T8	T3, T9	---	T4,T5,T6	---
HIGH	T1	T2	T3	T4, T7	T5, T8	T6, T9

				TOLERANCES UNLESS SPECIFIED			DRAWN JGO 3/10/04	
				DEC.	INCHES		CHK SB 02-17-2010	
				.X	±.1		APPD MJS 02-17-2010	
				.XX	±.01		SCALE 1=1	
				.XXX	±.005		REF	
				.XXXX	±.0005	FMF		
NO.	REVISION	BY & DATE	CHK	ANG	±1/2'	FINISH	PREV	
THIS DRAWING IN DESIGN AND DETAIL IS OUR PROPERTY AND MUST NOT BE USED EXCEPT IN CONNECTION WITH OUR WORK ALL RIGHTS OF DESIGN AND INVENTION ARE RESERVED THIS IS AN ELECTRONICALLY GENERATED DOCUMENT - DO NOT SCALE THIS PRINT				RFP	02-17-2010	CAD FILE	00546501ME	SIZE A
				DIST		DRAWING NO. 005465ME-01		REV.

