

PRODUCT INFORMATION PACKET

marathon[®]
Motors

Model No: 080T34FH5416
Catalog No: R375
1 1/2,3600,TEFC,80C,3/60/230/460
TEFC



Regal and Marathon are trademarks of Regal Beloit Corporation or one of its affiliated companies.
©2018 Regal Beloit Corporation, All Rights Reserved. MC017097E

REGAL[®]

Nameplate Specifications

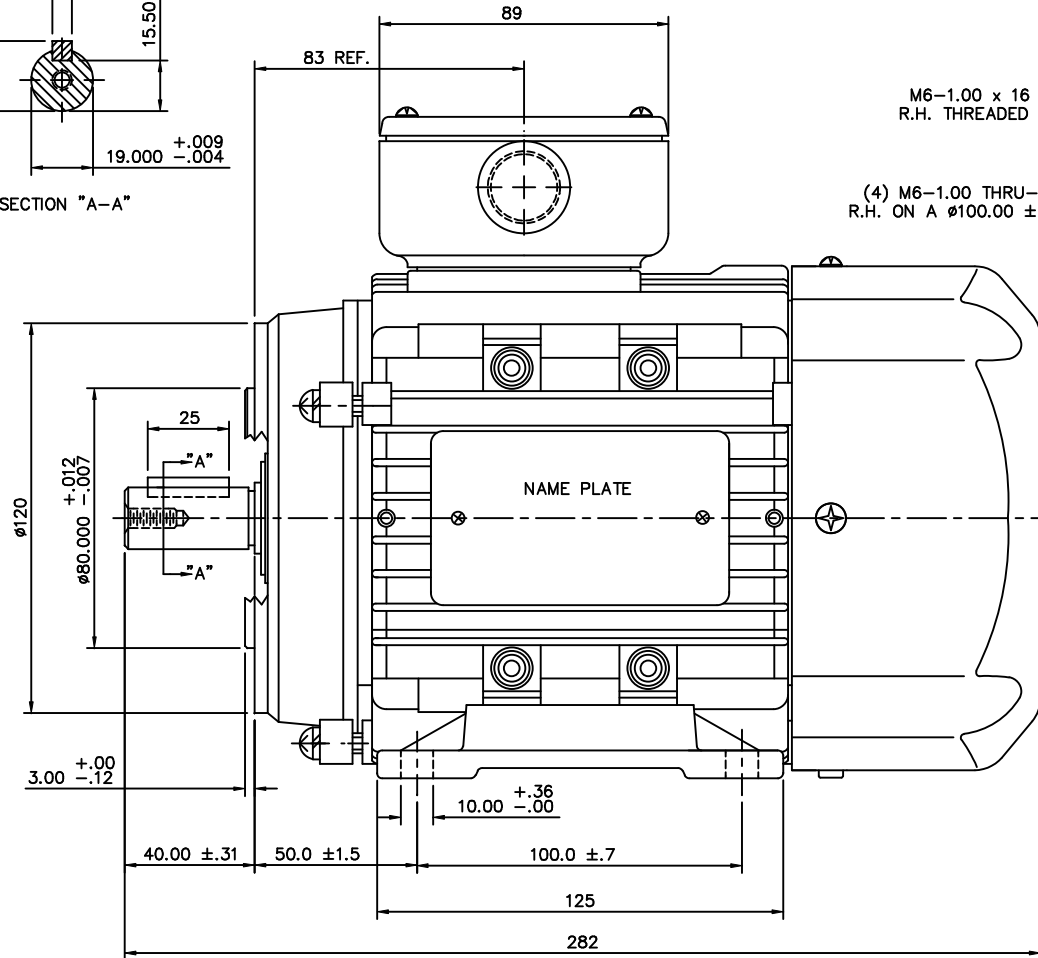
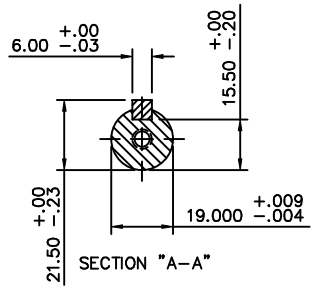
Output HP	1.50 Hp	Output KW	1.1 kW
Frequency	60 Hz	Voltage	230/460 V
Current	4.0/2.0 A	Speed	3450 rpm
Service Factor	1.15	Phase	3
Efficiency	84 %	Duty	Continuous
Insulation Class	F	Design Code	B
KVA Code	K	Frame	80
Enclosure	Totally Enclosed Fan Cooled	Overload Protector	No
Ambient Temperature	40 °C	Drive End Bearing Size	6204
Opp Drive End Bearing Size	6204	UL	Recognized
CSA	Y	CE	Y
IP Code	55		

Technical Specifications

Electrical Type	Squirrel Cage Inverter Rated	Starting Method	Line Or Inverter
Poles	2	Rotation	Reversible
Mounting	Rigid base	Motor Orientation	Horizontal
Drive End Bearing	Ball	Opp Drive End Bearing	Ball
Frame Material	Aluminum	Shaft Type	IEC
Overall Length	11.1 in	Shaft Diameter	0.750 in
Shaft Extension	1.57 in	Assembly/Box Mounting	F3
Outline Drawing	16986500ME	Connection Diagram	00546501ME

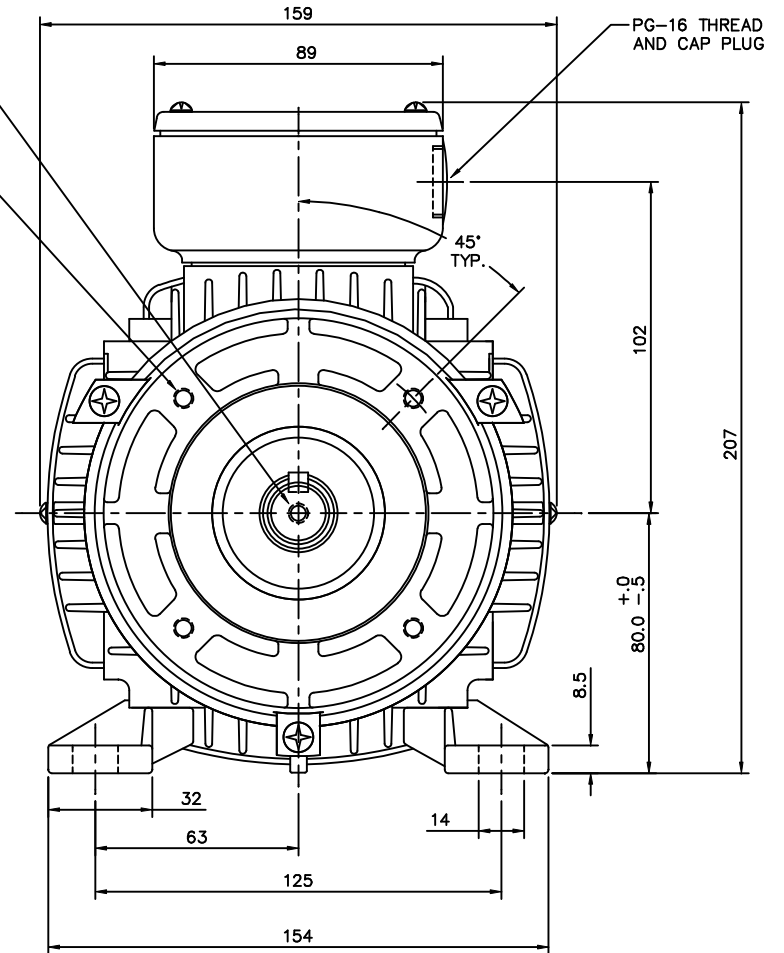
This is an uncontrolled document once printed or downloaded and is subject to change without notice. Date Created: 06/29/2018

169865-00ME



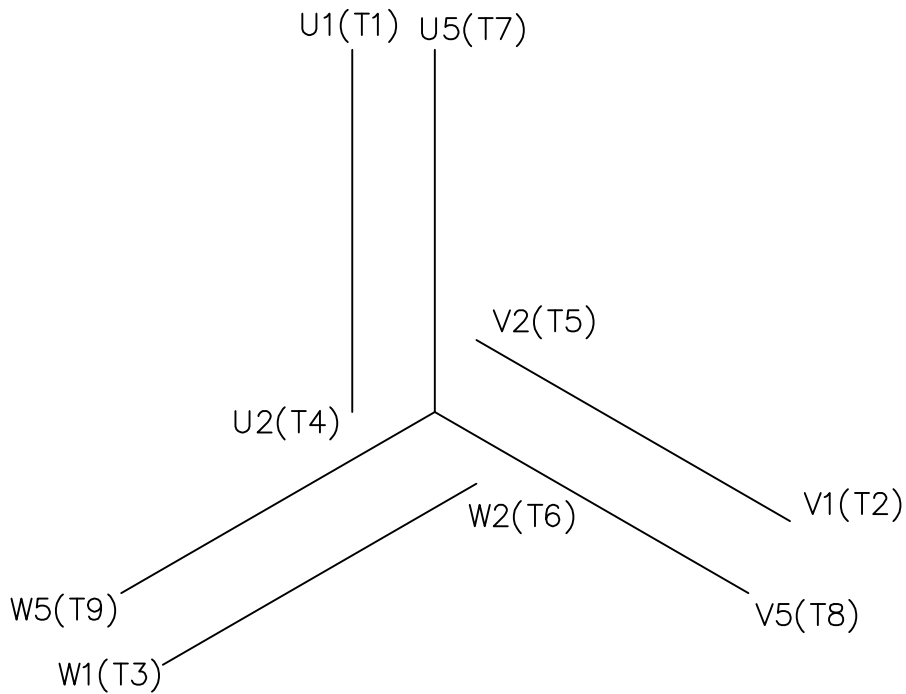
M6-1.00 x 16 DEEP
R.H. THREADED SHAFT

(4) M6-1.00 THRU-THREAD
R.H. ON A Ø100.00 ±0.17 B.C.



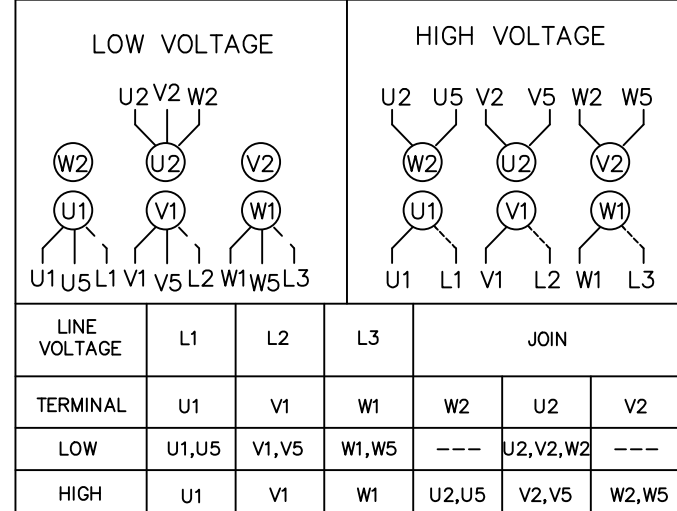
PG-16 THREAD
AND CAP PLUG

TOLERANCES UNLESS SPECIFIED		MARATHON ELECTRIC		DRAWN
DEC.	INCHES	TITLE		ADS 01/30/02
.X	±.1	METRIC OUTLINE, IMB34		CHK
.XX	±.03	IEC-80 FRAME TEFC RIGID W/B14 FLANGE		APPD
.XXX	±.005	ALUMINUM		SCALE 1=1.5
.XXXX	±.0005	FINISH		REF OSVC-300-560
NO.	REVISION	BY & DATE	CHK ANG ±1/2°	FMF
THIS DRAWING IN DESIGN AND DETAIL IS OUR PROPERTY AND MUST NOT BE USED EXCEPT IN CONNECTION WITH OUR WORK ALL RIGHTS OF DESIGN AND INVENTION ARE RESERVED THIS IS AN ELECTRONICALLY GENERATED DOCUMENT - DO NOT SCALE THIS PRINT			RFP	PREV
			DIST	REV.
			CAD FILE 16986500ME	SIZE B
			DRAWING NO. 169865-00ME	

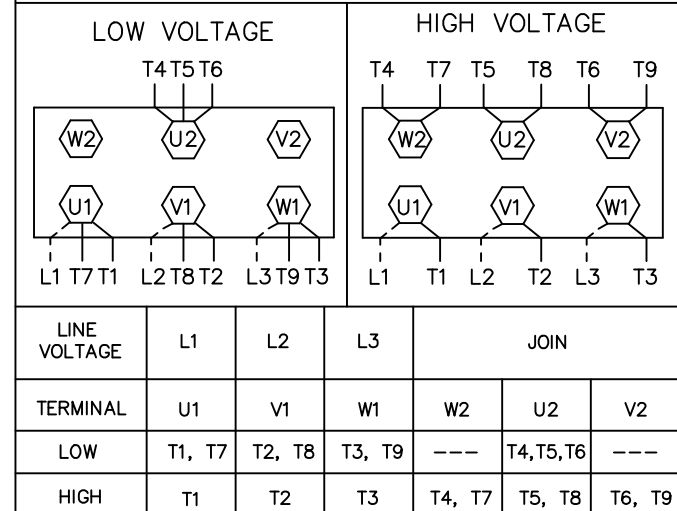


REF. DECAL (IEC) 080644
REF. DECAL (NEMA) 080446

IEC MARKINGS



NEMA MARKINGS



				TOLERANCES UNLESS SPECIFIED			DRAWN	JGO 3/10/04		
				DEC.	INCHES		CHK	SB 02-17-2010		
				.X	±.1		APPD	MJS 02-17-2010		
				.XX	±.01		SCALE	1=1		
				.XXX	±.005		REF			
				.XXXX	±.0005	MAT'L.	IEC/NEMA MARKINGS	FMF		
NO.	REVISION	BY & DATE	CHK	ANG	±1/2'	FINISH	PREV			
THIS DRAWING IN DESIGN AND DETAIL IS OUR PROPERTY AND MUST NOT BE USED EXCEPT IN CONNECTION WITH OUR WORK ALL RIGHTS OF DESIGN AND INVENTION ARE RESERVED THIS IS AN ELECTRONICALLY GENERATED DOCUMENT - DO NOT SCALE THIS PRINT				RFP	02-17-2010	CAD FILE	00546501ME	SIZE	DRAWING NO.	REV.
				DIST				A	005465ME-01	

CERTIFICATION DATA SHEET

Model#: 80T34FH5416 A WINDING#: QT8022 FR 3
 CONN. DIAGRAM: 00546501ME ASSEMBLY: F3
 OUTLINE: 16986500ME

TYPICAL MOTOR PERFORMANCE DATA

HP	KW	SYNC. RPM	F.L. RPM	FRAME	ENCLOSURE	KVA CODE	DESIGN
1 1/2&1 1/2	1.12&1.12	3600	3450&2850	80	TEFC	K	B

PH	Hz	VOLTS	FL AMPS	START TYPE	DUTY	INSL	S.F	AMB°C	ELEVATION
3	60/50	230/460#200/400	4.0/2.0&4.4/2.2	LINE OR INVERTER	CONTINUOUS	F5	1.15/1.15	40	3300

FULL LOAD EFF: 84	3/4 LOAD EFF: 84.3	1/2 LOAD EFF: 81.6	GTD. EFF	ELEC. TYPE	NO LOAD AMPS
FULL LOAD PF: 83.6	3/4 LOAD PF: 81.3	1/2 LOAD PF: 71.1	0	SQ CAGE INV RATED	1.8 / .9

F.L. TORQUE	LOCKED ROTOR AMPS	L.R. TORQUE	B.D. TORQUE	F.L. RISE°C
27 LB-FT	33 / 16.5	119 LB-FT 441	130 LB-FT 481	31

SOUND PRESSURE @ 3 FT.	SOUND POWER	ROTOR WK^2	MAX. WK^2	SAFE STALL TIME	STARTS /HOUR	APPROX. MOTOR WGT
0 dBA	10 dBA	0 LB-FT^2	0 LB-FT^2	0 SEC.	0	- LBS.

*** SUPPLEMENTAL INFORMATION ***

DE BRACKET TYPE	ODE BRACKET TYPE	MOUNT TYPE	ORIENTATION	SEVERE DUTY	HAZARDOUS LOCATION	DRIP COVER	SCREENS	PAINT
B14	STANDARD	RIGID	HORIZONTAL	FALSE	NONE	FALSE	NONE	BLUE (ENAMEL)

BEARINGS		GREASE	SHAFT TYPE	SPECIAL DE	SPECIAL ODE	SHAFT MATERIAL	FRAME MATERIAL
DE	OPE						
BALL	BALL	POLYREX EM	STANDARD IEC	NONE	NONE	AISI 1045 (C-240)	ALUMINUM
6204	6204						

THERMO-PROTECTORS				THERMISTORS	CONTROL	SPACE /n HEATERS
THERMOSTATS	PROTECTORS	WDG RTDs	BRG RTDs			
NONE	NOT	NONE	NONE	NONE	FALSE	NONE VOLTS

If Inverter equals NONE, contact factory for further information

INVERTER TORQUE: CONSTANT 20:1
INV. HP SPEED RANGE: NONE
ENCODER: NONE
NONE NONE
NONE NONE PPR
BRAKE: NONE NONE
NONE P/N NONE
NONE NONE
NONE FT-LB NONE V NONE Hz

*
N
O
T
E
S
*

DATE: 06/28/2017 04:08:44 AM
 FORM 3531 REV.3 02/07/99

** Subject to change without notice.