

PRODUCT INFORMATION PACKET

marathon[®]
Motors

Model No: 080T34FH5413

Catalog No: R372

1 HP General Purpose, 3 phase, 3600 RPM, 230/460 V, 80 Frame, TEFC
Aluminium TEFC Motors



Regal and Marathon are trademarks of Regal Beloit Corporation or one of its affiliated companies.
©2019 Regal Beloit Corporation, All Rights Reserved. MC017097E

REGAL



Nameplate Specifications

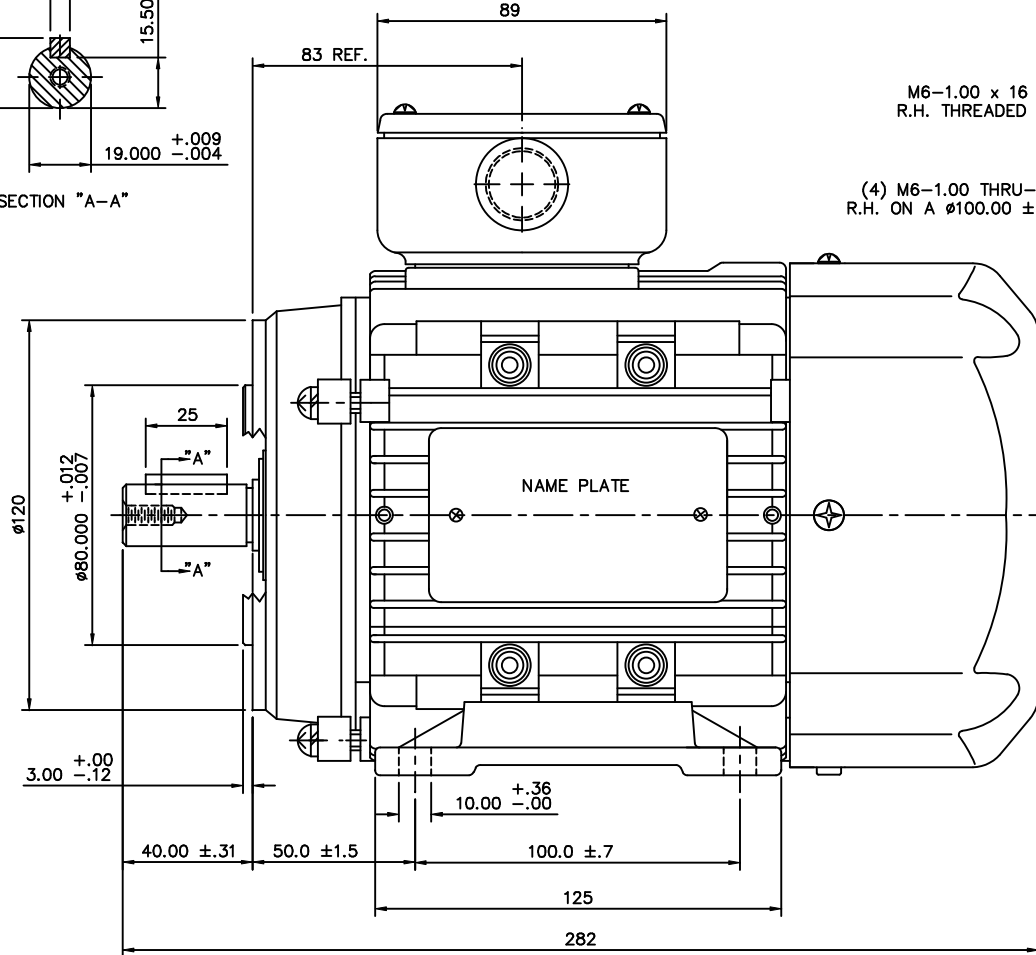
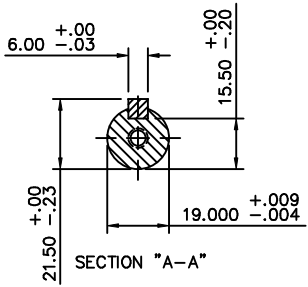
Output HP	1 Hp	Output KW	0.75 kW
Frequency	60 Hz	Voltage	230/460 V
Current	2.8/1.4 A	Speed	3390 rpm
Service Factor	1.15	Phase	3
Efficiency	75.5 %	Power Factor	88.5
Duty	Continuous	Insulation Class	F
Design Code	NO DESIGN CODE	KVA Code	J
Frame	80	Enclosure	Totally Enclosed Fan Cooled
Thermal Protection	No	Ambient Temperature	40 °C
Drive End Bearing Size	6204	Opp Drive End Bearing Size	6204
UL	Recognized	CSA	Y
CE	Y	IP Code	55

Technical Specifications

Electrical Type	Squirrel Cage Inverter Rated	Starting Method	Line Or Inverter
Poles	2	Rotation	Reversible
Resistance Main	20.68 Ohms	Mounting	Rigid Base
Motor Orientation	Horizontal	Drive End Bearing	Ball
Opp Drive End Bearing	Ball	Frame Material	Aluminum
Shaft Type	IEC	Overall Length	11.10 in
Frame Length	5.31 in	Shaft Diameter	0.750 in
Shaft Extension	1.57 in	Assembly/Box Mounting	F3

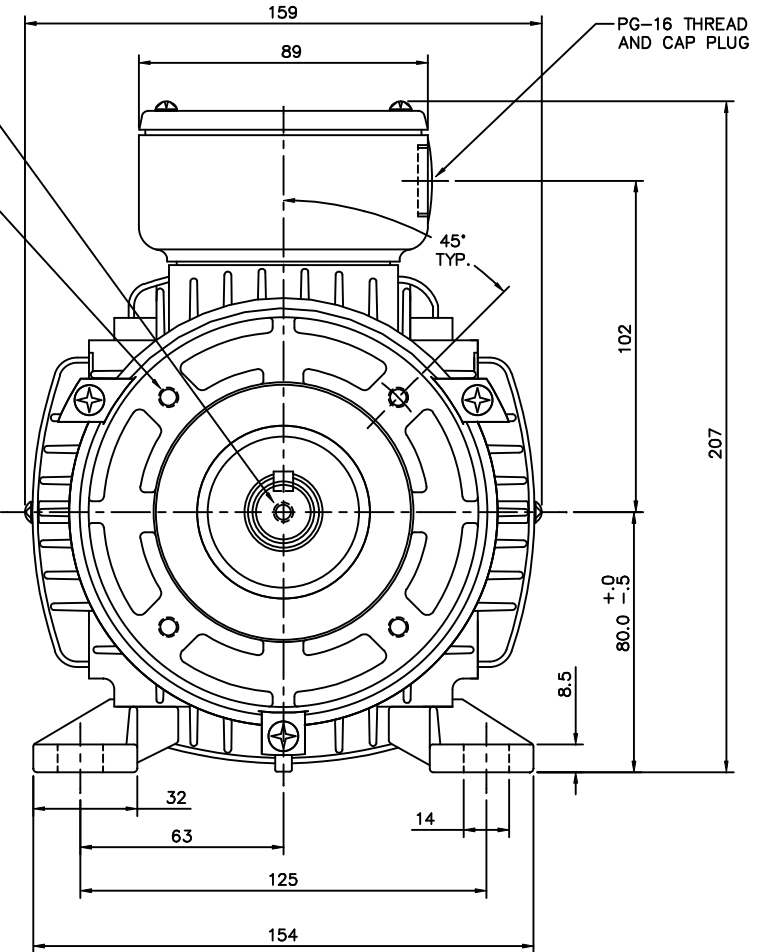
This is an uncontrolled document once printed or downloaded and is subject to change without notice. Date Created:01/11/2019

169865-00ME

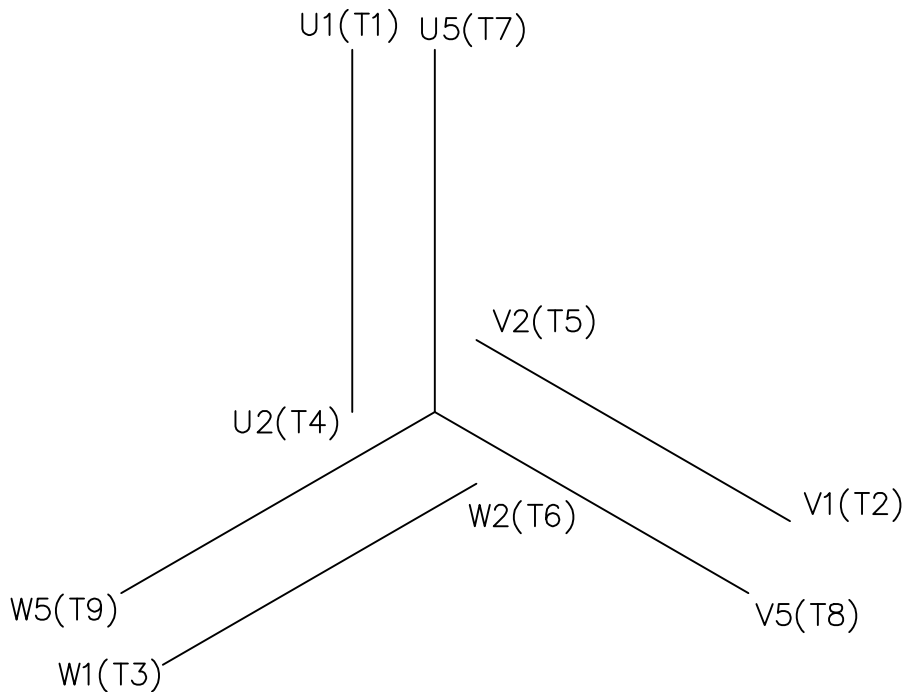


M6-1.00 x 16 DEEP
R.H. THREADED SHAFT

(4) M6-1.00 THRU-THREAD
R.H. ON A $\phi 100.00 \pm 0.17$ B.C.

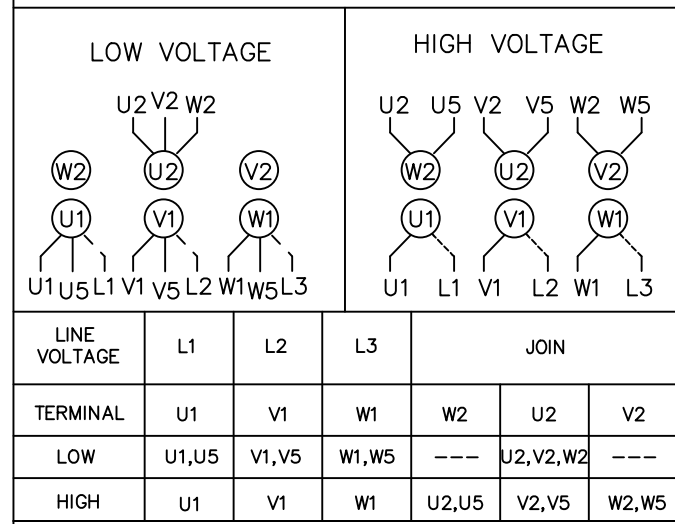


		TOLERANCES UNLESS SPECIFIED		MARATHON ELECTRIC		DRAWN ADS 01/30/02			
		DEC.	INCHES	TITLE		CHK			
		.X	±.1	METRIC OUTLINE, IMB34		APPD			
		.XX	±.03	IEC-80 FRAME TEFC RIGID W/B14 FLANGE		SCALE 1=1.5			
		.XXX	±.005	ALUMINUM		REF OSVC-300-560			
		.XXXX	±.0005	FINISH		FMF			
NO.	REVISION	BY & DATE	CHK	ANG	±1/2"	PREV			
THIS DRAWING IN DESIGN AND DETAIL IS OUR PROPERTY AND MUST NOT BE USED EXCEPT IN CONNECTION WITH OUR WORK ALL RIGHTS OF DESIGN AND INVENTION ARE RESERVED THIS IS AN ELECTRONICALLY GENERATED DOCUMENT - DO NOT SCALE THIS PRINT				RFP	CAD FILE	16986500ME	SIZE	DRAWING NO.	REV.
						B	169865-00ME		

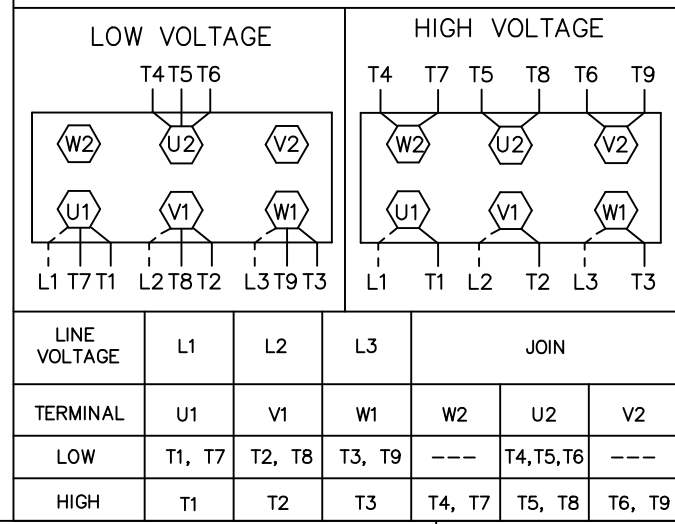


REF. DECAL (IEC) 080644
REF. DECAL (NEMA) 080446

IEC MARKINGS



NEMA MARKINGS



				TOLERANCES UNLESS SPECIFIED			DRAWN JGO 3/10/04	
				DEC.	INCHES		CHK SB 02-17-2010	
				.X	±.1		APPD MJS 02-17-2010	
				.XX	±.01		SCALE 1=1	
				.XXX	±.005		REF	
				.XXXX	±.0005	FMF		
NO.	REVISION	BY & DATE	CHK	ANG	±1/2'	FINISH	PREV	
THIS DRAWING IN DESIGN AND DETAIL IS OUR PROPERTY AND MUST NOT BE USED EXCEPT IN CONNECTION WITH OUR WORK ALL RIGHTS OF DESIGN AND INVENTION ARE RESERVED THIS IS AN ELECTRONICALLY GENERATED DOCUMENT - DO NOT SCALE THIS PRINT			RFP	02-17-2010	CAD FILE	00546501ME	SIZE	DRAWING NO.
			DIST				A	005465ME-01
								REV.