

PRODUCT INFORMATION PACKET

marathon[®]
Motors

Model No: 080T34FH5302
Catalog No: R315
1 1/2,3600,TEFC,80,3/60/230/460
TEFC



Regal and Marathon are trademarks of Regal Beloit Corporation or one of its affiliated companies.

©2018 Regal Beloit Corporation, All Rights Reserved. MC017097E

REGAL[®]



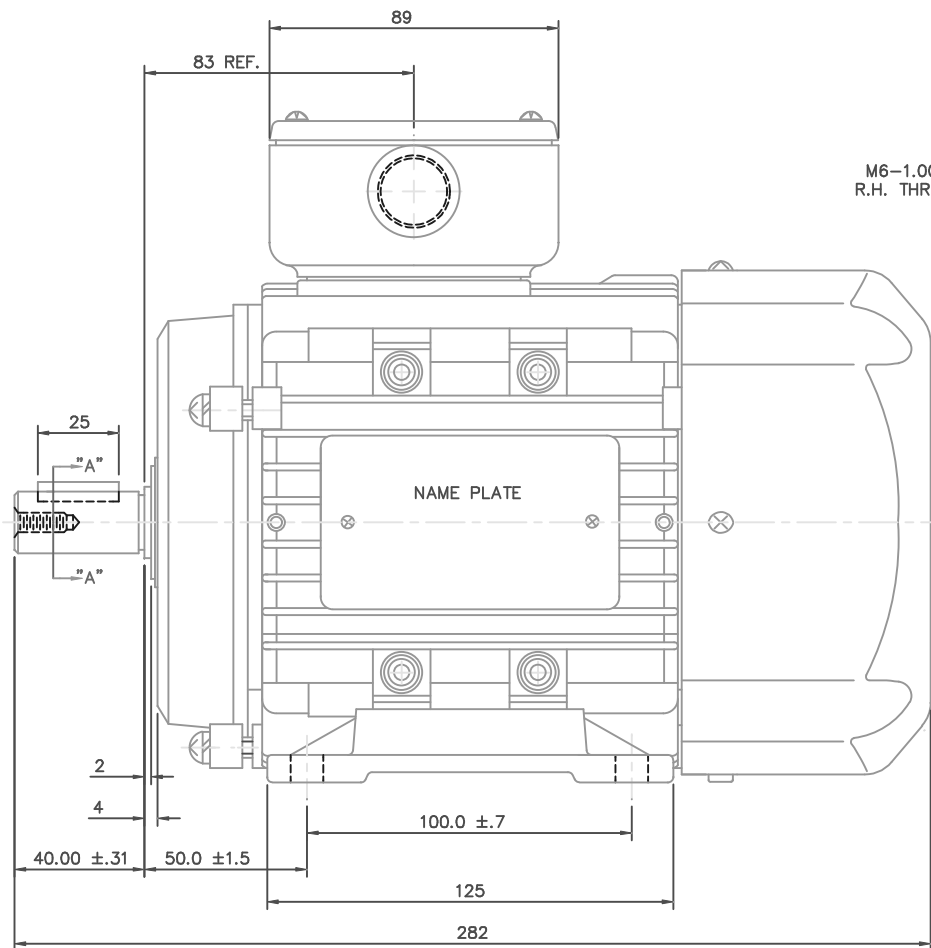
Nameplate Specifications

Output HP	1.50 Hp	Output KW	1.1 kW
Frequency	60 Hz	Voltage	230/460 V
Current	4.0/2.0 A	Speed	3450 rpm
Service Factor	1.15	Phase	3
Efficiency	84 %	Duty	Continuous
Insulation Class	F	Design Code	B
KVA Code	K	Frame	80TZ
Enclosure	Totally Enclosed Fan Cooled	Overload Protector	No
Ambient Temperature	40 °C	Drive End Bearing Size	6204
Opp Drive End Bearing Size	6204	UL	Recognized
CSA	Y	CE	Y
IP Code	55		

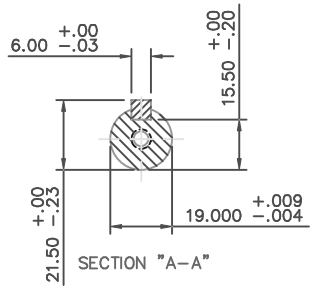
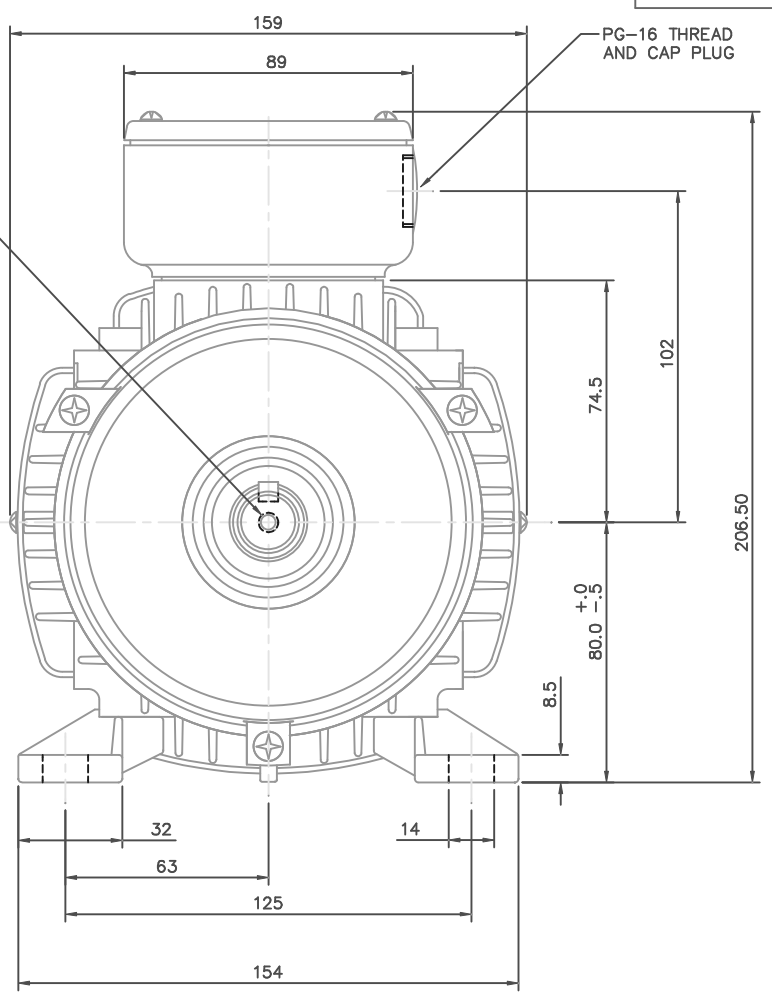
Technical Specifications

Electrical Type	Squirrel Cage Induction Run	Starting Method	Across The Line
Poles	2	Rotation	Reversible
Mounting	Rigid base	Motor Orientation	Horizontal
Drive End Bearing	Ball	Opp Drive End Bearing	Ball
Frame Material	Aluminum	Shaft Type	IEC
Overall Length	11.1 in	Shaft Diameter	0.750 in
Shaft Extension	1.57 in	Assembly/Box Mounting	F3
Outline Drawing	16986100ME	Connection Diagram	00546501ME

This is an uncontrolled document once printed or downloaded and is subject to change without notice. Date Created: 07/02/2018

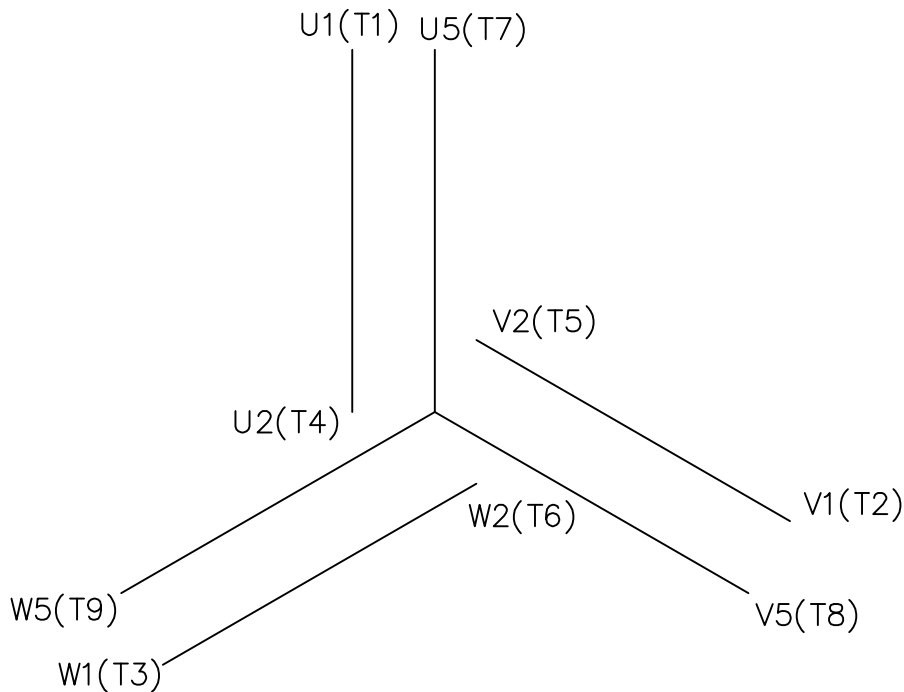


M6-1.00 x 16 DEEP R.H. THREADED SHAFT



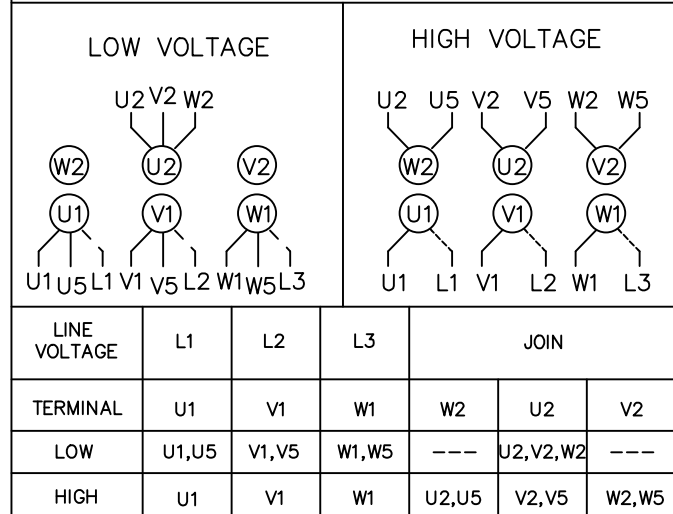
NO.		REVISION	BY & DATE	CHK	ANG	±7'30"	FINISH	PREV				
THIS DRAWING IN DESIGN AND DETAIL IS OUR PROPERTY AND MUST NOT BE USED EXCEPT IN CONNECTION WITH OUR WORK. ALL RIGHTS OF DESIGN AND INVENTION ARE RESERVED. THIS IS AN ELECTRONICALLY GENERATED DOCUMENT - DO NOT SCALE THIS PRINT							RFP	CAD FILE	16986100ME	SIZE	DRAWING NO.	REV.
							DIST		B	169861-00ME		

TOLERANCES UNLESS SPECIFIED		DRAWN	
DEC.	METRIC	RDW	2/4/04
.X	±2.5	CHK	
.XX	±.76	APPD	SW 2/4/04
.XXX	±.127	SCALE	1=1.5
.XXXX	±.0127	REF	OSVC-300-552
TITLE		METRIC OUTLINE, IMB3 IEC-80 FRAME TEFC	
MAT'L		ALUMINUM	
FPM			

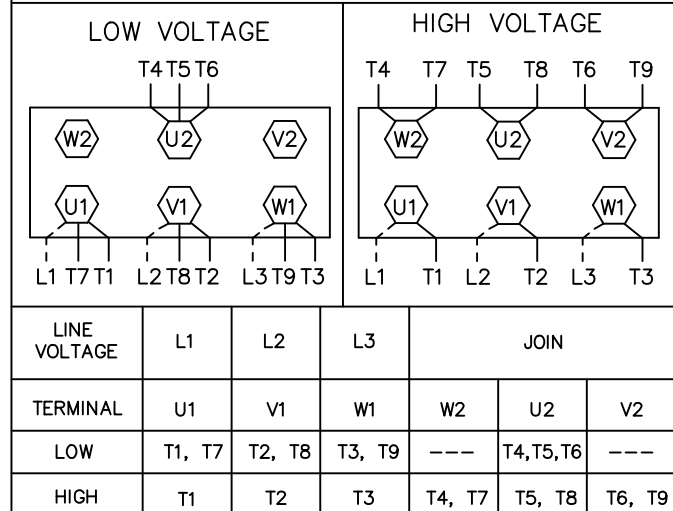


REF. DECAL (IEC) 080644
REF. DECAL (NEMA) 080446

IEC MARKINGS



NEMA MARKINGS



		TOLERANCES UNLESS SPECIFIED				DRAWN JGO 3/10/04			
		DEC.	INCHES			CHK SB 02-17-2010			
		.X	±.1			APPD MJS 02-17-2010			
		.XX	±.01			SCALE 1=1			
		.XXX	±.005			REF			
			.XXX	±.0005	MAT'L.	IEC/NEMA MARKINGS	FMF		
NO.	REVISION	BY & DATE	CHK	ANG	FINISH		PREV		
			RFP	02-17-2010	CAD FILE	00546501ME	SIZE A	DRAWING NO. 005465ME-01	REV.
			DIST						

