

# PRODUCT INFORMATION PACKET

**marathon**<sup>®</sup>  
Motors

Model No: 080T34FH5301

Catalog No: R312

1 HP General Purpose, 3 phase, 3600 RPM, 230/460 V, 80TZ Frame, TEFC  
Aluminium TEFC Motors



Regal and Marathon are trademarks of Regal Beloit Corporation or one of its affiliated companies.  
©2019 Regal Beloit Corporation, All Rights Reserved. MC017097E

**REGAL**



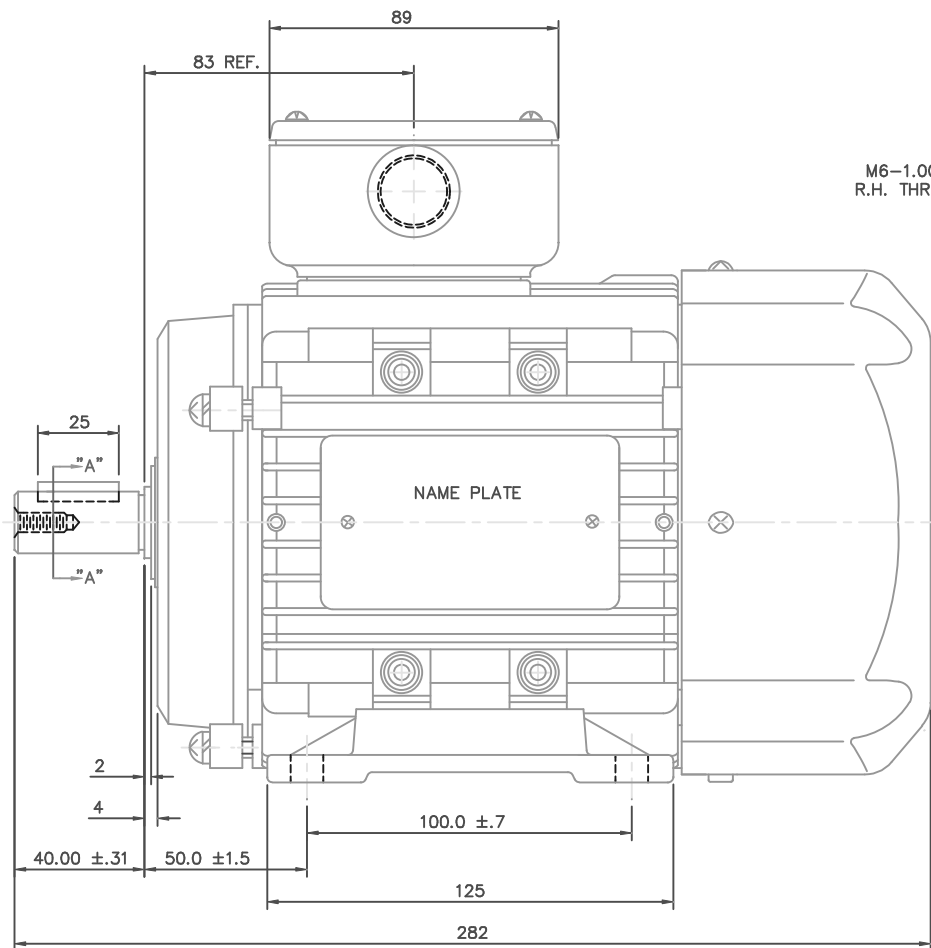
### Nameplate Specifications

Output HP	<b>1 Hp</b>	Output KW	<b>0.75 kW</b>
Frequency	<b>60 Hz</b>	Voltage	<b>230/460 V</b>
Current	<b>2.8/1.4 A</b>	Speed	<b>3390 rpm</b>
Service Factor	<b>1.15</b>	Phase	<b>3</b>
Efficiency	<b>75.5 %</b>	Power Factor	<b>88.5</b>
Duty	<b>Continuous</b>	Insulation Class	<b>F</b>
Design Code	<b>B</b>	KVA Code	<b>J</b>
Frame	<b>80TZ</b>	Enclosure	<b>Totally Enclosed Fan Cooled</b>
Thermal Protection	<b>No</b>	Ambient Temperature	<b>40 °C</b>
Drive End Bearing Size	<b>6204</b>	Opp Drive End Bearing Size	<b>6204</b>
UL	<b>Recognized</b>	CSA	<b>Y</b>
CE	<b>Y</b>	IP Code	<b>55</b>

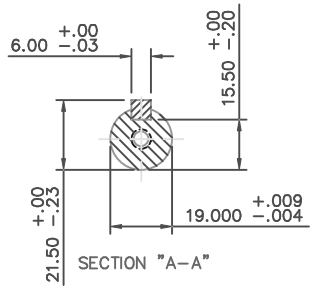
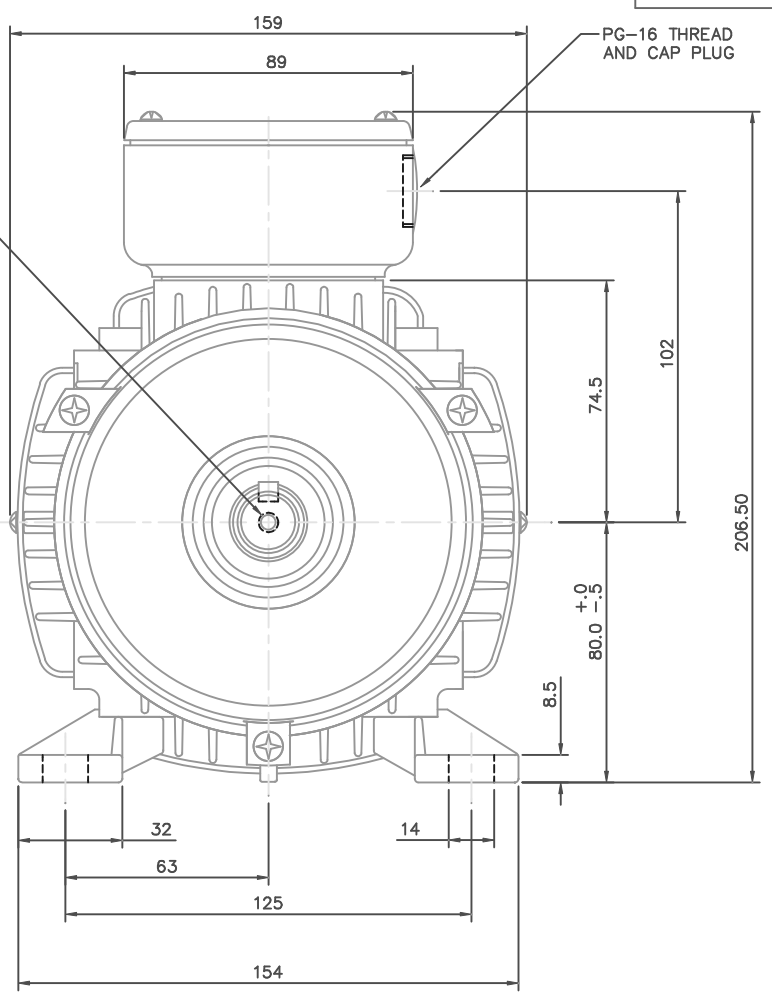
### Technical Specifications

Electrical Type	<b>Squirrel Cage Inverter Rated</b>	Starting Method	<b>Line Or Inverter</b>
Poles	<b>2</b>	Rotation	<b>Reversible</b>
Resistance Main	<b>20.68 Ohms</b>	Mounting	<b>Rigid Base</b>
Motor Orientation	<b>Horizontal</b>	Drive End Bearing	<b>Ball</b>
Opp Drive End Bearing	<b>Ball</b>	Frame Material	<b>Aluminum</b>
Shaft Type	<b>IEC</b>	Overall Length	<b>11.10 in</b>
Frame Length	<b>6.33 in</b>	Shaft Diameter	<b>0.750 in</b>
Shaft Extension	<b>1.57 in</b>	Assembly/Box Mounting	<b>F3</b>

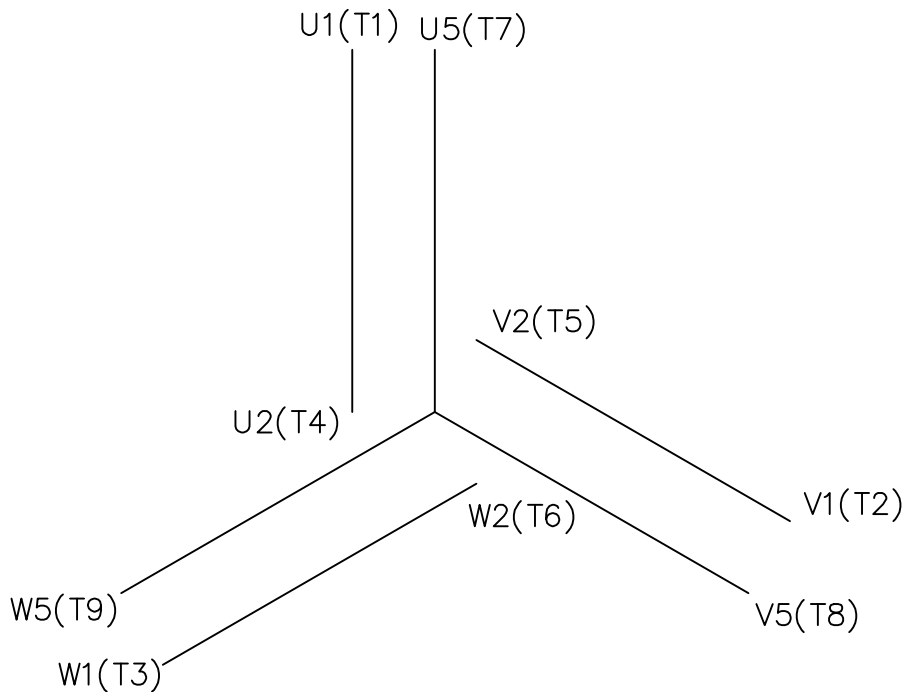
This is an uncontrolled document once printed or downloaded and is subject to change without notice. Date Created:01/11/2019



M6-1.00 x 16 DEEP R.H. THREADED SHAFT

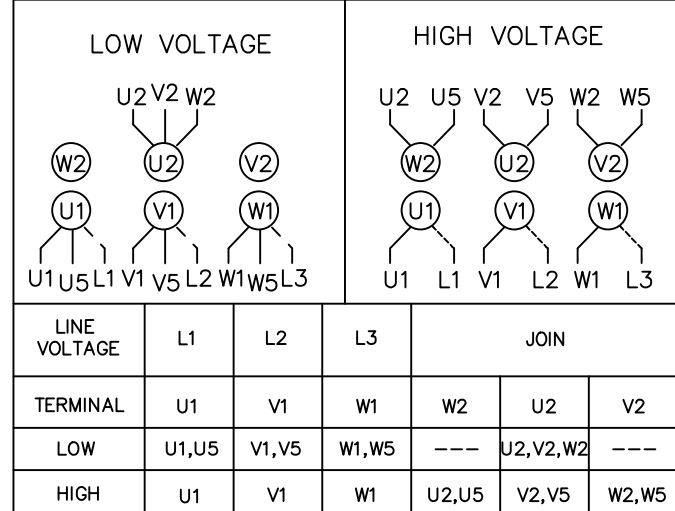


		TOLERANCES UNLESS SPECIFIED			DRAWN RDW 2/4/04
		DEC.	METRIC		CHK
		.X	±2.5		APPD SW 2/4/04
		.XX	±.76		SCALE 1=1.5
		.XXX	±.127		REF OSVC-300-552
		.XXXX	±.0127	MAT'L ALUMINUM	FMF
NO.	REVISION	BY & DATE	CHK ANG ±7'30"	FINISH	PREV
THIS DRAWING IN DESIGN AND DETAIL IS OUR PROPERTY AND MUST NOT BE USED EXCEPT IN CONNECTION WITH OUR WORK ALL RIGHTS OF DESIGN AND INVENTION ARE RESERVED THIS IS AN ELECTRONICALLY GENERATED DOCUMENT - DO NOT SCALE THIS PRINT				RFP CAD FILE 16986100ME	SIZE B
				DIST	DRAWING NO. 169861-00ME
					REV.

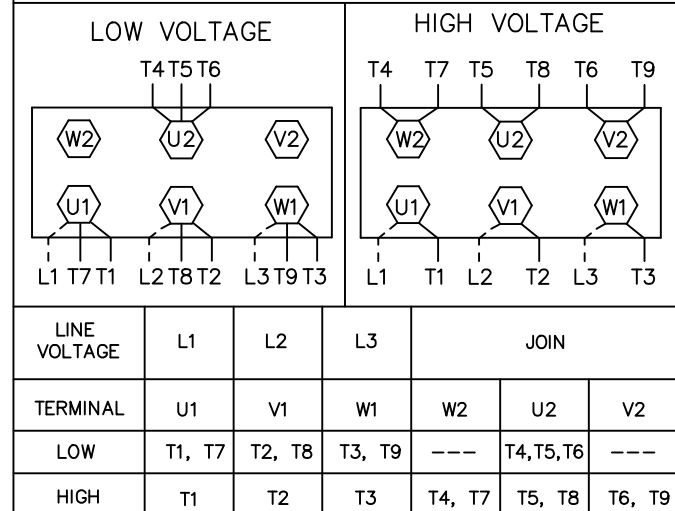


REF. DECAL (IEC) 080644  
REF. DECAL (NEMA) 080446

IEC MARKINGS



NEMA MARKINGS



		TOLERANCES UNLESS SPECIFIED			DRAWN	JGO 3/10/04			
		DEC.	INCHES		CHK	SB 02-17-2010			
		.X	±.1		APPD	MJS 02-17-2010			
		.XX	±.01		SCALE	1=1			
		.XXX	±.005		REF				
		.XXXX	±.0005	MAT'L.	IEC/NEMA MARKINGS	FMF			
NO.	REVISION	BY & DATE	CHK	ANG	±1/2'	FINISH	PREV		
THIS DRAWING IN DESIGN AND DETAIL IS OUR PROPERTY AND MUST NOT BE USED EXCEPT IN CONNECTION WITH OUR WORK ALL RIGHTS OF DESIGN AND INVENTION ARE RESERVED THIS IS AN ELECTRONICALLY GENERATED DOCUMENT - DO NOT SCALE THIS PRINT			RFP	02-17-2010	CAD FILE	00546501ME	SIZE	DRAWING NO.	REV.
			DIST				A	005465ME-01	