

PRODUCT INFORMATION PACKET

marathon®
Motors

Model No: 080T34FH15513
Catalog No: R392A
1,3600,TEFC,80D,3/60/230/460
TEFC



Regal and Marathon are trademarks of Regal Beloit Corporation or one of its affiliated companies.

©2018 Regal Beloit Corporation, All Rights Reserved. MC017097E

REGAL



Nameplate Specifications

Output HP	1 Hp	Output KW	0.75 kW
Frequency	60 Hz	Voltage	230/460 V
Current	2.8/1.4 A	Speed	3420 rpm
Service Factor	1.15	Phase	3
Efficiency	77 %	Duty	Continuous
Insulation Class	F	Design Code	NO DESIGN CODE
KVA Code	H	Frame	8D0
Enclosure	Totally Enclosed Fan Cooled	Overload Protector	No
Ambient Temperature	40 °C	Drive End Bearing Size	6204
Opp Drive End Bearing Size	6204	UL	Recognized
CSA	N	CE	Y
IP Code	55		

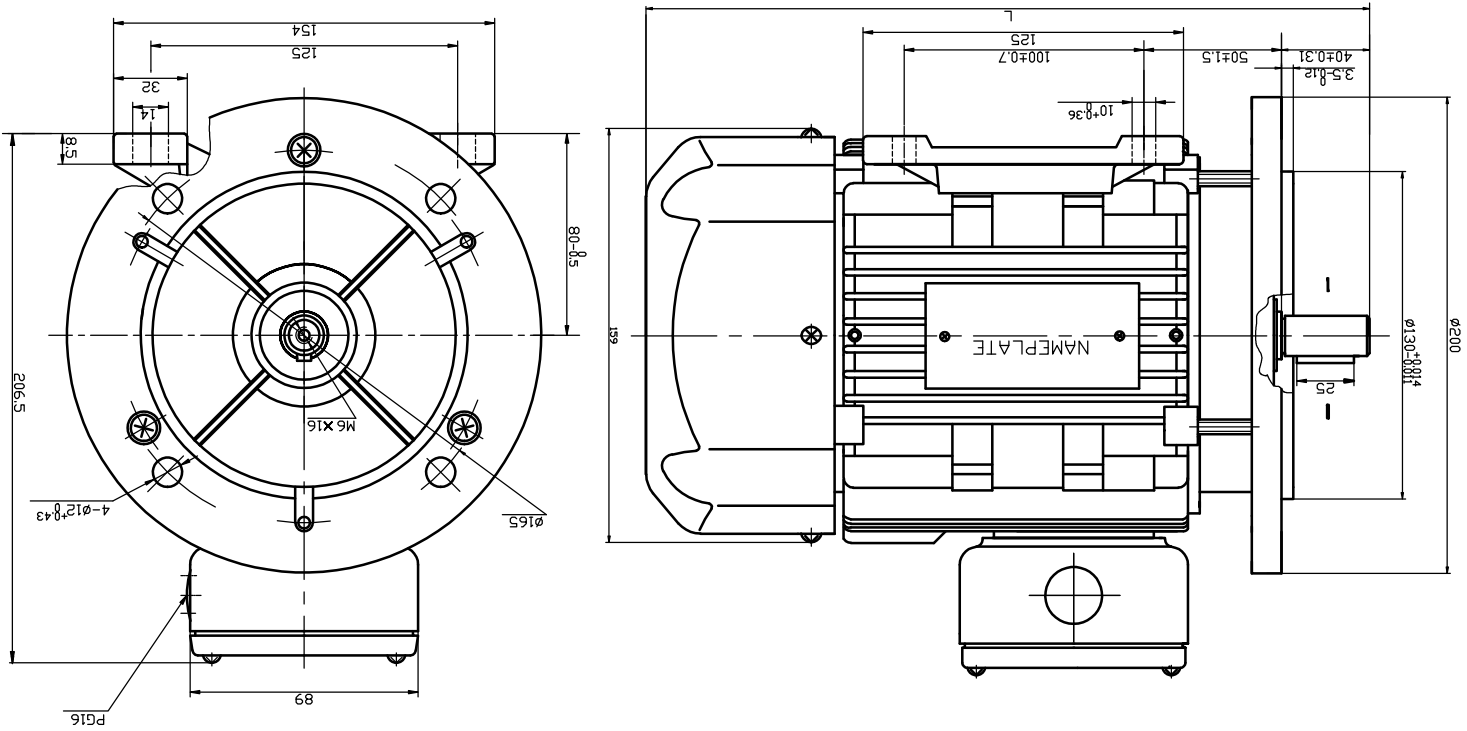
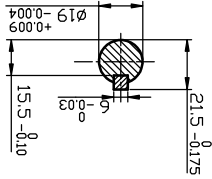
Technical Specifications

Electrical Type	Squirrel Cage Induction Run	Starting Method	Across The Line
Poles	2	Rotation	Reversible
Mounting	Rigid base	Motor Orientation	Horizontal
Drive End Bearing	Ball	Opp Drive End Bearing	Ball
Frame Material	Aluminum	Shaft Type	IEC
Overall Length	11.1 in	Shaft Diameter	0.750 in
Shaft Extension	1.57 in	Assembly/Box Mounting	F3
Outline Drawing	039073-392A	Connection Diagram	00546501ME

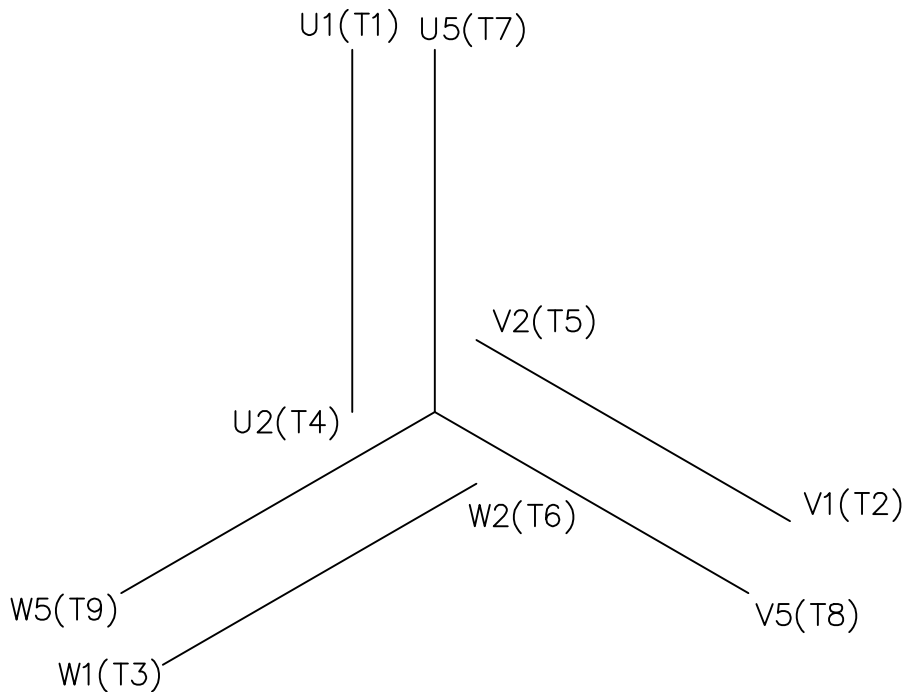
This is an uncontrolled document once printed or downloaded and is subject to change without notice. Date Created: 07/02/2018

REV.		DRAWING NO. 039073	
FINISH		SMC	
MATERIAL			
TITLE		OUTLINE	
DRAWN		VX 16/12/01	
X		±.1	
APPR.		±.76	
R.F.P.		±.127	
SCALE		±.0127	
REF.		±1/64	
FHF.			
TOLERANCES UNLESS OTHERWISE SPECIFIED		DEC. INCHES METRIC	
BY & DATE		CHK'D.	
REVISION		FRACTIONS	
THIS DRAWING IN DESIGN AND DETAIL IS OUR PROPERTY AND MUST NOT BE USED EXCEPT IN CONNECTION WITH OUR WORK ALL RIGHTS OF DESIGN AND INVENTION ARE RESERVED		ANGLES	
THIS IS AN ELECTRONICALLY GENERATED DOCUMENT - DO NOT SCALE THIS PRINT		±1/2	

CAT LOG.	L	R392A	282	R393A	302	192244.00	302
----------	---	-------	-----	-------	-----	-----------	-----

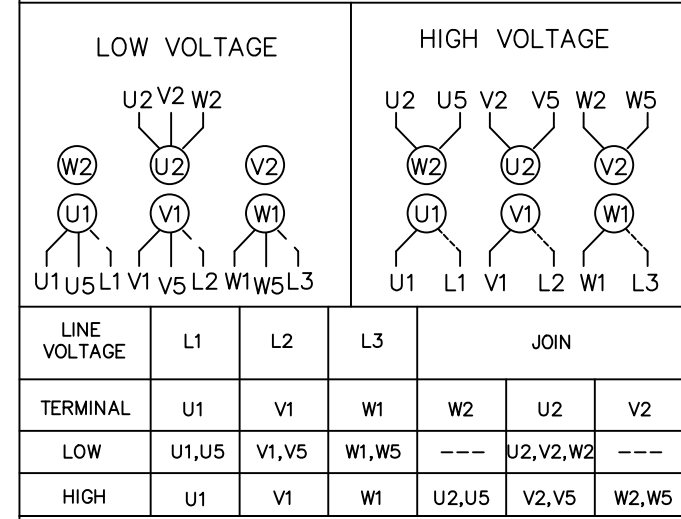


Uncontrolled Copy

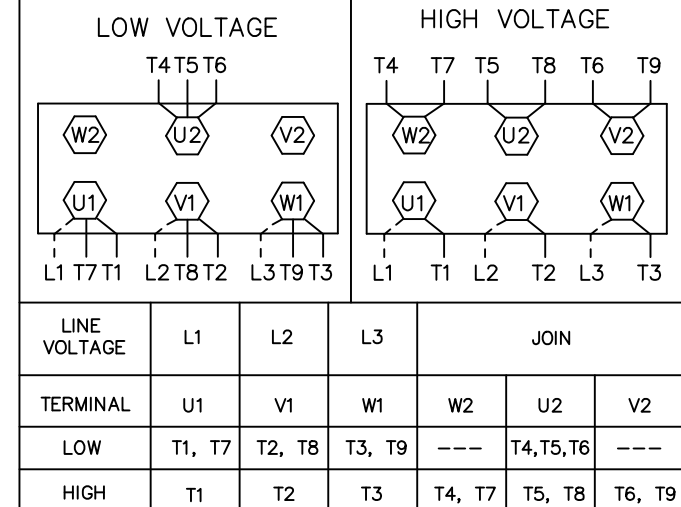


REF. DECAL (IEC) 080644
REF. DECAL (NEMA) 080446

IEC MARKINGS



NEMA MARKINGS



				TOLERANCES UNLESS SPECIFIED			DRAWN JGO 3/10/04		
				DEC.	INCHES		CHK SB 02-17-2010		
				.X	±.1		APPD MJS 02-17-2010		
				.XX	±.01		SCALE 1=1		
				.XXX	±.005		REF		
				.XXXX	±.0005	FMF			
NO.	REVISION	BY & DATE	CHK	ANG	±1/2'	FINISH	PREV		
THIS DRAWING IN DESIGN AND DETAIL IS OUR PROPERTY AND MUST NOT BE USED EXCEPT IN CONNECTION WITH OUR WORK ALL RIGHTS OF DESIGN AND INVENTION ARE RESERVED THIS IS AN ELECTRONICALLY GENERATED DOCUMENT - DO NOT SCALE THIS PRINT			RFP	02-17-2010	CAD FILE	00546501ME	SIZE	DRAWING NO.	REV.
			DIST				A	005465ME-01	

CERTIFICATION DATA SHEET

Model#: 80T34FH15513 A WINDING#: QT8029 FR 3
 CONN. DIAGRAM: 00546501ME ASSEMBLY: F3
 OUTLINE: 039073

TYPICAL MOTOR PERFORMANCE DATA

HP	KW	SYNC. RPM	F.L. RPM	FRAME	ENCLOSURE	KVA CODE	DESIGN
1&1	.75&.75	3600	3420&2840	D80D	TEFC	H	NO DESIGN CODE

PH	Hz	VOLTS	FL AMPS	START TYPE	DUTY	INSL	S.F	AMB°C	ELEVATION
3	60/50	230/460#200/400	2.8/1.4&3.2/1.6	ACROSS THE LINE	CONTINUOUS	F5	1.15/1.15	40	3300

FULL LOAD EFF: 77&80	3/4 LOAD EFF: -	1/2 LOAD EFF: -	GTD. EFF	ELEC. TYPE	NO LOAD AMPS
FULL LOAD PF: 83&84	3/4 LOAD PF: -	1/2 LOAD PF: -	0	SQ CAGE IND RUN	/

F.L. TORQUE	LOCKED ROTOR AMPS	L.R. TORQUE	B.D. TORQUE	F.L. RISE°C
- LB-FT	17 / 8.5	6.3 LB-FT 420	6 LB-FT 400	0

SOUND PRESSURE @ 3 FT.	SOUND POWER	ROTOR WK^2	MAX. WK^2	SAFE STALL TIME	STARTS /HOUR	APPROX. MOTOR WGT
0 dBA	10 dBA	0.024 LB-FT^2	0 LB-FT^2	0 SEC.	0	0 LBS.

*** SUPPLEMENTAL INFORMATION ***

DE BRACKET TYPE	ODE BRACKET TYPE	MOUNT TYPE	ORIENTATION	SEVERE DUTY	HAZARDOUS LOCATION	DRIP COVER	SCREENS	PAINT
B5	STANDARD	RIGID	HORIZONTAL	FALSE	NONE	FALSE	NONE	BLUE (ENAMEL)

BEARINGS		GREASE	SHAFT TYPE	SPECIAL DE	SPECIAL ODE	SHAFT MATERIAL	FRAME MATERIAL
DE	OPE						
BALL	BALL	POLYREX EM	STANDARD IEC	NONE	NONE	AISI 1045 (C-240)	ALUMINUM
6204	6204						

THERMO-PROTECTORS				THERMISTORS	CONTROL	SPACE /n HEATERS
THERMOSTATS	PROTECTORS	WDG RTDs	BRG RTDs			
NONE	NOT	NONE	NONE	NONE	FALSE	NONE VOLTS

If Inverter equals NONE, contact factory for further information

INVERTER TORQUE: NONE
INV. HP SPEED RANGE: NONE
ENCODER: NONE
NONE NONE
NONE NONE PPR
BRAKE: NONE NONE
NONE P/N NONE
NONE NONE
NONE FT-LB NONE V NONE Hz

*
N
O
T
E
S
*

DATE: 06/28/2017 04:06:19 AM
 FORM 3531 REV.3 02/07/99

** Subject to change without notice.