

# PRODUCT INFORMATION PACKET

**marathon®**  
Motors

Model No: 080T17FH5331

Catalog No: R413

1 HP General Purpose, 3 phase, 1800 RPM, 575 V, 80M Frame, TEFC  
Aluminium TEFC Motors



Regal and Marathon are trademarks of Regal Beloit Corporation or one of its affiliated companies.  
©2019 Regal Beloit Corporation, All Rights Reserved. MC017097E

**REGAL**



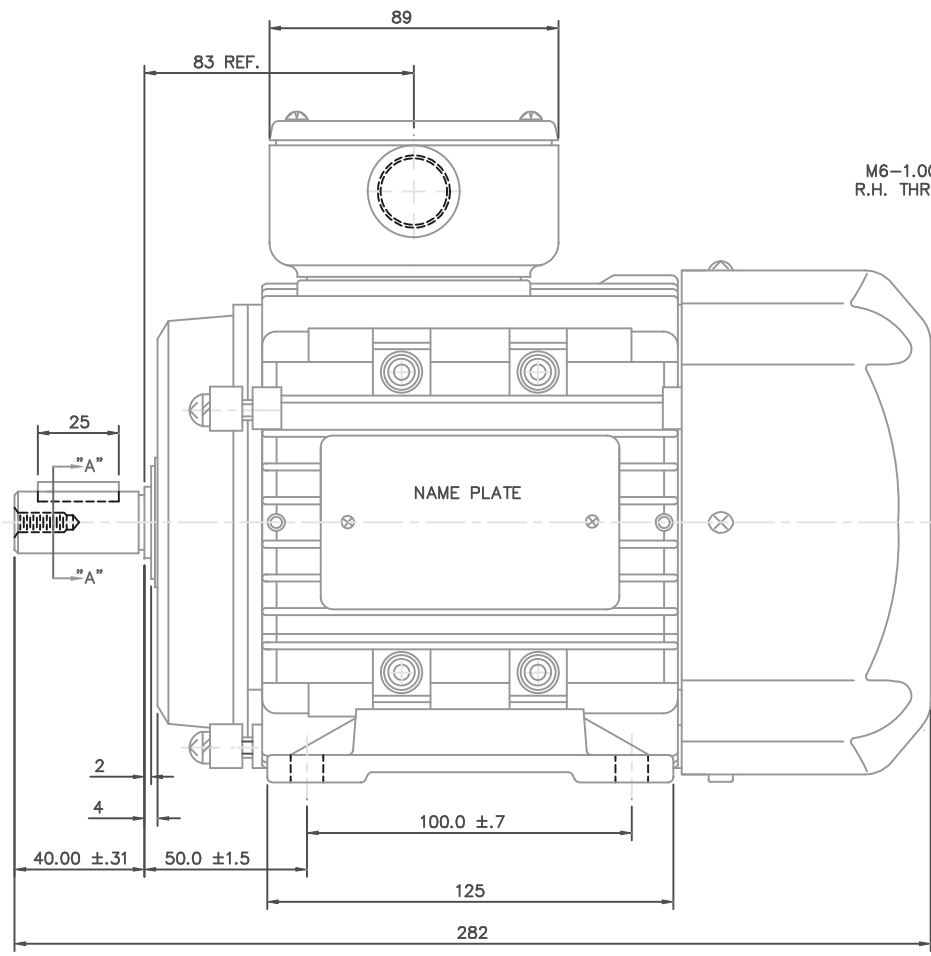
### Nameplate Specifications

Output HP	<b>1 Hp</b>	Output KW	<b>0.75 kW</b>
Frequency	<b>60 Hz</b>	Voltage	<b>575 V</b>
Current	<b>1.4 A</b>	Speed	<b>1725 rpm</b>
Service Factor	<b>1.15</b>	Phase	<b>3</b>
Efficiency	<b>73 %</b>	Power Factor	<b>80</b>
Duty	<b>Continuous</b>	Insulation Class	<b>F</b>
Design Code	<b>B</b>	KVA Code	<b>L</b>
Frame	<b>80M</b>	Enclosure	<b>Totally Enclosed Fan Cooled</b>
Thermal Protection	<b>No</b>	Ambient Temperature	<b>40 °C</b>
Drive End Bearing Size	<b>6204</b>	Opp Drive End Bearing Size	<b>6204</b>
UL	<b>Recognized</b>	CSA	<b>Y</b>
CE	<b>Y</b>	IP Code	<b>55</b>

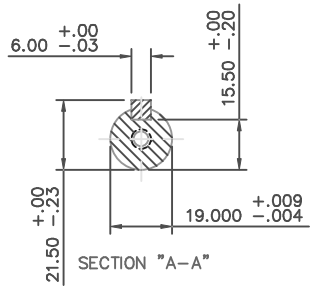
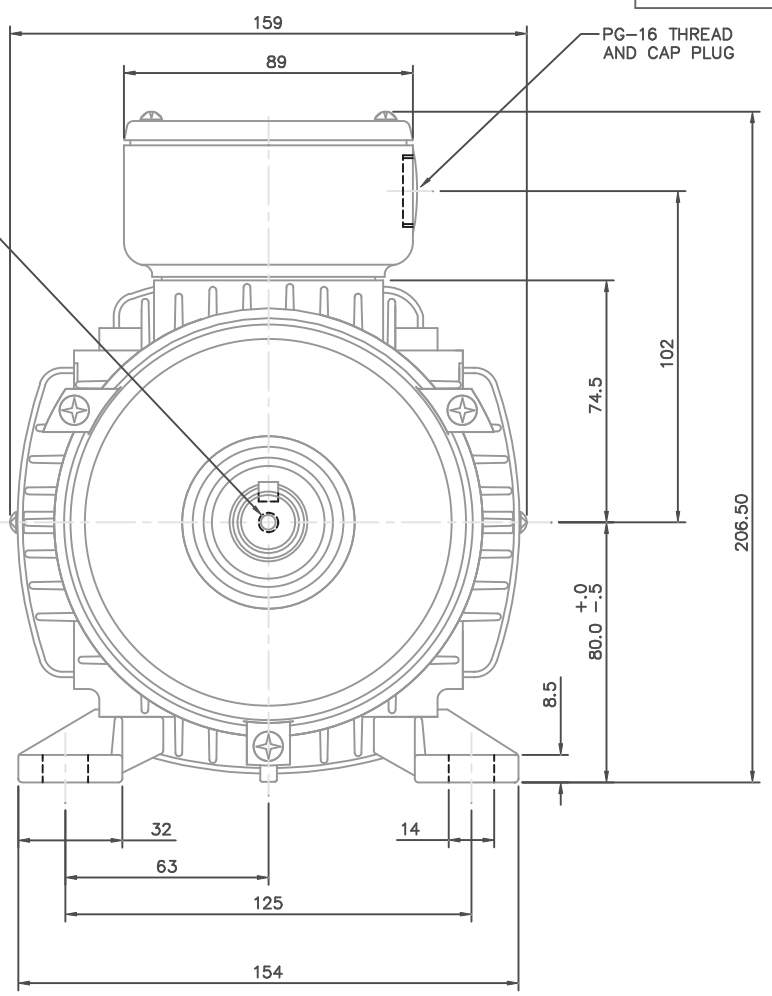
### Technical Specifications

Electrical Type	<b>Squirrel Cage Inverter Rated</b>	Starting Method	<b>Line Or Inverter</b>
Poles	<b>4</b>	Rotation	<b>Reversible</b>
Resistance Main	<b>19.9 Ohms</b>	Mounting	<b>Rigid Base</b>
Motor Orientation	<b>Horizontal</b>	Drive End Bearing	<b>Ball</b>
Opp Drive End Bearing	<b>Ball</b>	Frame Material	<b>Aluminum</b>
Shaft Type	<b>IEC</b>	Overall Length	<b>11.10 in</b>
Frame Length	<b>5.31 in</b>	Shaft Diameter	<b>0.750 in</b>
Shaft Extension	<b>1.57 in</b>	Assembly/Box Mounting	<b>F3</b>

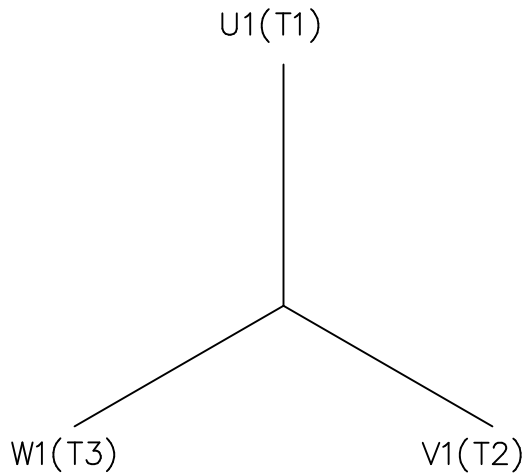
This is an uncontrolled document once printed or downloaded and is subject to change without notice. Date Created:01/11/2019



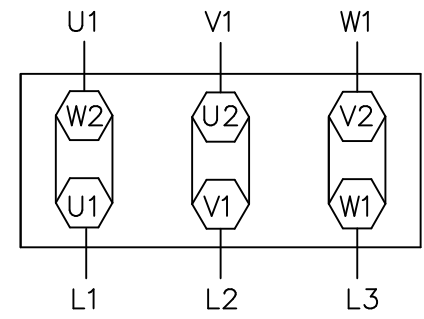
M6-1.00 x 16 DEEP  
R.H. THREADED SHAFT



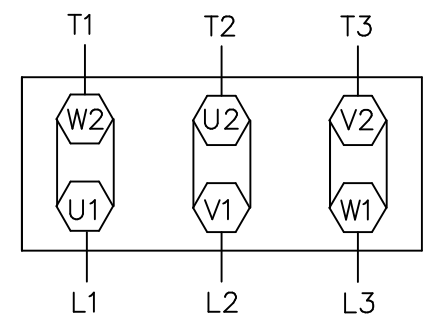
		TOLERANCES UNLESS SPECIFIED				DRAWN	RDW 2/4/04		
		DEC.	METRIC			CHK			
		.X	±2.5	TITLE	METRIC OUTLINE, IMB3 IEC-80 FRAME TEFC	APPD	SW 2/4/04		
		.XX	±.76	MAT'L	ALUMINUM	SCALE	1=1.5		
		.XXX	±.127	FINISH		REF	OSVC-300-552		
		.XXXX	±.0127			FMF			
NO.	REVISION	BY & DATE	CHK	ANG	±7'30"	PREV			
THIS DRAWING IN DESIGN AND DETAIL IS OUR PROPERTY AND MUST NOT BE USED EXCEPT IN CONNECTION WITH OUR WORK. ALL RIGHTS OF DESIGN AND INVENTION ARE RESERVED. THIS IS AN ELECTRONICALLY GENERATED DOCUMENT - DO NOT SCALE THIS PRINT				RFP	CAD FILE	16986100ME	SIZE	DRAWING NO.	REV.
				DIST			B	169861-00ME	



IEC MARKINGS



NEMA MARKINGS



TO REVERSE ROTATION  
INTERCHANGE ANY TWO  
LINE LEADS

		TOLERANCES UNLESS SPECIFIED	
		DEC.	INCHES
		.X	±.1
		.XX	±.01
		.XXX	±.005
		.XXXX	±.0005
NO.	REVISION	BY & DATE	CHK ANG ±1/2°



TITLE EXTERNAL WIRING DIAGRAM  
TYPE "T" W/O PROT W/TERM. BLOCK

MAT'L.

FINISH

DRAWN	JGO 3/10/04
CHK	
APPD	
SCALE	3=4
REF	
FMF	
PREV	

THIS DRAWING IN DESIGN AND DETAIL IS OUR PROPERTY AND MUST NOT BE USED EXCEPT IN CONNECTION WITH OUR WORK ALL RIGHTS OF DESIGN AND INVENTION ARE RESERVED THIS IS AN ELECTRONICALLY GENERATED DOCUMENT - DO NOT SCALE THIS PRINT		RFP	CAD FILE	00546801ME	SIZE	DRAWING NO.	REV.
		DIST			A	005468-01ME	