

# PRODUCT INFORMATION PACKET

**marathon**<sup>®</sup>  
Motors

Model No: 080T17FH15414  
Catalog No: R373A  
1,1800,TEFC,80C,3/60/230/460  
TEFC



Regal and Marathon are trademarks of Regal Beloit Corporation or one of its affiliated companies.  
©2018 Regal Beloit Corporation, All Rights Reserved. MC017097E

**REGAL**<sup>®</sup>



### Nameplate Specifications

Output HP	<b>1 Hp</b>	Output KW	<b>0.75 kW</b>
Frequency	<b>60 Hz</b>	Voltage	<b>230/460 V</b>
Current	<b>3.0/1.5 A</b>	Speed	<b>1740 rpm</b>
Service Factor	<b>1.15</b>	Phase	<b>3</b>
Efficiency	<b>85.5 %</b>	Duty	<b>Continuous</b>
Insulation Class	<b>F</b>	Design Code	<b>NO DESIGN CODE</b>
KVA Code	<b>J</b>	Frame	<b>D80C</b>
Enclosure	<b>Totally Enclosed Fan Cooled</b>	Overload Protector	<b>No</b>
Ambient Temperature	<b>40 °C</b>	Drive End Bearing Size	<b>6204</b>
Opp Drive End Bearing Size	<b>6204</b>	UL	<b>Recognized</b>
CSA	<b>N</b>	CE	<b>Y</b>
IP Code	<b>55</b>		

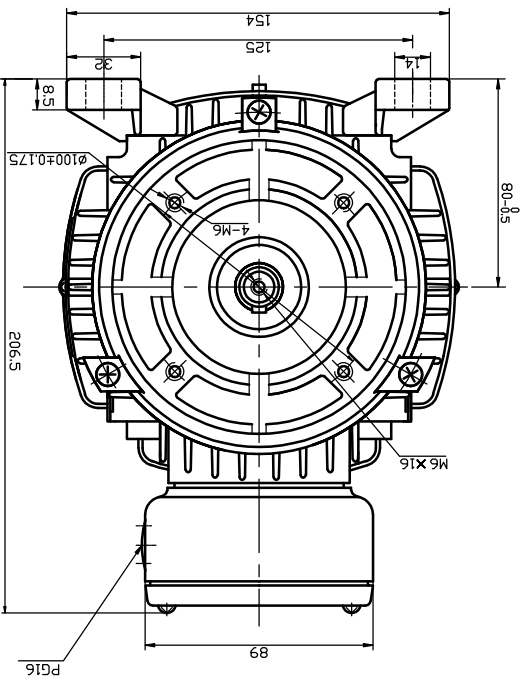
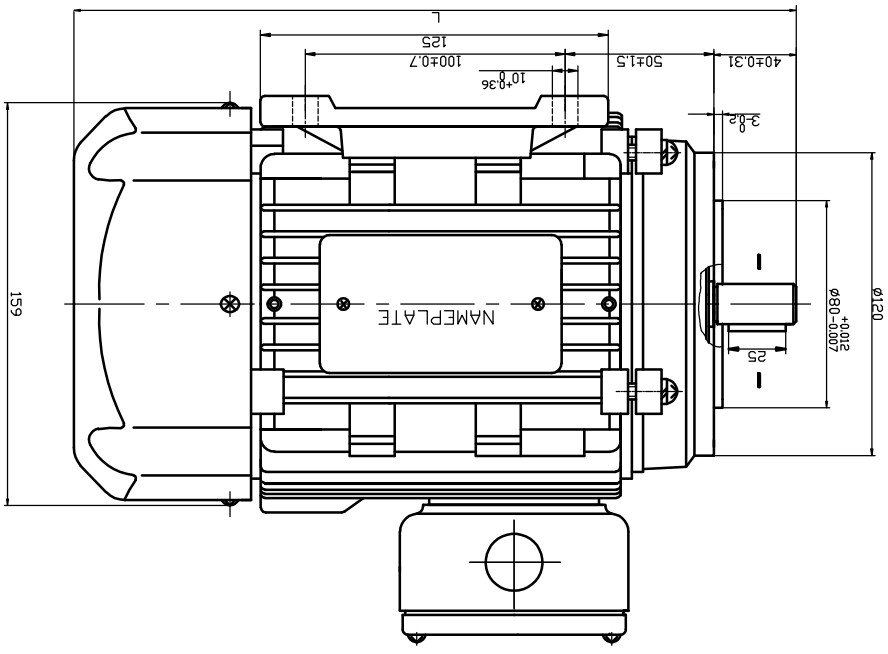
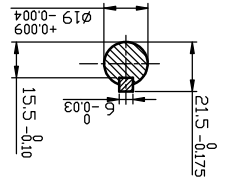
### Technical Specifications

Electrical Type	<b>Squirrel Cage Induction Run</b>	Starting Method	<b>Across The Line</b>
Poles	<b>4</b>	Rotation	<b>Reversible</b>
Mounting	<b>Rigid base</b>	Motor Orientation	<b>Horizontal</b>
Drive End Bearing	<b>Ball</b>	Opp Drive End Bearing	<b>Ball</b>
Frame Material	<b>Aluminum</b>	Shaft Type	<b>IEC</b>
Overall Length	<b>11.88 in</b>	Shaft Diameter	<b>0.750 in</b>
Shaft Extension	<b>1.57 in</b>	Assembly/Box Mounting	<b>F3</b>
Outline Drawing	<b>039072-R327A</b>	Connection Diagram	<b>00546501ME</b>

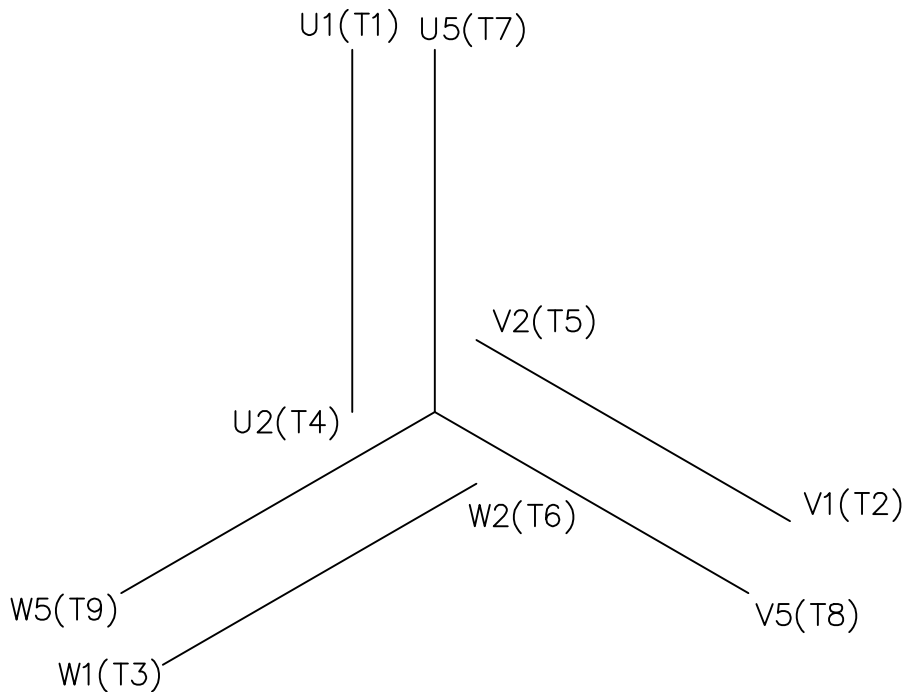
This is an uncontrolled document once printed or downloaded and is subject to change without notice. Date Created: 06/29/2018

THIS DRAWING IN DESIGN AND DETAIL IS OUR PROPERTY AND MUST NOT BE USED EXCEPT IN CONNECTION WITH OUR WORK ALL RIGHTS OF DESIGN AND INVENTION ARE RESERVED									
THIS IS AN ELECTRONICALLY GENERATED DOCUMENT - DO NOT SCALE THIS PRINT									
NO.	REVISION								
	BY & DATE	CHK'D	CHG'D	FRACTIONS	± 1/64	ANGLES	± 1/2°	FHF.	REV.
				XXXX	± .0005	± .0005	± .0127	SCALE	SMC
				XX	± .005	± .005	± .127	R.F.P.	
				X	± .1	± .25	± .76	APPR.	
					± .1	± .25	± .76	DRAWN VX 16/12/01	
					DEC. INCHES	METRIC		TITLE	OUTLINE
					TOLERANCES UNLESS OTHERWISE SPECIFIED			REGAL BELOIT CORP.	

CAT LOG.	L	R372A	282	R373A	302	192247.00	302
----------	---	-------	-----	-------	-----	-----------	-----

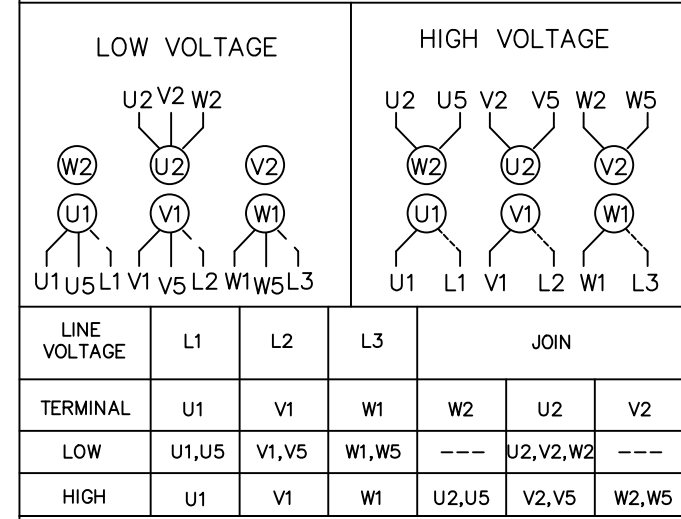


Uncontrolled Copy

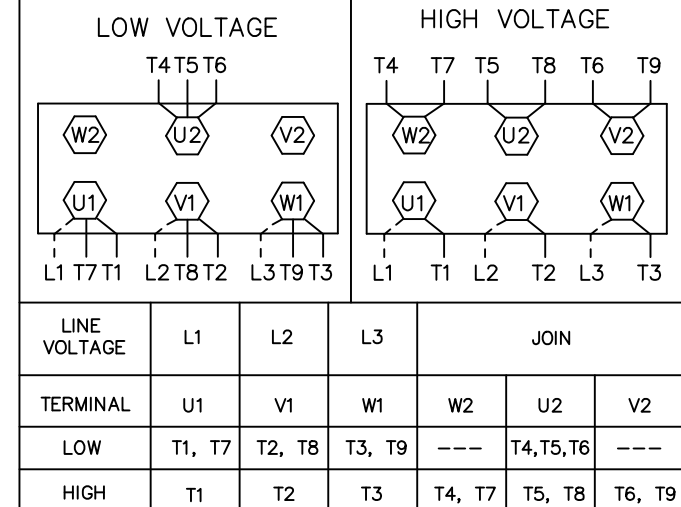


REF. DECAL (IEC) 080644  
REF. DECAL (NEMA) 080446

IEC MARKINGS



NEMA MARKINGS



		TOLERANCES UNLESS SPECIFIED				DRAWN JGO 3/10/04			
		DEC.	INCHES			CHK SB 02-17-2010			
		.X	±.1			APPD MJS 02-17-2010			
		.XX	±.01			SCALE 1=1			
		.XXX	±.005			REF			
		.XXXX	±.0005	MAT'L. IEC/NEMA MARKINGS		FMF			
NO.	REVISION	BY & DATE	CHK	ANG	±1/2'	FINISH	PREV		
THIS DRAWING IN DESIGN AND DETAIL IS OUR PROPERTY AND MUST NOT BE USED EXCEPT IN CONNECTION WITH OUR WORK ALL RIGHTS OF DESIGN AND INVENTION ARE RESERVED THIS IS AN ELECTRONICALLY GENERATED DOCUMENT - DO NOT SCALE THIS PRINT			RFP	02-17-2010	CAD FILE	00546501ME	SIZE A	DRAWING NO. 005465ME-01	REV.

**CERTIFICATION DATA SHEET**

Model#: 80T17FH15414 A WINDING#: QT8047 FR 3  
 CONN. DIAGRAM: 00546501ME ASSEMBLY: F3  
 OUTLINE: 039072

**TYPICAL MOTOR PERFORMANCE DATA**

HP	KW	SYNC. RPM	F.L. RPM	FRAME	ENCLOSURE	KVA CODE	DESIGN
1&1	.75&.75	1800	1740&1420	D80C	TEFC	J	NO DESIGN CODE

PH	Hz	VOLTS	FL AMPS	START TYPE	DUTY	INSL	S.F	AMB°C	ELEVATION
3	60/50	230/460#200/400	3.0/1.5&3.4/1.7	ACROSS THE LINE	CONTINUOUS	F5	1.15/1.15	40	3300

FULL LOAD EFF: 85.5&82.5	3/4 LOAD EFF: 84.9	1/2 LOAD EFF: 85.5	GTD. EFF	ELEC. TYPE	NO LOAD AMPS
FULL LOAD PF: 72&73	3/4 LOAD PF: 68	1/2 LOAD PF: 55.6	0	SQ CAGE IND RUN	1.7 / .9

F.L. TORQUE	LOCKED ROTOR AMPS	L.R. TORQUE	B.D. TORQUE	F.L. RISE°C
3 LB-FT	19.8 / 9.9	8.5 LB-FT 283	10 LB-FT 333	0

SOUND PRESSURE @ 3 FT.	SOUND POWER	ROTOR WK^2	MAX. WK^2	SAFE STALL TIME	STARTS /HOUR	APPROX. MOTOR WGT
0 dBA	10 dBA	0.63 LB-FT^2	0 LB-FT^2	0 SEC.	0	0 LBS.

**\*\*\* SUPPLEMENTAL INFORMATION \*\*\***

DE BRACKET TYPE	ODE BRACKET TYPE	MOUNT TYPE	ORIENTATION	SEVERE DUTY	HAZARDOUS LOCATION	DRIP COVER	SCREENS	PAINT
B14	STANDARD	RIGID	HORIZONTAL	FALSE	NONE	FALSE	NONE	BLUE (ENAMEL)

BEARINGS		GREASE	SHAFT TYPE	SPECIAL DE	SPECIAL ODE	SHAFT MATERIAL	FRAME MATERIAL
DE	OPE						
BALL	BALL	POLYREX EM	STANDARD IEC	NONE	NONE	AISI 1045 (C-240)	ALUMINUM
6204	6204						

THERMO-PROTECTORS				THERMISTORS	CONTROL	SPACE /n HEATERS
THERMOSTATS	PROTECTORS	WDG RTDs	BRG RTDs			
NONE	NOT	NONE	NONE	NONE	FALSE	NONE VOLTS

If Inverter equals NONE, contact factory for further information

INVERTER TORQUE: NONE
INV. HP SPEED RANGE: NONE
ENCODER: NONE
NONE NONE
NONE NONE PPR
BRAKE: NONE NONE
NONE P/N NONE
NONE NONE
NONE FT-LB NONE V NONE Hz

\*  
N  
O  
T  
E  
S  
\*

DATE: 06/28/2017 03:53:56 AM  
 FORM 3531 REV.3 02/07/99

\*\* Subject to change without notice.