

PRODUCT INFORMATION PACKET

marathon[®]
Motors

Model No: 080T11FH5412
Catalog No: R371
3/4, 1200, TEFC, 80D, 3/60/230/460
TEFC



Regal and Marathon are trademarks of Regal Beloit Corporation or one of its affiliated companies.
©2018 Regal Beloit Corporation, All Rights Reserved. MC017097E

REGAL[®]



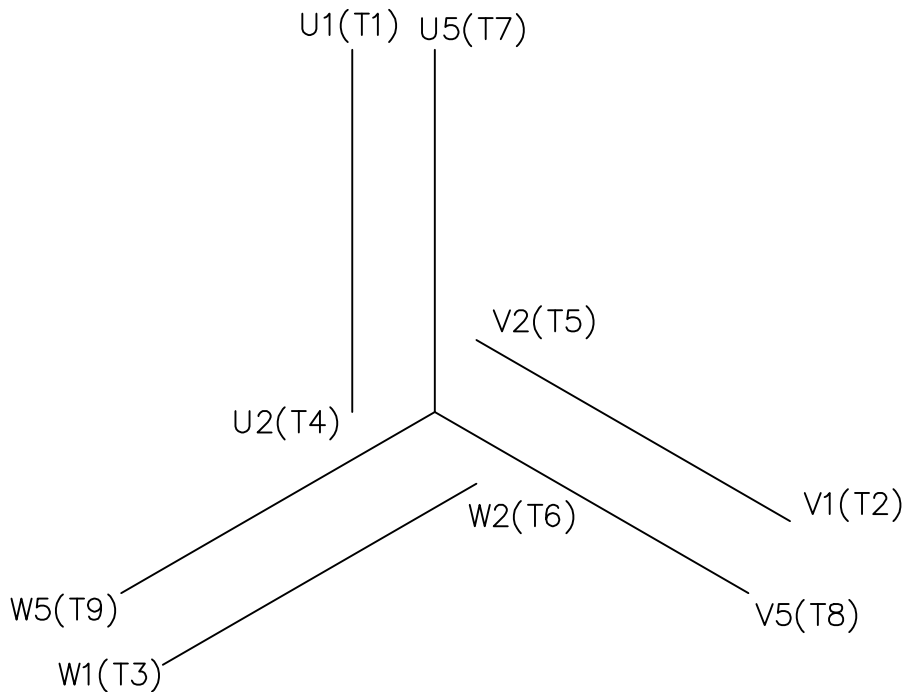
Nameplate Specifications

Output HP	0.75 Hp	Output KW	0.56 kW
Frequency	60 Hz	Voltage	230/460 V
Current	2.7/1.4 A	Speed	1130 rpm
Service Factor	1.15	Phase	3
Efficiency	72 %	Duty	Continuous
Insulation Class	F	Design Code	B
KVA Code	H	Frame	80
Enclosure	Totally Enclosed Fan Cooled	Overload Protector	No
Ambient Temperature	40 °C	Drive End Bearing Size	6204
Opp Drive End Bearing Size	6204	UL	Recognized
CSA	Y	CE	Y
IP Code	55		

Technical Specifications

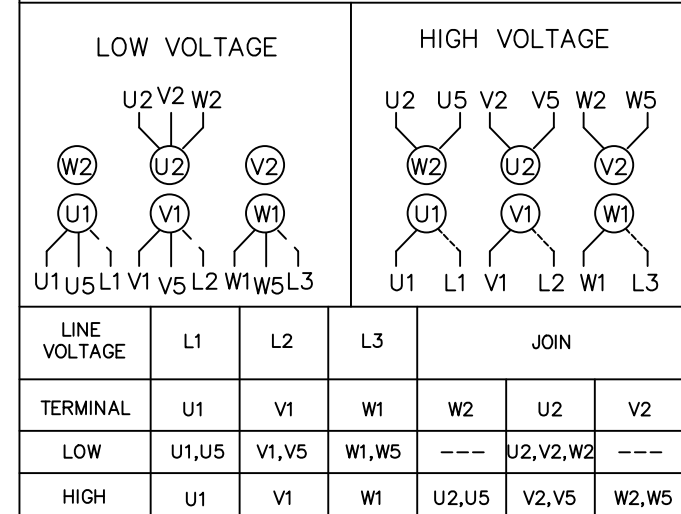
Electrical Type	Squirrel Cage Inverter Rated	Starting Method	Line Or Inverter
Poles	6	Rotation	Reversible
Mounting	Rigid base	Motor Orientation	Horizontal
Drive End Bearing	Ball	Opp Drive End Bearing	Ball
Frame Material	Aluminum	Shaft Type	IEC
Overall Length	11.1 in	Shaft Diameter	0.750 in
Shaft Extension	1.57 in	Assembly/Box Mounting	F3
Outline Drawing	16986500ME	Connection Diagram	00546501ME

This is an uncontrolled document once printed or downloaded and is subject to change without notice. Date Created: 06/29/2018

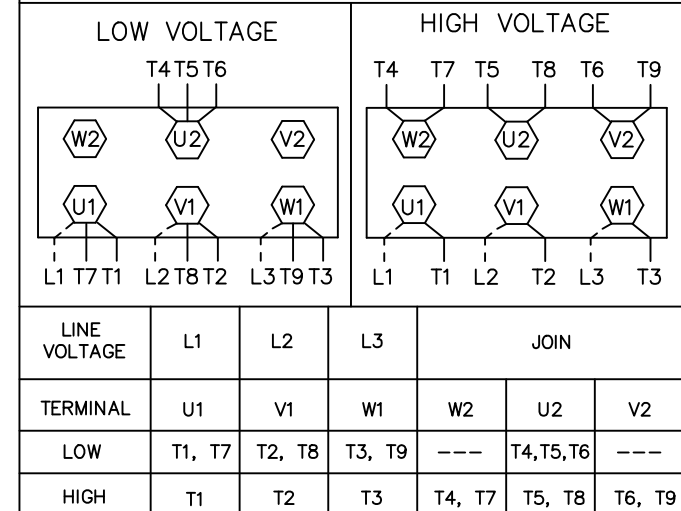


REF. DECAL (IEC) 080644
REF. DECAL (NEMA) 080446

IEC MARKINGS



NEMA MARKINGS



				TOLERANCES UNLESS SPECIFIED			DRAWN JGO 3/10/04			
				DEC.	INCHES		CHK SB 02-17-2010			
				.X	±.1		APPD MJS 02-17-2010			
				.XX	±.01		SCALE 1=1			
				.XXX	±.005		REF			
				.XXXX	±.0005	MAT'L. IEC/NEMA MARKINGS				
NO.	REVISION	BY & DATE	CHK	ANG	±1/2'	FINISH	FMF	PREV		
THIS DRAWING IN DESIGN AND DETAIL IS OUR PROPERTY AND MUST NOT BE USED EXCEPT IN CONNECTION WITH OUR WORK ALL RIGHTS OF DESIGN AND INVENTION ARE RESERVED THIS IS AN ELECTRONICALLY GENERATED DOCUMENT - DO NOT SCALE THIS PRINT				RFP	02-17-2010	CAD FILE	00546501ME	SIZE	DRAWING NO.	REV.
				DIST				A	005465ME-01	

