



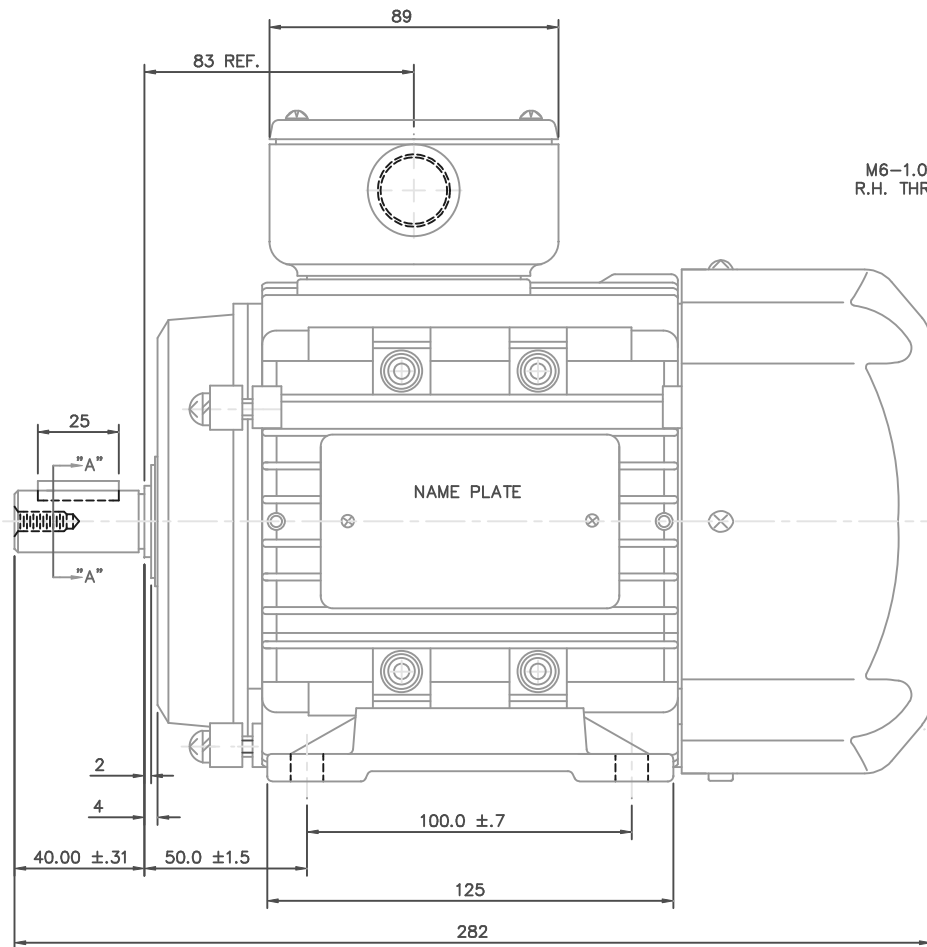
Nameplate Specifications

Output HP	0.50 Hp	Output KW	0.37 kW
Frequency	60 Hz	Voltage	230/460 V
Current	1.9/0.95 A	Speed	1130 rpm
Service Factor	1.15	Phase	3
Efficiency	72 %	Duty	Continuous
Insulation Class	F	Design Code	B
KVA Code	H	Frame	80TZ
Enclosure	Totally Enclosed Fan Cooled	Overload Protector	No
Ambient Temperature	40 °C	Drive End Bearing Size	6204
Opp Drive End Bearing Size	6204	UL	Recognized
CSA	Y	CE	Y
IP Code	55		

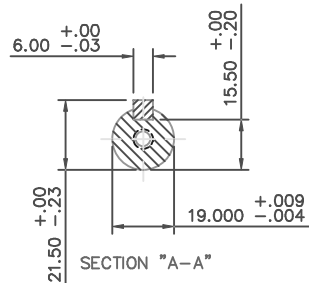
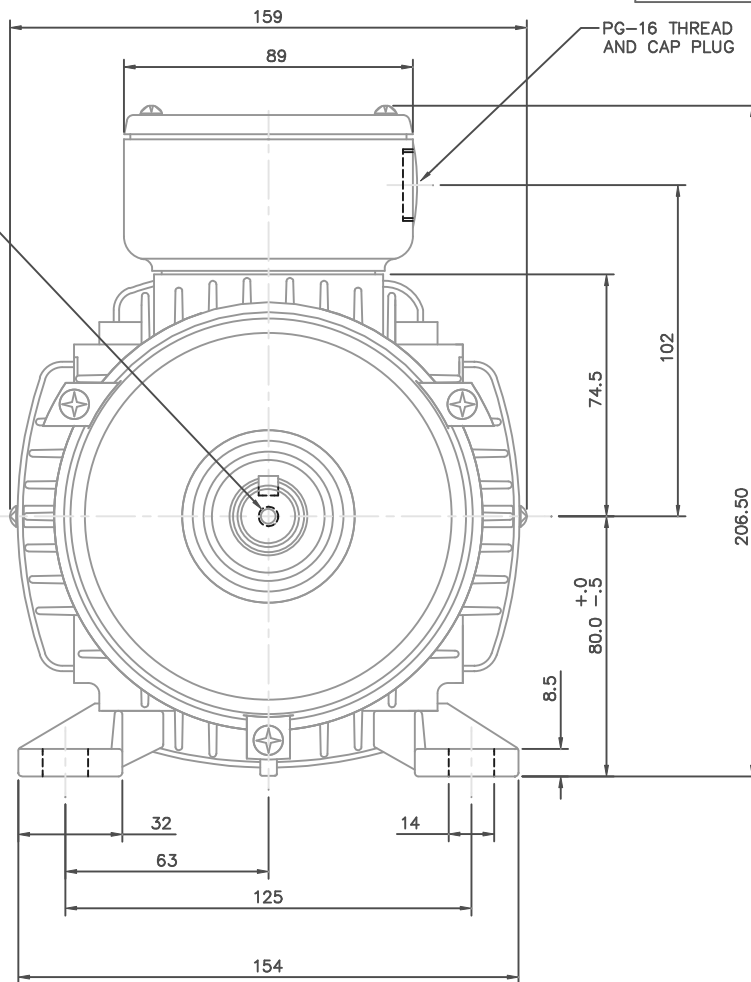
Technical Specifications

Electrical Type	Squirrel Cage Inverter Rated	Starting Method	Line Or Inverter
Poles	6	Rotation	Reversible
Mounting	Rigid base	Motor Orientation	Horizontal
Drive End Bearing	Ball	Opp Drive End Bearing	Ball
Frame Material	Aluminum	Shaft Type	IEC
Overall Length	11.1 in	Shaft Diameter	0.750 in
Shaft Extension	1.57 in	Assembly/Box Mounting	F3
Outline Drawing	16986100ME	Connection Diagram	00546501ME

This is an uncontrolled document once printed or downloaded and is subject to change without notice. Date Created: 06/29/2018



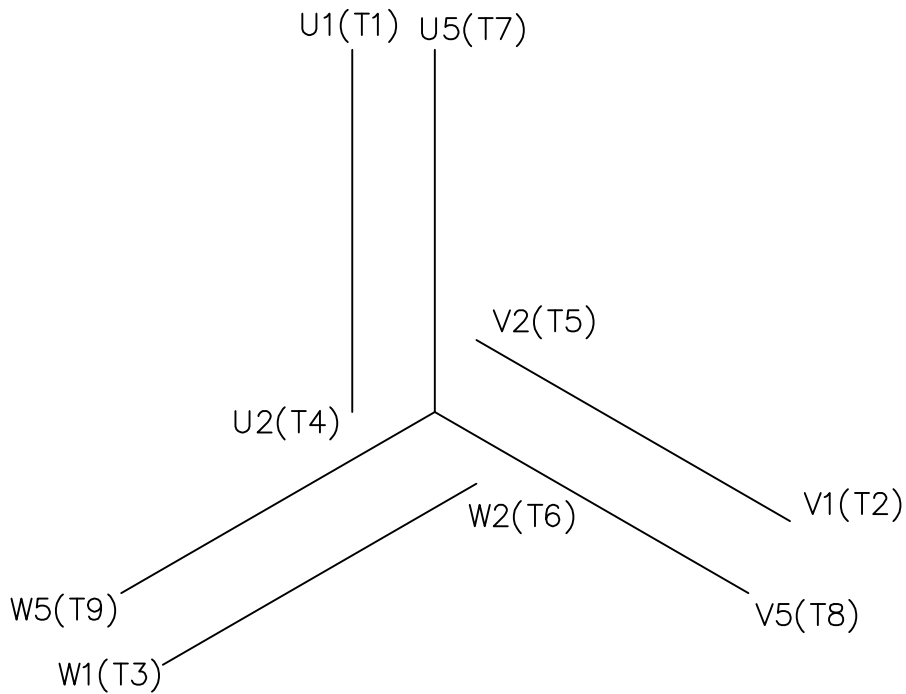
M6-1.00 x 16 DEEP
R.H. THREADED SHAFT



NO.		REVISION	BY & DATE	CHK	ANG	±7'30"	FINISH	PREV				
THIS DRAWING IN DESIGN AND DETAIL IS OUR PROPERTY AND MUST NOT BE USED EXCEPT IN CONNECTION WITH OUR WORK. ALL RIGHTS OF DESIGN AND INVENTION ARE RESERVED. THIS IS AN ELECTRONICALLY GENERATED DOCUMENT - DO NOT SCALE THIS PRINT							RFP	CAD FILE	16986100ME	SIZE	DRAWING NO.	REV.
							DIST		B	169861-00ME		

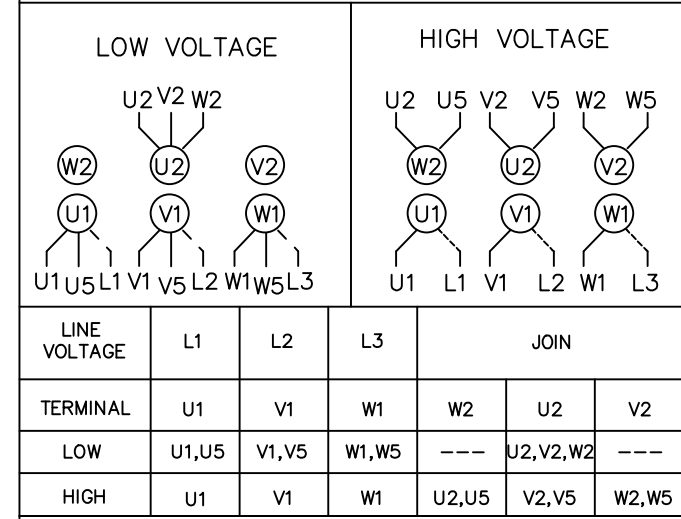
TOLERANCES UNLESS SPECIFIED		DRAWN	
DEC.	METRIC	RDW	2/4/04
.X	±2.5	CHK	
.XX	±.76	APPD	SW 2/4/04
.XXX	±.127	SCALE	1=1.5
.XXXX	±.0127	REF	OSVC-300-552
MATERIAL		ALUMINUM	
FINISH		PREV	

TITLE		METRIC OUTLINE, IMB3 IEC-80 FRAME TEFC	
MATERIAL		ALUMINUM	
FINISH		PREV	

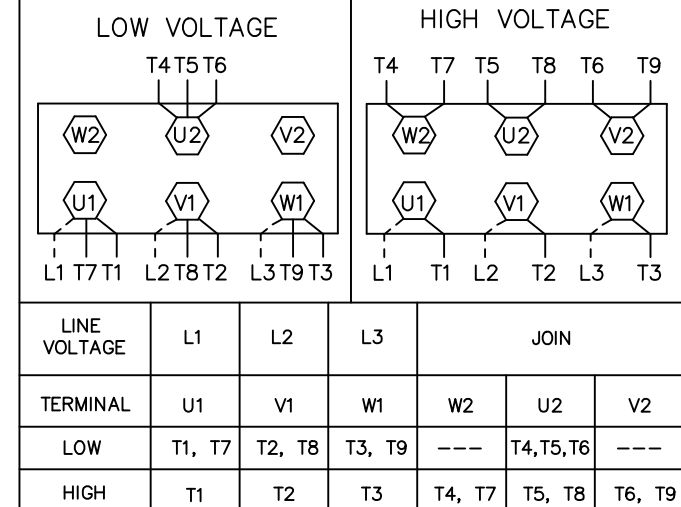


REF. DECAL (IEC) 080644
REF. DECAL (NEMA) 080446

IEC MARKINGS



NEMA MARKINGS



				TOLERANCES UNLESS SPECIFIED			DRAWN JGO 3/10/04	
				DEC.	INCHES		CHK SB 02-17-2010	
				.X	±.1		APPD MJS 02-17-2010	
				.XX	±.01		SCALE 1=1	
				.XXX	±.005		REF	
				.XXXX	±.0005	FMF		
NO.	REVISION	BY & DATE	CHK	ANG	±1/2'	FINISH	PREV	
THIS DRAWING IN DESIGN AND DETAIL IS OUR PROPERTY AND MUST NOT BE USED EXCEPT IN CONNECTION WITH OUR WORK ALL RIGHTS OF DESIGN AND INVENTION ARE RESERVED THIS IS AN ELECTRONICALLY GENERATED DOCUMENT - DO NOT SCALE THIS PRINT				RFP	02-17-2010	CAD FILE	00546501ME	SIZE A
				DIST		DRAWING NO. 005465ME-01		REV.

