

PRODUCT INFORMATION PACKET

marathon[®]
Motors

Model No: 071T34FH5510
Catalog No: R389
3/4,3600,TEFC,71D,3/60/230/460
TEFC



Regal and Marathon are trademarks of Regal Beloit Corporation or one of its affiliated companies.
©2018 Regal Beloit Corporation, All Rights Reserved. MC017097E

REGAL[®]



Nameplate Specifications

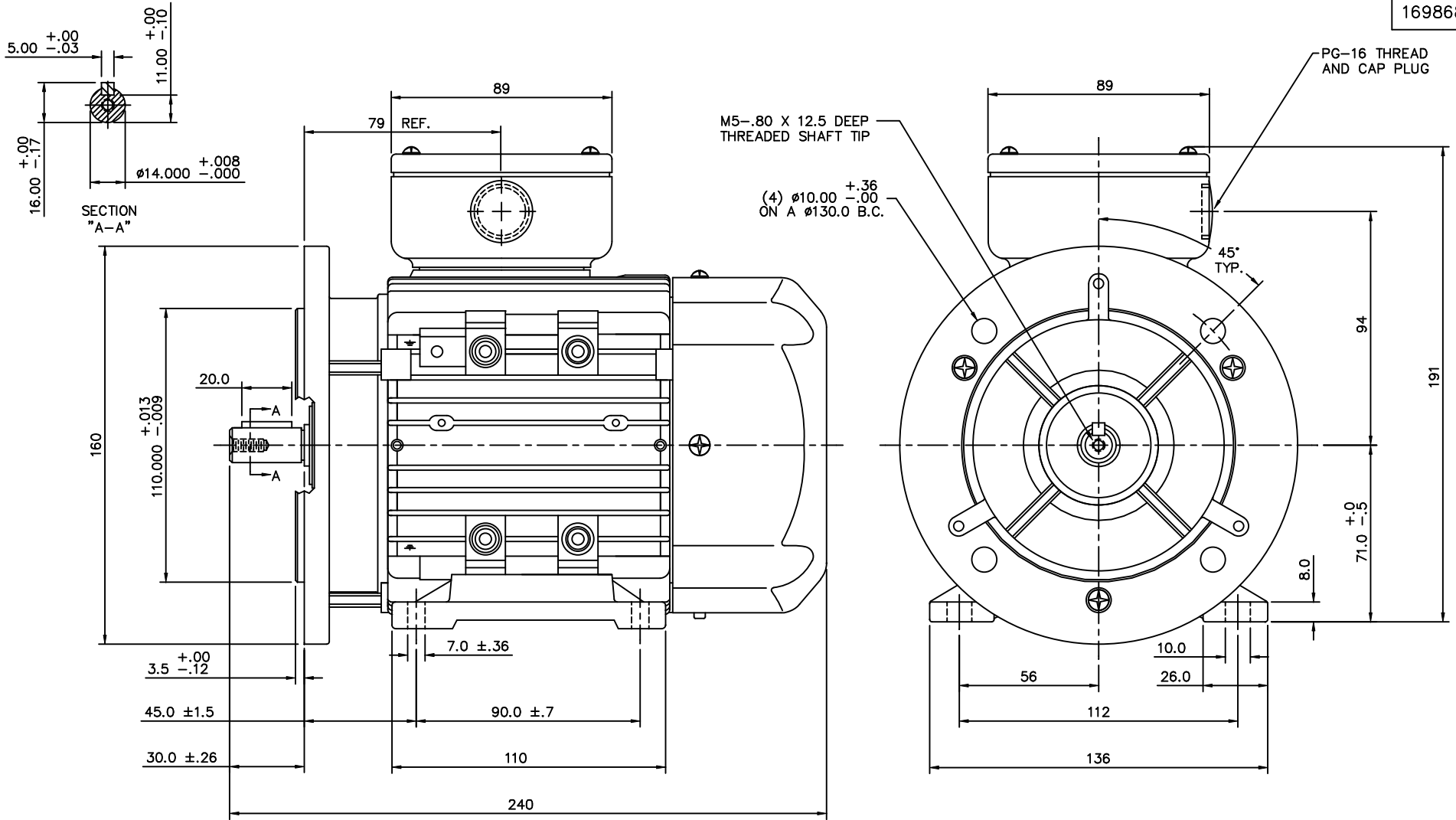
Output HP	0.75 Hp	Output KW	0.56 kW
Frequency	60 Hz	Voltage	230/460 V
Current	2.4/1.2 A	Speed	3400 rpm
Service Factor	1.15	Phase	3
Efficiency	74 %	Duty	Continuous
Insulation Class	F	Design Code	B
KVA Code	J	Frame	71
Enclosure	Totally Enclosed Fan Cooled	Overload Protector	No
Ambient Temperature	40 °C	Drive End Bearing Size	6203
Opp Drive End Bearing Size	6203	UL	Recognized
CSA	Y	CE	Y
IP Code	55		

Technical Specifications

Electrical Type	Squirrel Cage Inverter Rated	Starting Method	Line Or Inverter
Poles	2	Rotation	Reversible
Mounting	Rigid base	Motor Orientation	Horizontal
Drive End Bearing	Ball	Opp Drive End Bearing	Ball
Frame Material	Aluminum	Shaft Type	IEC
Overall Length	9.44 in	Shaft Diameter	0.555 in
Shaft Extension	1.18 in	Assembly/Box Mounting	F3
Outline Drawing	16986800ME	Connection Diagram	00546501ME

This is an uncontrolled document once printed or downloaded and is subject to change without notice. Date Created: 06/29/2018

169868-00ME

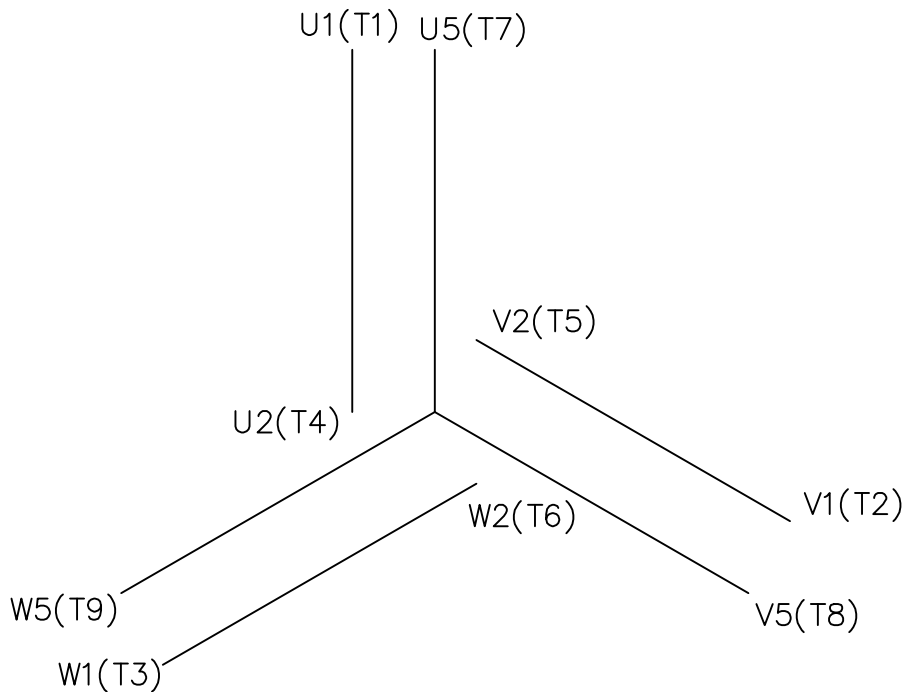


		TOLERANCES UNLESS SPECIFIED		MARATHON ELECTRIC		DRAWN ADS 01/31/02
		DEC.	INCHES			CHK
		.X	$\pm .1$			APPD
		.XX	$\pm .03$	TITLE		SCALE 1=1.5
		.XXX	$\pm .005$	IEC-71 FRAME RIGID MOUNT W/B5 FLANGE		REF OSVC-300-569
		.XXXX	$\pm .0005$	MAT'L ALUMINUM		FMF LEESON STOCK
NO.	REVISION	BY & DATE	CHK	ANG	FINISH	PREV
THIS DRAWING IN DESIGN AND DETAIL IS OUR PROPERTY AND MUST NOT BE USED EXCEPT IN CONNECTION WITH OUR WORK ALL RIGHTS OF DESIGN AND INVENTION ARE RESERVED THIS IS AN ELECTRONICALLY GENERATED DOCUMENT - DO NOT SCALE THIS PRINT			RFP	CAD FILE	16986800ME	SIZE B
			DIST	DRAWING NO. 169868-00ME		REV.

ERROR: undefined
OFFENDING COMMAND: b

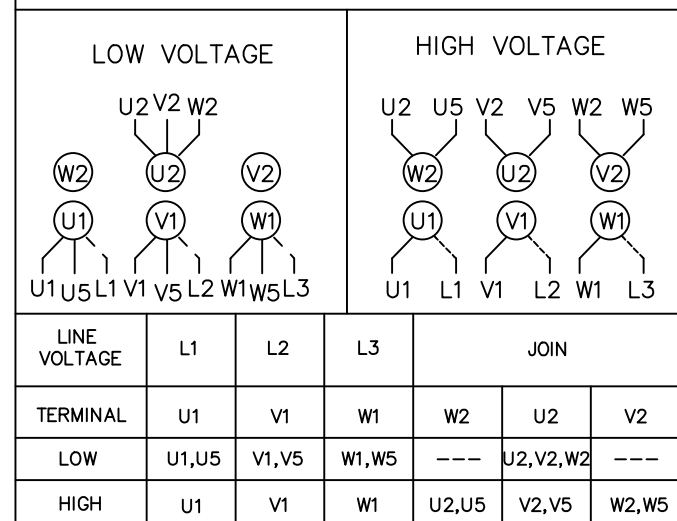
STACK:

```
{/hofs exch def /vofs exch def /wid exch def /hei exch def /datasize  
exch def /ds exch def gsave hofs vofs translate wid hei scale wid hei  
true [ wid 0 0 hei neg 0 hei ] ds 0 (/)/SubFileDecode filter /LZWDecode  
filter datasize dup 0 eq {pop pop pop pop pop pop }{string readstring  
pop imagemask }ifelse grestore }  
/im  
-savelevel-
```

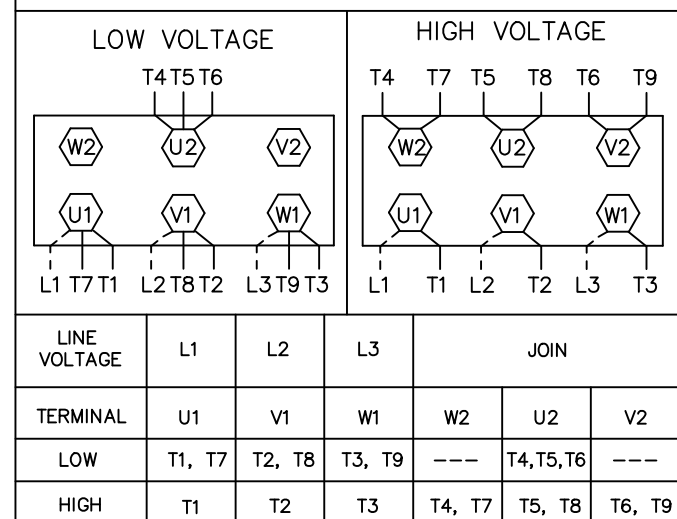


REF. DECAL (IEC) 080644
REF. DECAL (NEMA) 080446

IEC MARKINGS



NEMA MARKINGS



				TOLERANCES UNLESS SPECIFIED				DRAWN JGO 3/10/04		
				DEC.	INCHES			CHK SB 02-17-2010		
				.X	±.1			APPD MJS 02-17-2010		
				.XX	±.01			SCALE 1=1		
				.XXX	±.005			REF		
				.XXXX	±.0005	MAT'L. IEC/NEMA MARKINGS		FMF		
NO.	REVISION	BY & DATE	CHK	ANG	±1/2'	FINISH		PREV		
THIS DRAWING IN DESIGN AND DETAIL IS OUR PROPERTY AND MUST NOT BE USED EXCEPT IN CONNECTION WITH OUR WORK ALL RIGHTS OF DESIGN AND INVENTION ARE RESERVED THIS IS AN ELECTRONICALLY GENERATED DOCUMENT - DO NOT SCALE THIS PRINT				RFP	02-17-2010	CAD FILE 00546501ME		SIZE	DRAWING NO.	REV.
				DIST				A	005465ME-01	

