

PRODUCT INFORMATION PACKET

marathon[®]
Motors

Model No: 071T34FH5507
Catalog No: R386
1/2,3600,TEFC,71D,3/60/230/460
TEFC



Regal and Marathon are trademarks of Regal Beloit Corporation or one of its affiliated companies.
©2018 Regal Beloit Corporation, All Rights Reserved. MC017097E

REGAL[®]



Nameplate Specifications

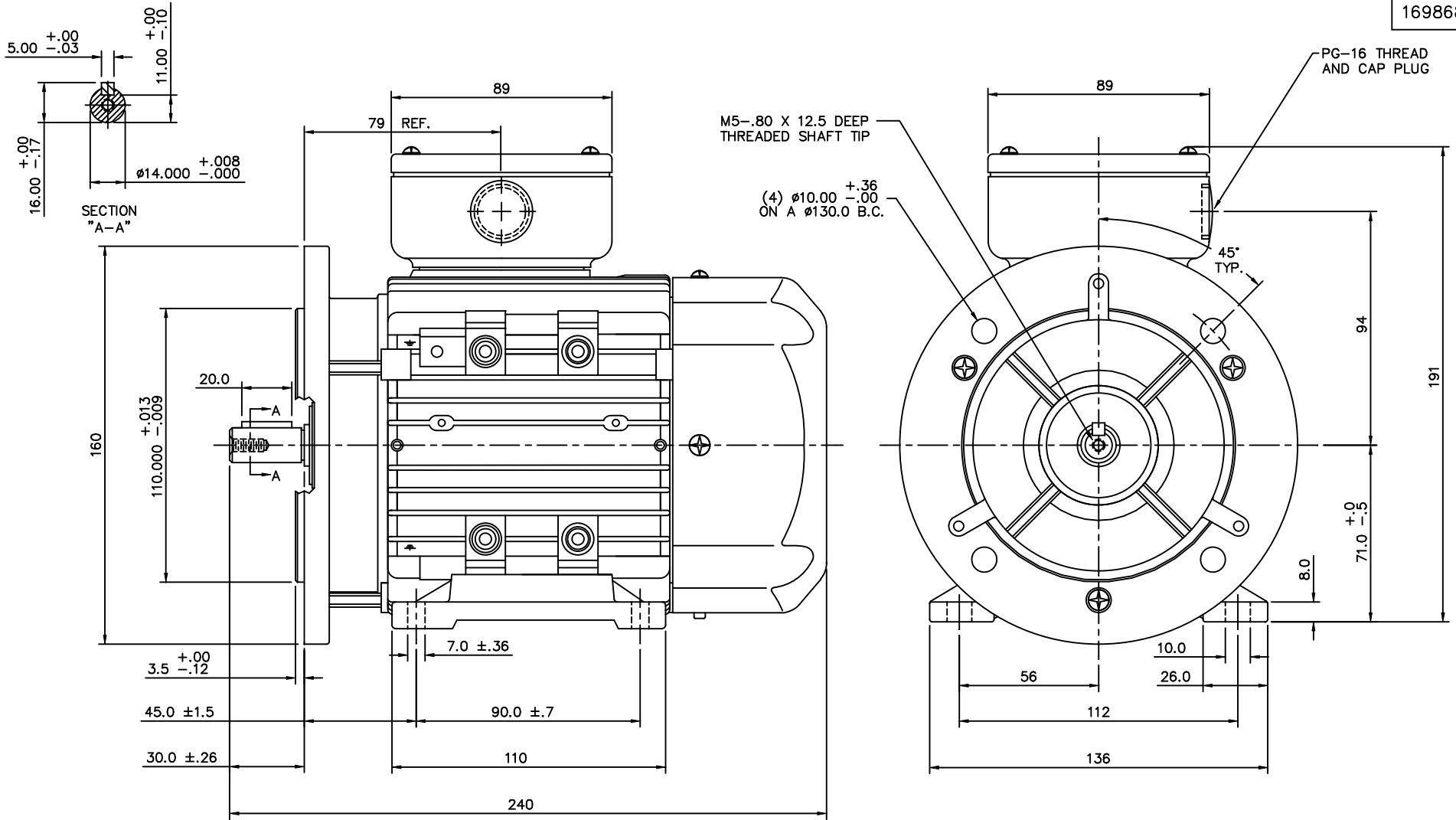
Output HP	0.50 Hp	Output KW	0.37 kW
Frequency	60 Hz	Voltage	230/460 V
Current	1.6/0.80 A	Speed	3410 rpm
Service Factor	1.15	Phase	3
Efficiency	74 %	Duty	Continuous
Insulation Class	F	Design Code	B
KVA Code	J	Frame	71
Enclosure	Totally Enclosed Fan Cooled	Overload Protector	No
Ambient Temperature	40 °C	Drive End Bearing Size	6203
Opp Drive End Bearing Size	6203	UL	Recognized
CSA	Y	CE	Y
IP Code	55		

Technical Specifications

Electrical Type	Squirrel Cage Inverter Rated	Starting Method	Line Or Inverter
Poles	2	Rotation	Reversible
Mounting	Rigid base	Motor Orientation	Horizontal
Drive End Bearing	Ball	Opp Drive End Bearing	Ball
Frame Material	Aluminum	Shaft Type	IEC
Overall Length	9.44 in	Shaft Diameter	0.555 in
Shaft Extension	1.18 in	Assembly/Box Mounting	F3
Outline Drawing	16986800ME	Connection Diagram	00546501ME

This is an uncontrolled document once printed or downloaded and is subject to change without notice. Date Created: 06/29/2018

169868-00ME

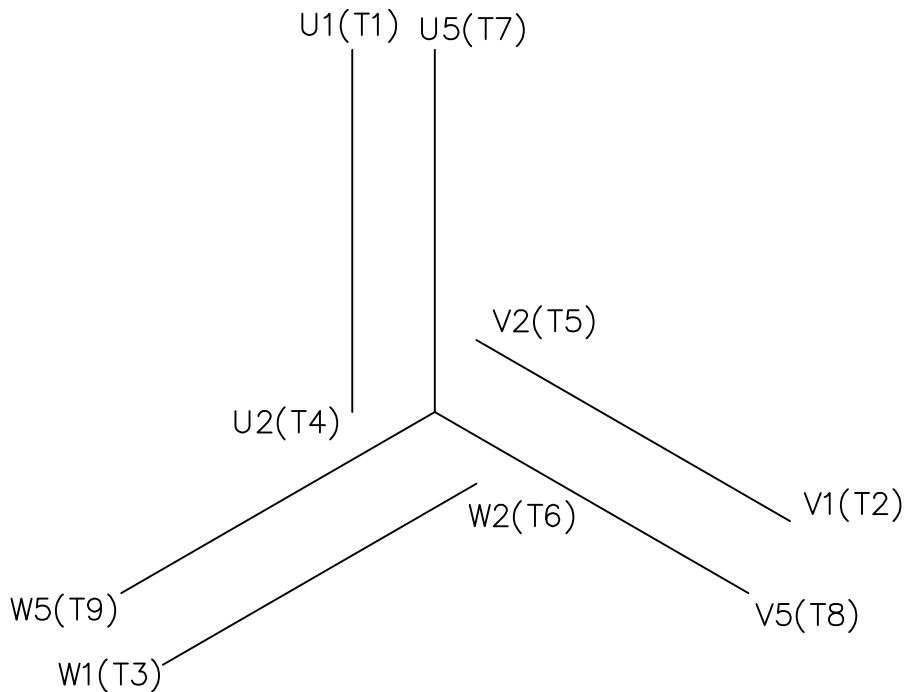


		TOLERANCES UNLESS SPECIFIED				DRAWN ADS 01/31/02
		DEC.	INCHES			CHK
		.X	$\pm .1$			APPD
		.XX	$\pm .03$	TITLE		SCALE 1=1.5
		.XXX	$\pm .005$	METRIC MOTOR OUTLINE, IMB35		REF OSVC-300-569
		.XXXX	$\pm .0005$	IEC-71 FRAME RIGID MOUNT W/B5 FLANGE		FMF LEESON STOCK
NO.	REVISION	BY & DATE	CHK	ANG	MAT'L	PREV
				$\pm 1/2^\circ$	FINISH	
THIS DRAWING IN DESIGN AND DETAIL IS OUR PROPERTY AND MUST NOT BE USED EXCEPT IN CONNECTION WITH OUR WORK ALL RIGHTS OF DESIGN AND INVENTION ARE RESERVED THIS IS AN ELECTRONICALLY GENERATED DOCUMENT - DO NOT SCALE THIS PRINT			RFP	CAD FILE	16986800ME	SIZE B
			DIST	DRAWING NO.		REV.
				169868-00ME		

ERROR: undefined
OFFENDING COMMAND: b

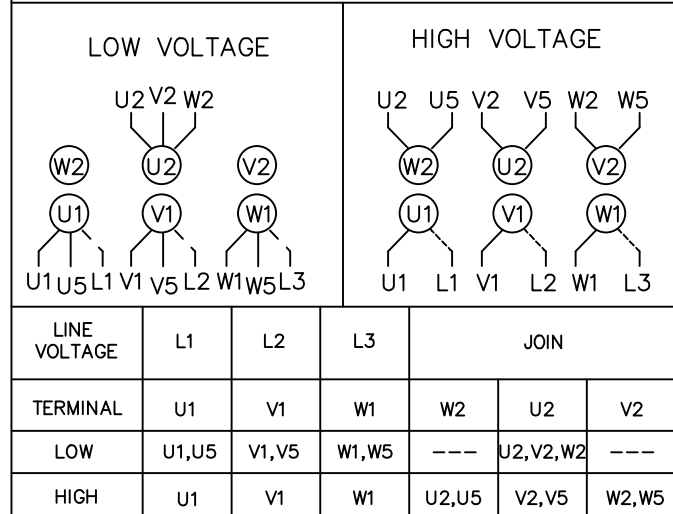
STACK:

```
{/hofs exch def /vofs exch def /wid exch def /hei exch def /datasize  
exch def /ds exch def gsave hofs vofs translate wid hei scale wid hei  
true [ wid 0 0 hei neg 0 hei ] ds 0 (/)/SubFileDecode filter /LZWDecode  
filter datasize dup 0 eq {pop pop pop pop pop pop }{string readstring  
pop imagemask }ifelse grestore }  
/im  
-savelevel-
```

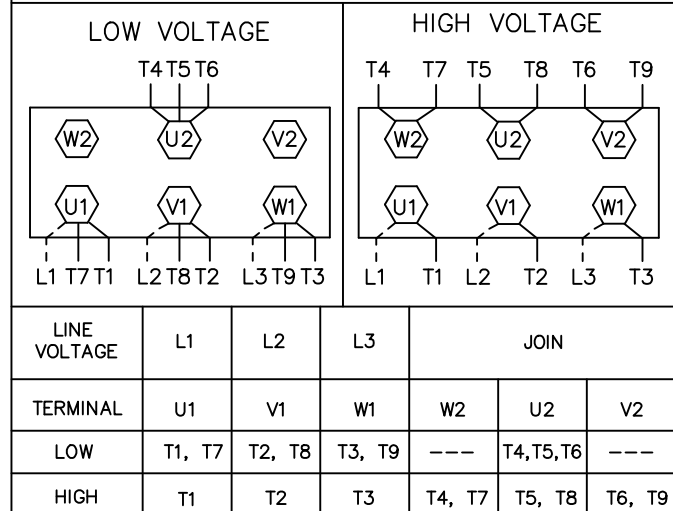


REF. DECAL (IEC) 080644
REF. DECAL (NEMA) 080446

IEC MARKINGS



NEMA MARKINGS



		TOLERANCES UNLESS SPECIFIED				DRAWN			
		DEC.	INCHES			JGO 3/10/04			
		.X	±.1			CHK SB 02-17-2010			
		.XX	±.01			APPD MJS 02-17-2010			
		.XXX	±.005			SCALE 1=1			
		.XXXX	±.0005	REF					
NO.	REVISION	BY & DATE	CHK	ANG	±1/2'	FINISH	FMF		
							PREV		
THIS DRAWING IN DESIGN AND DETAIL IS OUR PROPERTY AND MUST NOT BE USED EXCEPT IN CONNECTION WITH OUR WORK ALL RIGHTS OF DESIGN AND INVENTION ARE RESERVED THIS IS AN ELECTRONICALLY GENERATED DOCUMENT - DO NOT SCALE THIS PRINT			RFP	02-17-2010	CAD FILE	00546501ME	SIZE	DRAWING NO.	REV.
			DIST				A	005465ME-01	

CERTIFICATION DATA SHEET

Model#: 71T34FH5507 A WINDING#: QT7121 FR 3
 CONN. DIAGRAM: 00546501ME ASSEMBLY: F3
 OUTLINE: 16986800ME

TYPICAL MOTOR PERFORMANCE DATA

HP	KW	SYNC. RPM	F.L. RPM	FRAME	ENCLOSURE	KVA CODE	DESIGN
1/2&1/2	.37&.37	3600	3410&2790	71	TEFC	J	B

PH	Hz	VOLTS	FL AMPS	START TYPE	DUTY	INSL	S.F	AMB°C	ELEVATION
3	60/50	230/460#200/ 400	1.6/.8&1.9/.95	LINE OR INVERTER	CONTINUOU S	F5	1.15/1.15	40	3300

FULL LOAD EFF: 74	3/4 LOAD EFF: 70.7	1/2 LOAD EFF: 70.5	GTD. EFF	ELEC. TYPE	NO LOAD AMPS
FULL LOAD PF: 79	3/4 LOAD PF: 66.6	1/2 LOAD PF: 52.2	0	SQ CAGE INV RATED	1 / .5

F.L. TORQUE	LOCKED ROTOR AMPS	L.R. TORQUE	B.D. TORQUE	F.L. RISE°C
12 LB-FT	9.3 / 4.7	36 LB-FT 300	37.2 LB-FT 310	27

SOUND PRESSURE @ 3 FT.	SOUND POWER	ROTOR WK^2	MAX. WK^2	SAFE STALL TIME	STARTS /HOUR	APPROX. MOTOR WGT
0 dBA	10 dBA	0 LB-FT^2	0 LB-FT^2	0 SEC.	0	0 LBS.

*** SUPPLEMENTAL INFORMATION ***

DE BRACKET TYPE	ODE BRACKET TYPE	MOUNT TYPE	ORIENTATION	SEVERE DUTY	HAZARDOUS LOCATION	DRIP COVER	SCREENS	PAINT
B5	STANDARD	RIGID	HORIZONTAL	FALSE	NONE	FALSE	NONE	BLUE (ENAMEL)

BEARINGS		GREASE	SHAFT TYPE	SPECIAL DE	SPECIAL ODE	SHAFT MATERIAL	FRAME MATERIAL
DE	OPE						
BALL	BALL	POLYREX EM	STANDARD IEC	NONE	NONE	AISI 1045 (C-240)	ALUMINUM
6203	6203						

THERMO-PROTECTORS				THERMISTORS	CONTROL	SPACE /n HEATERS
THERMOSTATS	PROTECTORS	WDG RTDs	BRG RTDs			
NONE	NOT	NONE	NONE	NONE	FALSE	NONE VOLTS

If Inverter equals NONE, contact factory for further information

INVERTER TORQUE: CONSTANT 20:1
INV. HP SPEED RANGE: NONE
ENCODER: NONE
NONE NONE
NONE NONE PPR
BRAKE: NONE NONE
NONE P/N NONE
NONE NONE
NONE FT-LB NONE V NONE Hz

*
N
O
T
E
S
*

DATE: 06/28/2017 03:48:35 AM
 FORM 3531 REV.3 02/07/99

** Subject to change without notice.