

# PRODUCT INFORMATION PACKET

**marathon**<sup>®</sup>  
Motors

Model No: 071T34FH5410  
Catalog No: R369  
3/4,3600,TEFC,71C,3/60/230/460  
TEFC



Regal and Marathon are trademarks of Regal Beloit Corporation or one of its affiliated companies.

©2018 Regal Beloit Corporation, All Rights Reserved. MC017097E

**REGAL**<sup>®</sup>



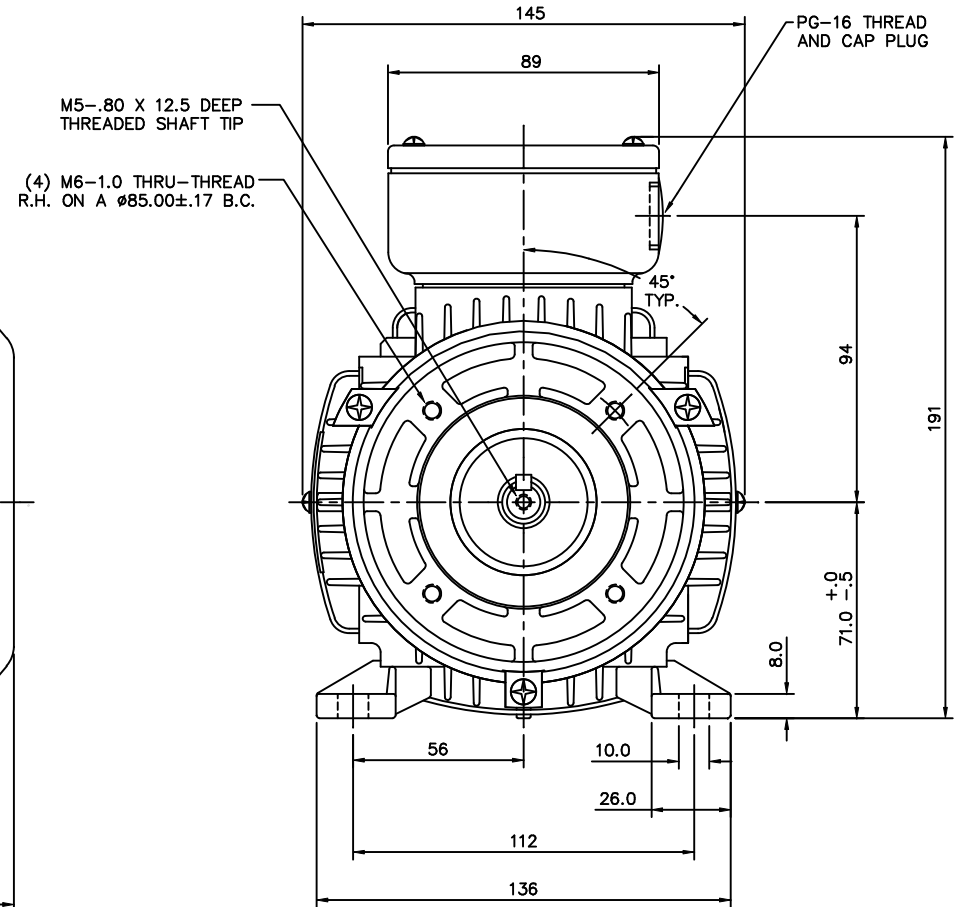
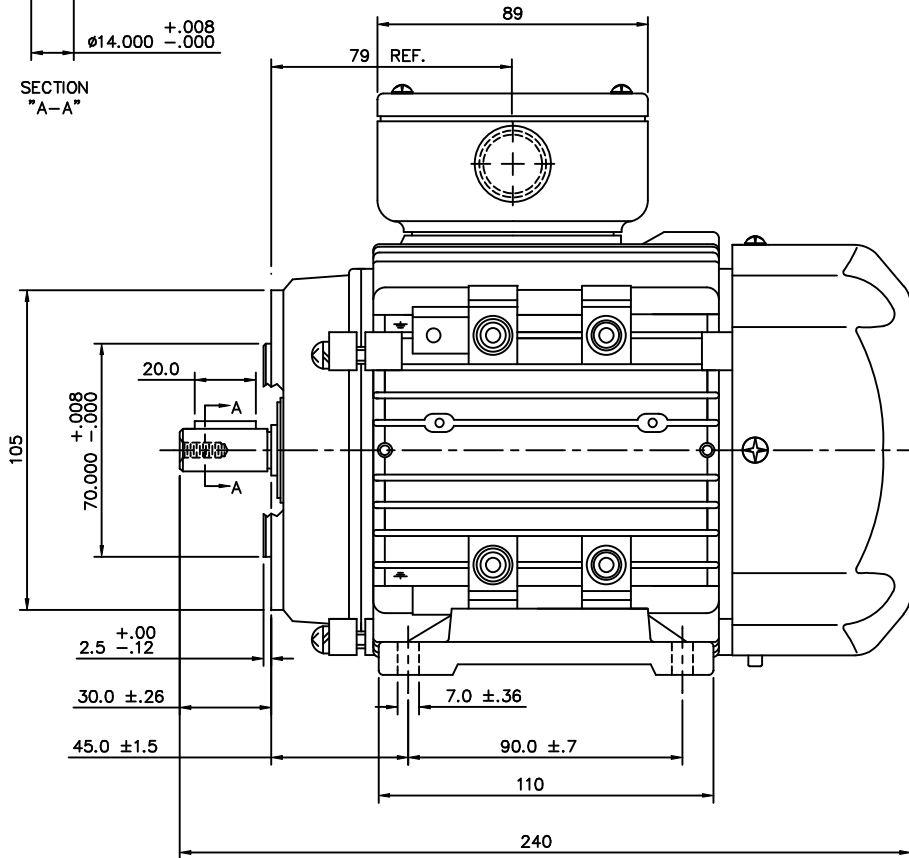
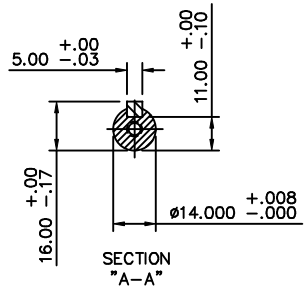
### Nameplate Specifications

Output HP	<b>0.75 Hp</b>	Output KW	<b>0.56 kW</b>
Frequency	<b>60 Hz</b>	Voltage	<b>230/460 V</b>
Current	<b>2.4/1.2 A</b>	Speed	<b>3400 rpm</b>
Service Factor	<b>1.15</b>	Phase	<b>3</b>
Efficiency	<b>74 %</b>	Duty	<b>Continuous</b>
Insulation Class	<b>F</b>	Design Code	<b>B</b>
KVA Code	<b>J</b>	Frame	<b>71</b>
Enclosure	<b>Totally Enclosed Fan Cooled</b>	Overload Protector	<b>No</b>
Ambient Temperature	<b>40 °C</b>	Drive End Bearing Size	<b>6203</b>
Opp Drive End Bearing Size	<b>6203</b>	UL	<b>Recognized</b>
CSA	<b>Y</b>	CE	<b>Y</b>
IP Code	<b>55</b>		

### Technical Specifications

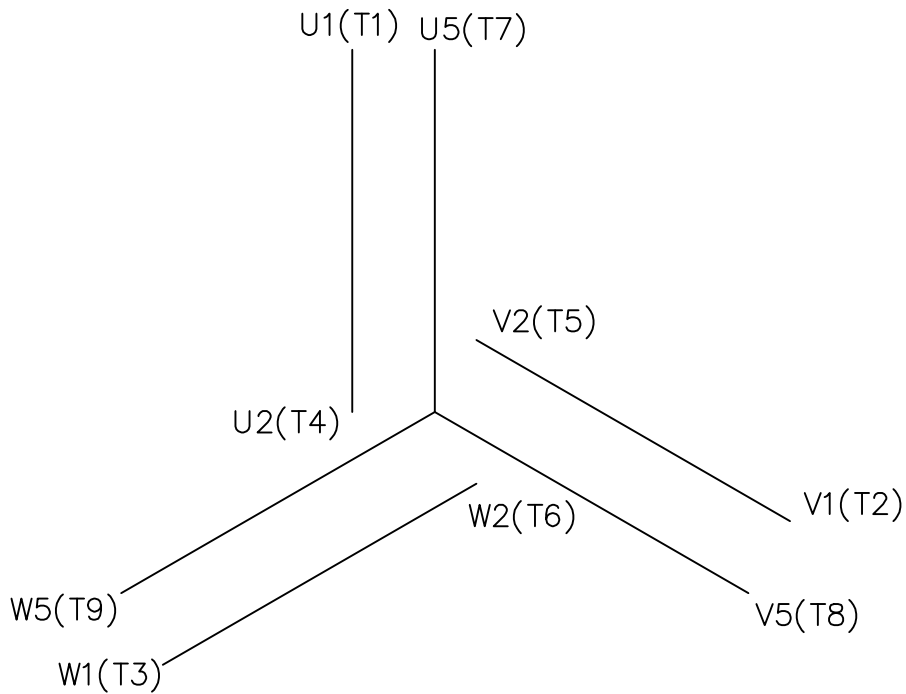
Electrical Type	<b>Squirrel Cage Inverter Rated</b>	Starting Method	<b>Line Or Inverter</b>
Poles	<b>2</b>	Rotation	<b>Reversible</b>
Mounting	<b>Rigid base</b>	Motor Orientation	<b>Horizontal</b>
Drive End Bearing	<b>Ball</b>	Opp Drive End Bearing	<b>Ball</b>
Frame Material	<b>Aluminum</b>	Shaft Type	<b>IEC</b>
Overall Length	<b>9.44 in</b>	Shaft Diameter	<b>0.555 in</b>
Shaft Extension	<b>1.18 in</b>	Assembly/Box Mounting	<b>F3</b>
Outline Drawing	<b>16986400ME</b>	Connection Diagram	<b>005465.01ME</b>

This is an uncontrolled document once printed or downloaded and is subject to change without notice. Date Created: 06/29/2018



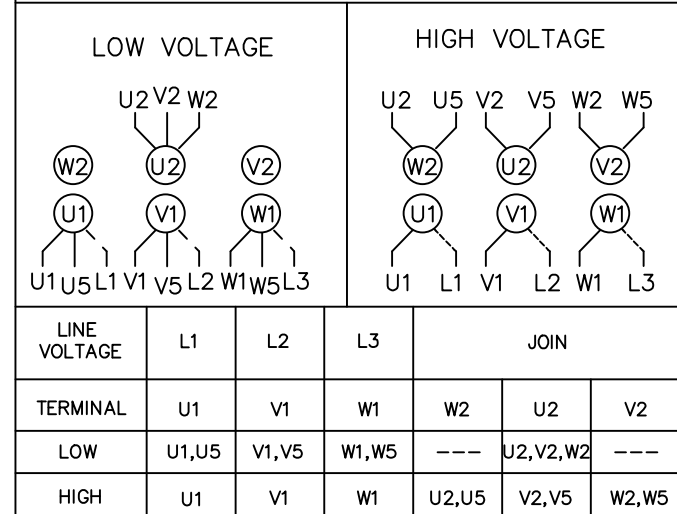
		TOLERANCES UNLESS SPECIFIED		MARATHON ELECTRIC	DRAWN
		DEC.	METRIC		CHK
		.X	±2.5		APPD
		.XX	±.76	TITLE	SCALE 1=1.6
		.XXX	±.127	METRIC MOTOR OUTLINE, IMB34 IEC-71 FRAME RIGID MOUNT W/B14 FLANGE	
		.XXXX	±.0127	MATL	REF 169864-00
				FINISH	FMF LEESON STOCK
NO.	REVISION	BY & DATE	CHK ANG ±7°30'	PREV	
THIS DRAWING IN DESIGN AND DETAIL IS OUR PROPERTY AND MUST NOT BE USED EXCEPT IN CONNECTION WITH OUR WORK ALL RIGHTS OF DESIGN AND INVENTION ARE RESERVED THIS IS AN ELECTRONICALLY GENERATED DOCUMENT - DO NOT SCALE THIS PRINT				RFP	CAD FILE 16986400ME
				DIST	SIZE B DRAWING NO. 169864-00ME REV.

ERROR: undefined  
OFFENDING COMMAND: Pscr  
STACK :

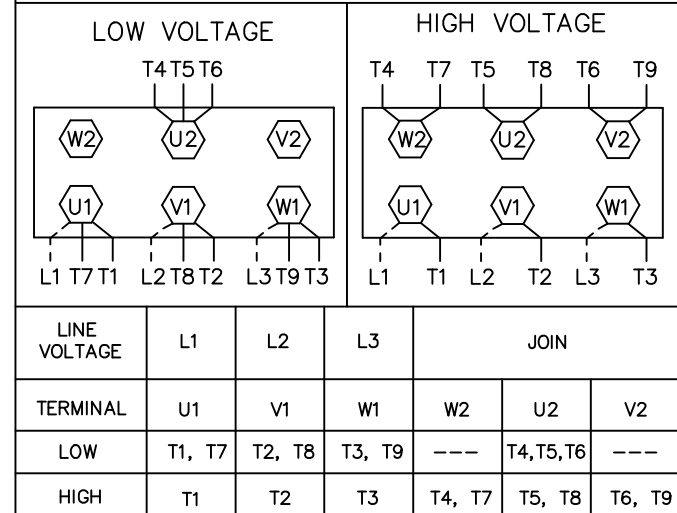


REF. DECAL (IEC) 080644  
REF. DECAL (NEMA) 080446

IEC MARKINGS



NEMA MARKINGS



		TOLERANCES UNLESS SPECIFIED		DRAWN					
		DEC.	INCHES	JGO 3/10/04					
		.X	±.1	CHK SB 02-17-2010					
		.XX	±.01	APPD MJS 02-17-2010					
		.XXX	±.005	SCALE 1=1					
		.XXXX	±.0005	REF					
NO.	REVISION	BY & DATE	CHK	ANG	FINISH	PREV			
THIS DRAWING IN DESIGN AND DETAIL IS OUR PROPERTY AND MUST NOT BE USED EXCEPT IN CONNECTION WITH OUR WORK ALL RIGHTS OF DESIGN AND INVENTION ARE RESERVED THIS IS AN ELECTRONICALLY GENERATED DOCUMENT - DO NOT SCALE THIS PRINT			RFP	02-17-2010	CAD FILE	00546501ME	SIZE	DRAWING NO.	REV.
			DIST				A	005465ME-01	



TITLE EXTERNAL WIRING DIAGRAM  
3 PHASE - DUAL VOLTAGE - W/TERM BLOCK

MAT'L. IEC/NEMA MARKINGS

**CERTIFICATION DATA SHEET**

**Model#:** 71T34FH5410 A                      **WINDING#:** QT7122 FR 3  
**CONN. DIAGRAM:** 005465.01ME            **ASSEMBLY:** F3  
**OUTLINE:** 16986400ME

**TYPICAL MOTOR PERFORMANCE DATA**

HP	KW	SYNC. RPM	F.L. RPM	FRAME	ENCLOSURE	KVA CODE	DESIGN
3/4&3/4	.56&.56	3600	3400&2780	71	TEFC	J	B

PH	Hz	VOLTS	FL AMPS	START TYPE	DUTY	INSL	S.F	AMB°C	ELEVATION
3	60/50	230/460#200/ 400	2.4/1.2&2.6/1. 3	LINE OR INVERTER	CONTINUOU S	F5	1.15/1.15	40	3300

FULL LOAD EFF: 74	3/4 LOAD EFF: 72.4	1/2 LOAD EFF: 67.9	GTD. EFF	ELEC. TYPE	NO LOAD AMPS
FULL LOAD PF: 79	3/4 LOAD PF: 76.4	1/2 LOAD PF: 66	0	SQ CAGE INV RATED	1.2 / .6

F.L. TORQUE	LOCKED ROTOR AMPS	L.R. TORQUE	B.D. TORQUE	F.L. RISE°C
17.8 LB-FT	13.6 / 6.8	68 LB-FT 378	63 LB-FT 350	36

SOUND PRESSURE @ 3 FT.	SOUND POWER	ROTOR WK^2	MAX. WK^2	SAFE STALL TIME	STARTS /HOUR	APPROX. MOTOR WGT
59 dBA	69 dBA	0 LB-FT^2	0 LB-FT^2	10 SEC.	0	- LBS.

**\*\*\* SUPPLEMENTAL INFORMATION \*\*\***

DE BRACKET TYPE	ODE BRACKET TYPE	MOUNT TYPE	ORIENTATION	SEVERE DUTY	HAZARDOUS LOCATION	DRIP COVER	SCREENS	PAINT
B14	STANDARD	RIGID	HORIZONTAL	FALSE	NONE	FALSE	NONE	BLUE (ENAMEL)

BEARINGS		GREASE	SHAFT TYPE	SPECIAL DE	SPECIAL ODE	SHAFT MATERIAL	FRAME MATERIAL
DE	OPE						
BALL	BALL	POLYREX EM	STANDARD IEC	NONE	NONE	AISI 1045 (C-240)	ALUMINUM
6203	6203						

THERMO-PROTECTORS				THERMISTORS	CONTROL	SPACE /n HEATERS
THERMOSTATS	PROTECTORS	WDG RTDs	BRG RTDs			
NONE	NOT	NONE	NONE	NONE	FALSE	NONE VOLTS

If Inverter equals NONE, contact factory for further information

\*  
N  
O  
T  
E  
S  
\*

INVERTER TORQUE: CONSTANT 20:1 INV. HP SPEED RANGE: NONE
ENCODER: NONE NONE NONE NONE NONE PPR
BRAKE: NONE NONE NONE P/N NONE NONE NONE NONE FT-LB NONE V NONE Hz

DATE: 06/28/2017 03:48:06 AM  
 FORM 3531 REV.3 02/07/99  
 \*\* Subject to change without notice.