



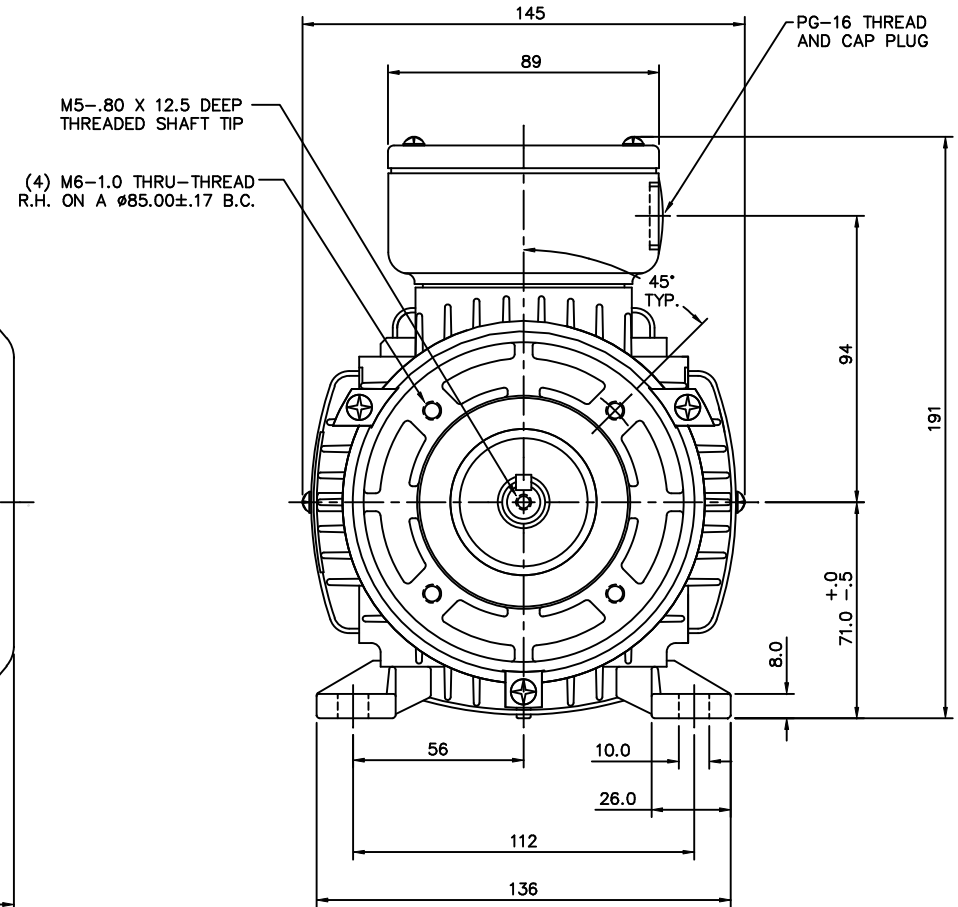
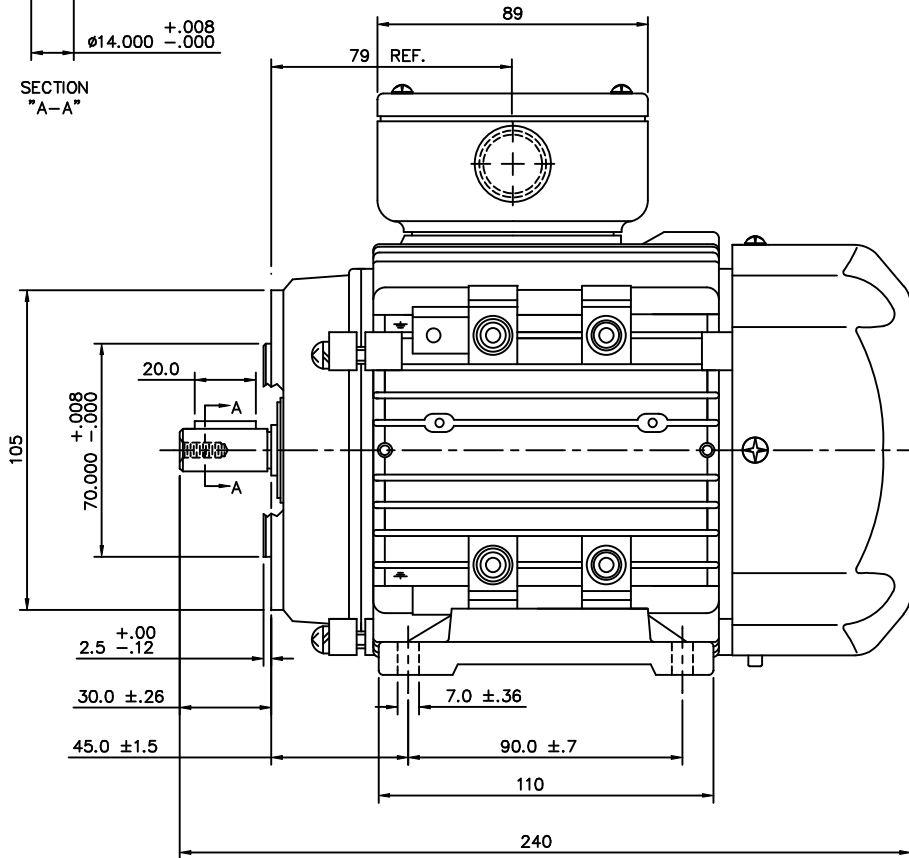
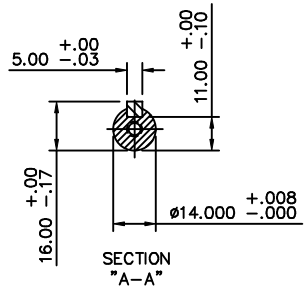
Nameplate Specifications

Output HP	0.50 Hp	Output KW	0.37 kW
Frequency	60 Hz	Voltage	230/460 V
Current	1.6/0.80 A	Speed	3410 rpm
Service Factor	1.15	Phase	3
Efficiency	74 %	Duty	Continuous
Insulation Class	F	Design Code	B
KVA Code	J	Frame	71
Enclosure	Totally Enclosed Fan Cooled	Overload Protector	No
Ambient Temperature	40 °C	Drive End Bearing Size	6203
Opp Drive End Bearing Size	6203	UL	Recognized
CSA	Y	CE	Y
IP Code	55		

Technical Specifications

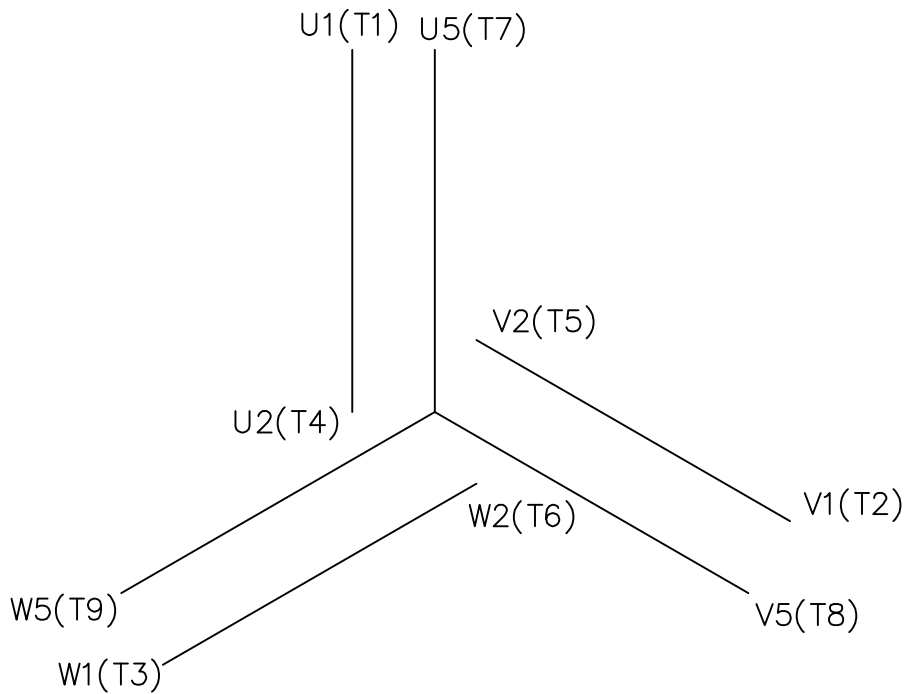
Electrical Type	Squirrel Cage Inverter Rated	Starting Method	Line Or Inverter
Poles	2	Rotation	Reversible
Mounting	Rigid base	Motor Orientation	Horizontal
Drive End Bearing	Ball	Opp Drive End Bearing	Ball
Frame Material	Aluminum	Shaft Type	IEC
Overall Length	9.44 in	Shaft Diameter	0.555 in
Shaft Extension	1.18 in	Assembly/Box Mounting	F3
Outline Drawing	16986400ME	Connection Diagram	005465.01ME

This is an uncontrolled document once printed or downloaded and is subject to change without notice. Date Created: 06/29/2018



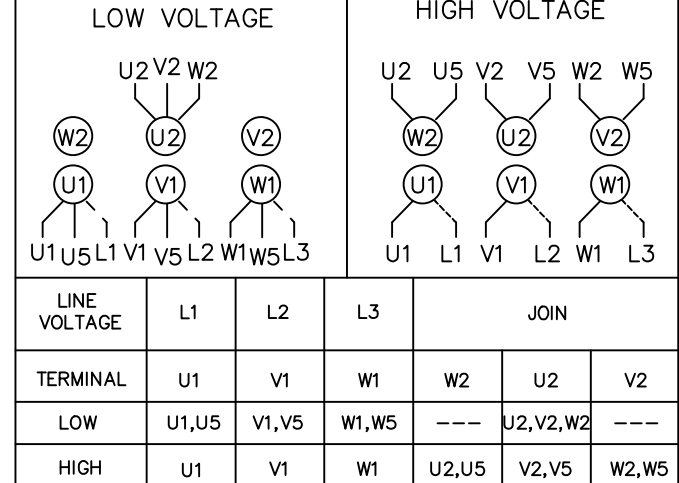
		TOLERANCES UNLESS SPECIFIED			DRAWN
		DEC.	METRIC		ADS 01/30/02
		.X	±2.5		CHK
		.XX	±.76	TITLE	APPD
		.XXX	±.127	METRIC MOTOR OUTLINE, IMB34	
		.XXXX	±.0127	IEC-71 FRAME RIGID MOUNT W/B14 FLANGE	
				MATL	SCALE 1=1.6
				FINISH	REF 169864-00
NO.	REVISION	BY & DATE	CHK ANG ±7°30'	ALUMINUM	FMF LEESON STOCK
THIS DRAWING IN DESIGN AND DETAIL IS OUR PROPERTY AND MUST NOT BE USED EXCEPT IN CONNECTION WITH OUR WORK ALL RIGHTS OF DESIGN AND INVENTION ARE RESERVED THIS IS AN ELECTRONICALLY GENERATED DOCUMENT - DO NOT SCALE THIS PRINT				RFP	PREV
				CAD FILE	16986400ME
				SIZE	DRAWING NO.
				B	169864-00ME
				DIST	REV.

ERROR: undefined
OFFENDING COMMAND: Pscr
STACK :

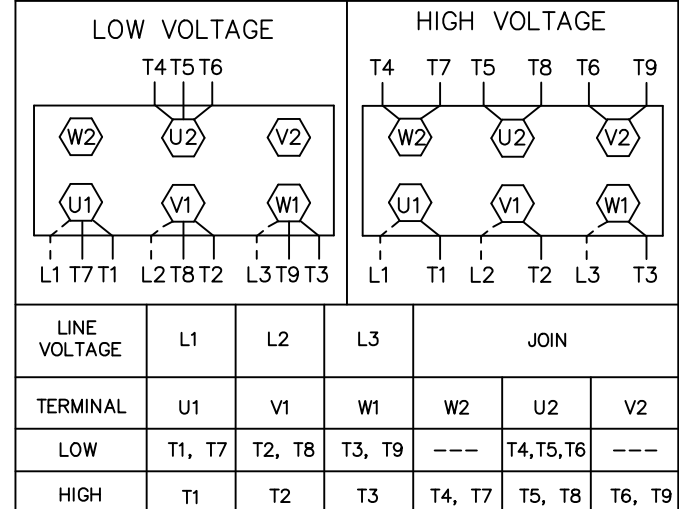


REF. DECAL (IEC) 080644
REF. DECAL (NEMA) 080446

IEC MARKINGS



NEMA MARKINGS



				TOLERANCES UNLESS SPECIFIED				DRAWN JGO 3/10/04		
				DEC.	INCHES			CHK SB 02-17-2010		
				.X	±.1			APPD MJS 02-17-2010		
				.XX	±.01			SCALE 1=1		
				.XXX	±.005			REF		
				.XXXX	±.0005	MAT'L. IEC/NEMA MARKINGS		FMF		
NO.	REVISION	BY & DATE	CHK	ANG	±1/2'	FINISH		PREV		
THIS DRAWING IN DESIGN AND DETAIL IS OUR PROPERTY AND MUST NOT BE USED EXCEPT IN CONNECTION WITH OUR WORK ALL RIGHTS OF DESIGN AND INVENTION ARE RESERVED THIS IS AN ELECTRONICALLY GENERATED DOCUMENT - DO NOT SCALE THIS PRINT				RFP	02-17-2010	CAD FILE 00546501ME		SIZE	DRAWING NO.	REV.
				DIST				A	005465ME-01	

