

# PRODUCT INFORMATION PACKET

**marathon**<sup>®</sup>  
Motors

Model No: 071T34FH5302  
Catalog No: R309  
3/4,3600,TEFC,71,3/60/230/460  
TEFC



Regal and Marathon are trademarks of Regal Beloit Corporation or one of its affiliated companies.

©2018 Regal Beloit Corporation, All Rights Reserved. MC017097E

**REGAL**<sup>®</sup>



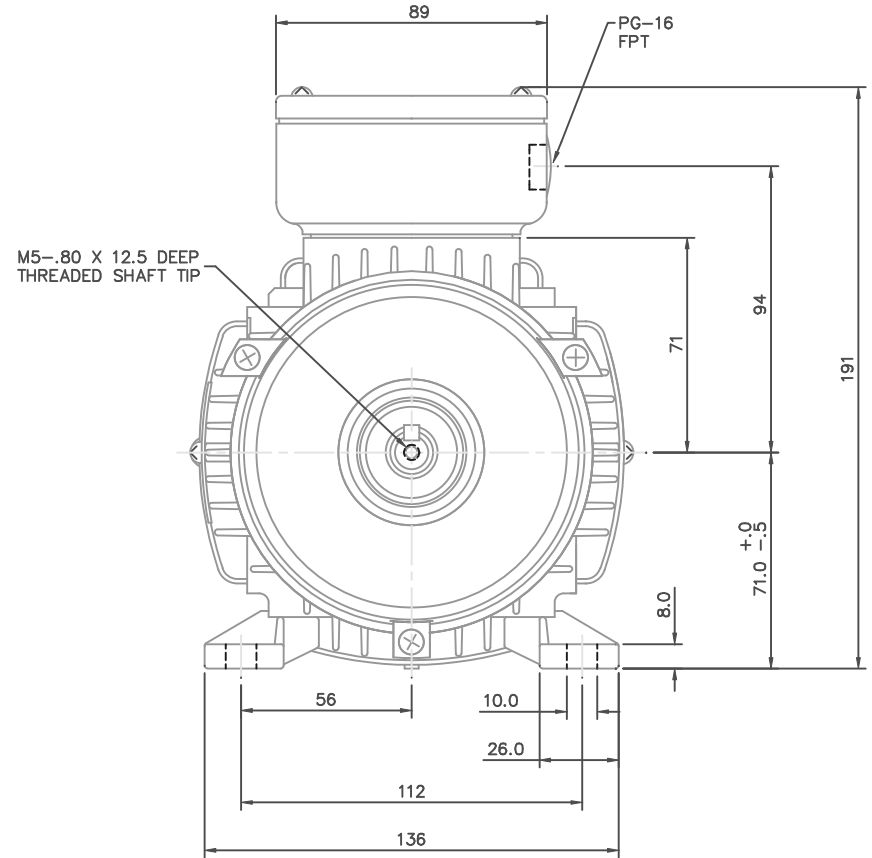
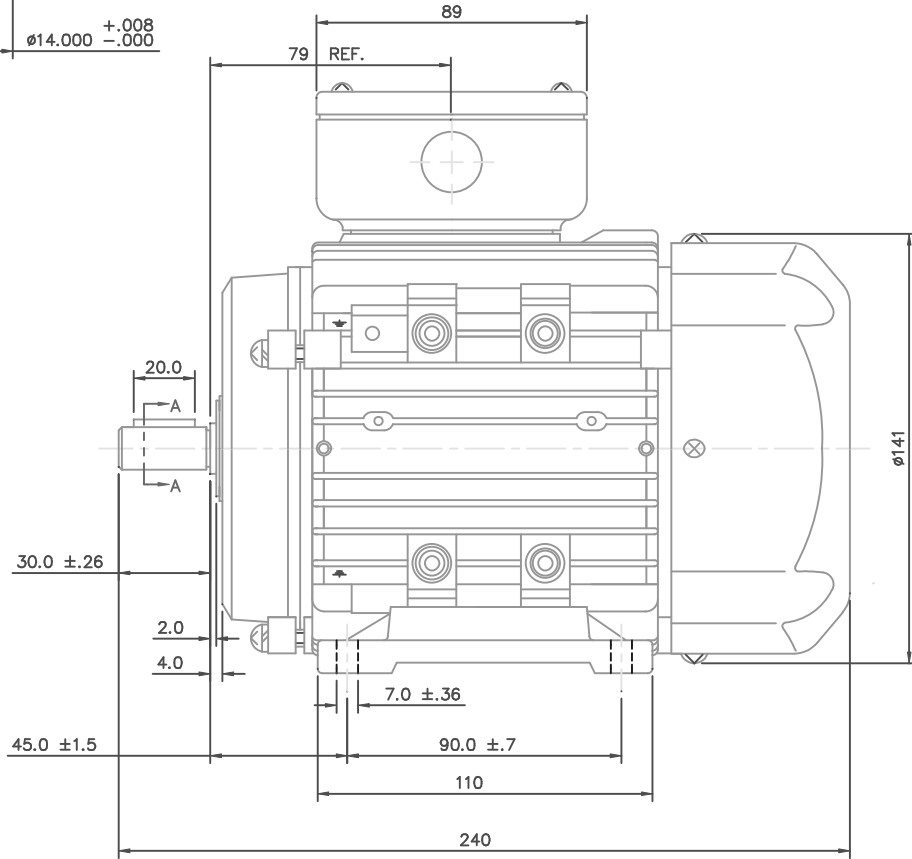
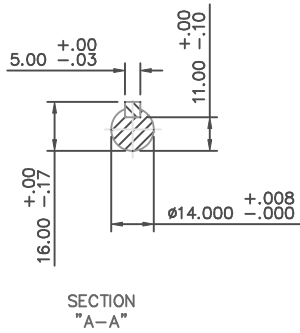
### Nameplate Specifications

Output HP	<b>0.75 Hp</b>	Output KW	<b>0.56 kW</b>
Frequency	<b>60 Hz</b>	Voltage	<b>230/460 V</b>
Current	<b>2.4/1.2 A</b>	Speed	<b>3400 rpm</b>
Service Factor	<b>1.15</b>	Phase	<b>3</b>
Efficiency	<b>74 %</b>	Duty	<b>Continuous</b>
Insulation Class	<b>F</b>	Design Code	<b>B</b>
KVA Code	<b>J</b>	Frame	<b>71</b>
Enclosure	<b>Totally Enclosed Fan Cooled</b>	Overload Protector	<b>No</b>
Ambient Temperature	<b>40 °C</b>	Drive End Bearing Size	<b>6203</b>
Opp Drive End Bearing Size	<b>6203</b>	UL	<b>Recognized</b>
CSA	<b>Y</b>	CE	<b>Y</b>
IP Code	<b>55</b>		

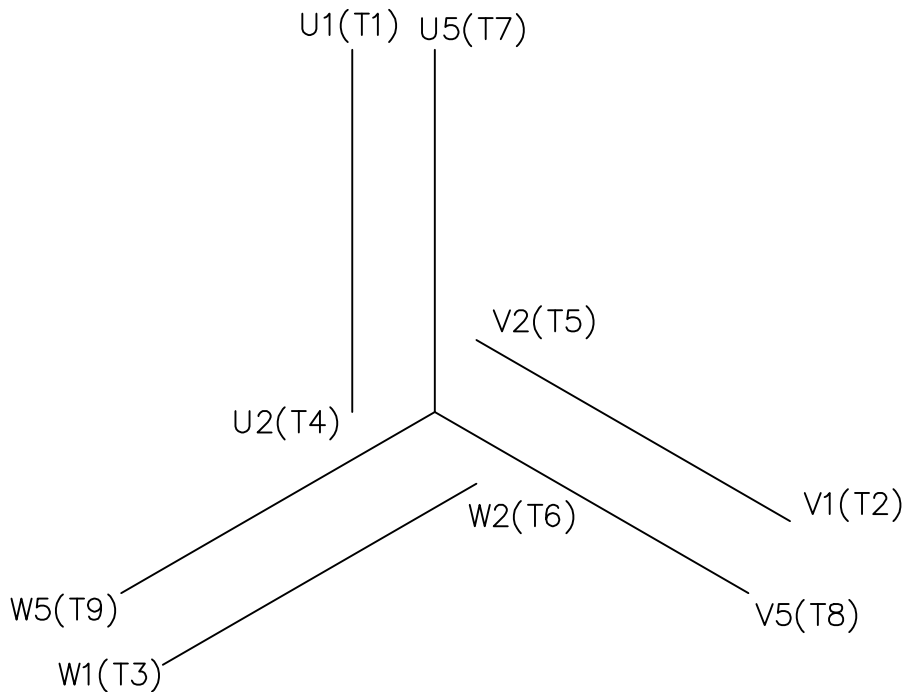
### Technical Specifications

Electrical Type	<b>Squirrel Cage Inverter Rated</b>	Starting Method	<b>Line Or Inverter</b>
Poles	<b>2</b>	Rotation	<b>Reversible</b>
Mounting	<b>B3</b>	Motor Orientation	<b>Horizontal</b>
Drive End Bearing	<b>Ball</b>	Opp Drive End Bearing	<b>Ball</b>
Frame Material	<b>Aluminum</b>	Shaft Type	<b>IEC</b>
Overall Length	<b>9.44 in</b>	Shaft Diameter	<b>0.555 in</b>
Shaft Extension	<b>1.18 in</b>	Assembly/Box Mounting	<b>F3</b>
Outline Drawing	<b>16986000ME</b>	Connection Diagram	<b>005465.01ME</b>

This is an uncontrolled document once printed or downloaded and is subject to change without notice. Date Created: 06/29/2018

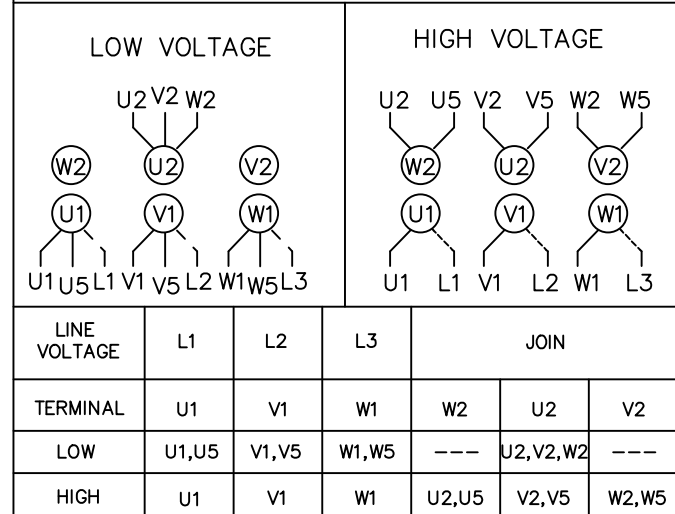


NO.		REVISION	BY & DATE	CHK	ANG	±7'30"	FINISH	PREV		
TO TOLERANCES UNLESS SPECIFIED DEC. METRIC .X ±2.5 .XX ±.76 .XXX ±.127 .XXXX ±.0127									DRAWN ADS 01/18/02 CHK APPD SCALE 1=1.6 REF OSVC-300-553 FMF PREV	
THIS DRAWING IN DESIGN AND DETAIL IS OUR PROPERTY AND MUST NOT BE USED EXCEPT IN CONNECTION WITH OUR WORK ALL RIGHTS OF DESIGN AND INVENTION ARE RESERVED THIS IS AN ELECTRONICALLY GENERATED DOCUMENT - DO NOT SCALE THIS PRINT							TITLE METRIC MOTOR OUTLINE, IMB3 IEC-71 FRAME RIGID MAT'L ALUMINUM	RFP CAD FILE 16986000ME	SIZE B DRAWING NO. 169860-00ME	REV.

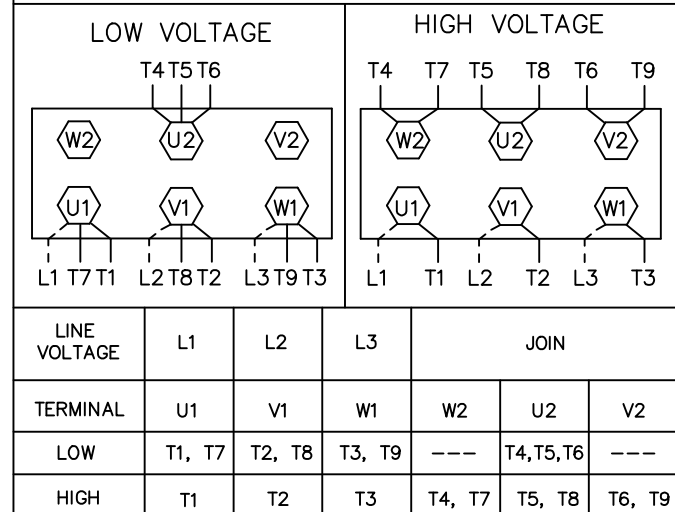


REF. DECAL (IEC) 080644  
REF. DECAL (NEMA) 080446

IEC MARKINGS



NEMA MARKINGS



		TOLERANCES UNLESS SPECIFIED				DRAWN			
		DEC.	INCHES			JGO 3/10/04			
		.X	±.1			CHK SB 02-17-2010			
		.XX	±.01			APPD MJS 02-17-2010			
		.XXX	±.005			SCALE 1=1			
		.XXXX	±.0005	REF					
NO.	REVISION	BY & DATE	CHK	ANG	±1/2'	FINISH	FMF		
							PREV		
THIS DRAWING IN DESIGN AND DETAIL IS OUR PROPERTY AND MUST NOT BE USED EXCEPT IN CONNECTION WITH OUR WORK ALL RIGHTS OF DESIGN AND INVENTION ARE RESERVED THIS IS AN ELECTRONICALLY GENERATED DOCUMENT - DO NOT SCALE THIS PRINT			RFP	02-17-2010	CAD FILE	00546501ME	SIZE	DRAWING NO.	REV.
			DIST				A	005465ME-01	

