

PRODUCT INFORMATION PACKET

marathon®
Motors

Model No: 071T17FH5331

Catalog No: R407

0.50 HP General Purpose, 3 phase, 1800 RPM, 575 V, 71M Frame, TEFC
Aluminium TEFC Motors



Regal and Marathon are trademarks of Regal Beloit Corporation or one of its affiliated companies.
©2019 Regal Beloit Corporation, All Rights Reserved. MC017097E

REGAL



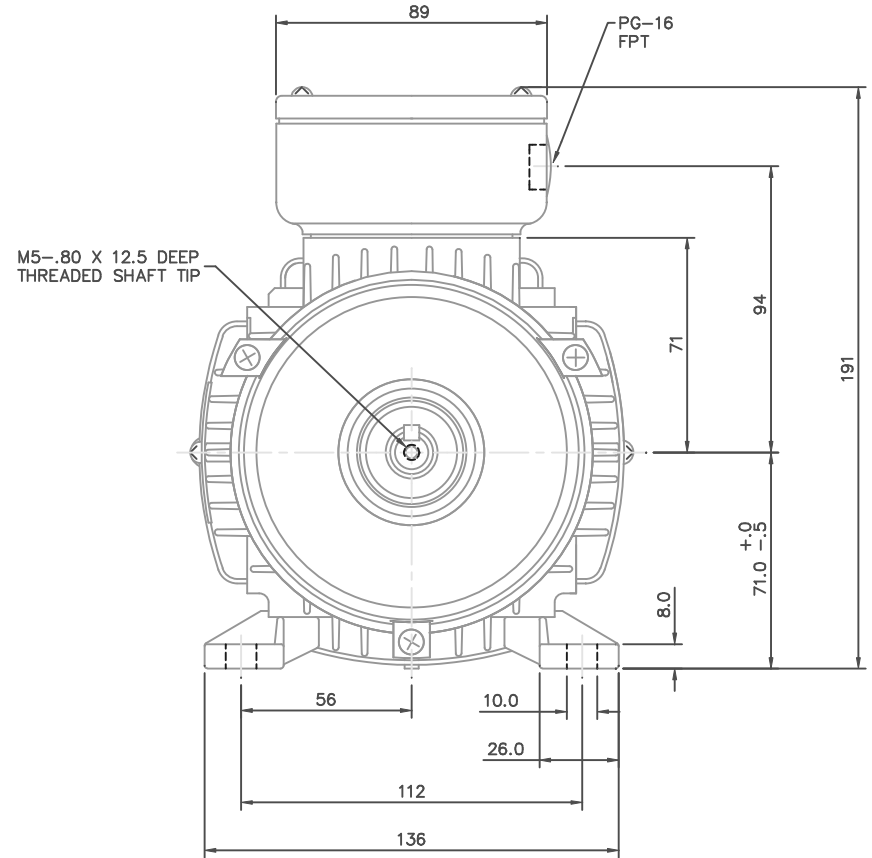
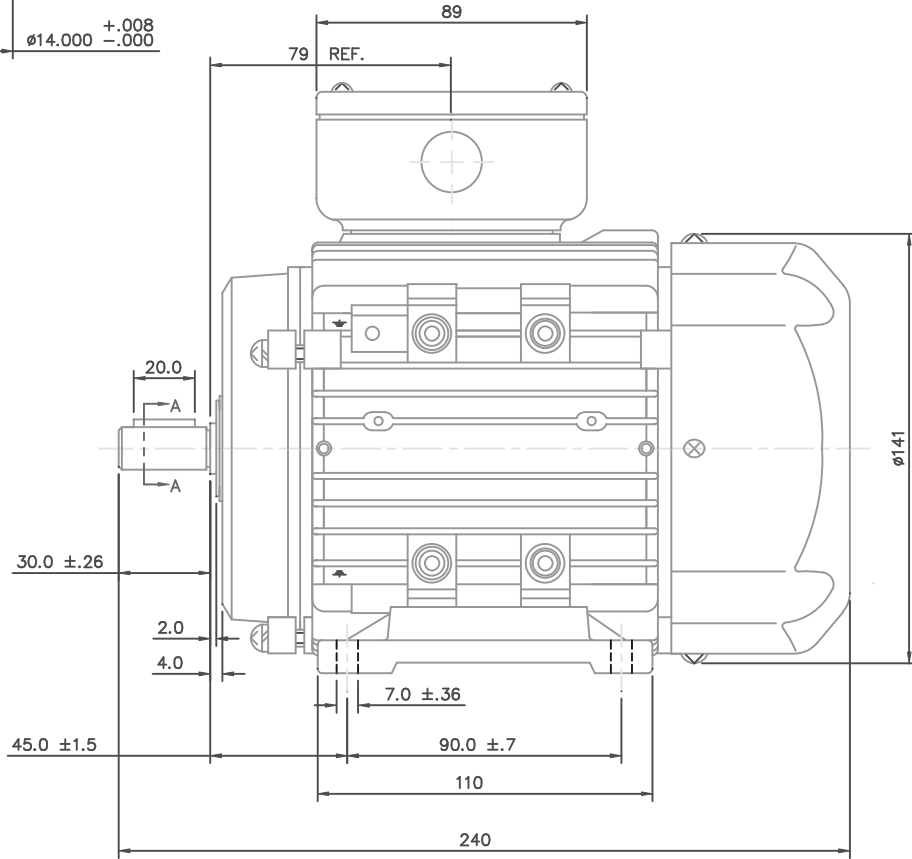
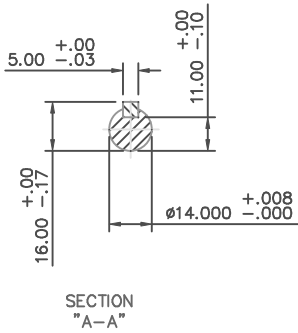
Nameplate Specifications

Output HP	0.50 Hp	Output KW	0.37 kW
Frequency	60 Hz	Voltage	575 V
Current	0.74 A	Speed	1695 rpm
Service Factor	1.15	Phase	3
Efficiency	74 %	Power Factor	70
Duty	Continuous	Insulation Class	F
Design Code	B	KVA Code	H
Frame	71M	Enclosure	Totally Enclosed Fan Cooled
Thermal Protection	No	Ambient Temperature	40 °C
Drive End Bearing Size	6203	Opp Drive End Bearing Size	6203
UL	Recognized	CSA	Y
CE	Y	IP Code	55

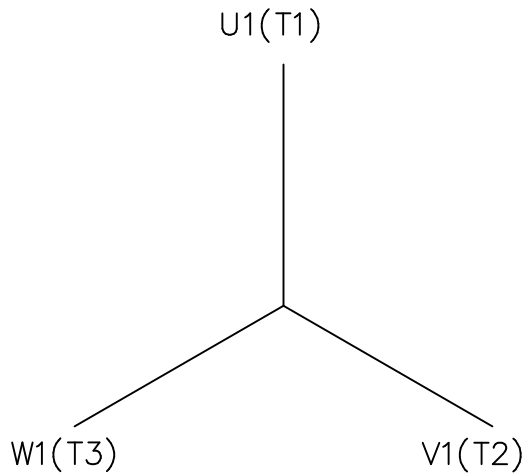
Technical Specifications

Electrical Type	Squirrel Cage Inverter Rated	Starting Method	Line Or Inverter
Poles	4	Rotation	Reversible
Resistance Main	73 Ohms	Mounting	Rigid Base
Motor Orientation	Horizontal	Drive End Bearing	Ball
Opp Drive End Bearing	Ball	Frame Material	Aluminum
Shaft Type	IEC	Shaft Diameter	0.550 in
Assembly/Box Mounting	F1/F2 CAPABLE		

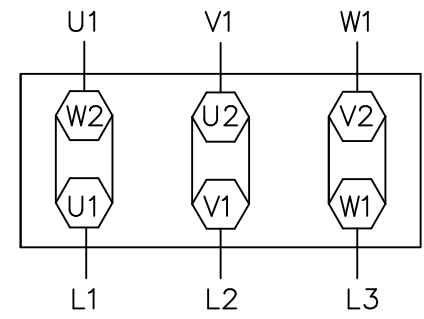
This is an uncontrolled document once printed or downloaded and is subject to change without notice. Date Created:01/11/2019



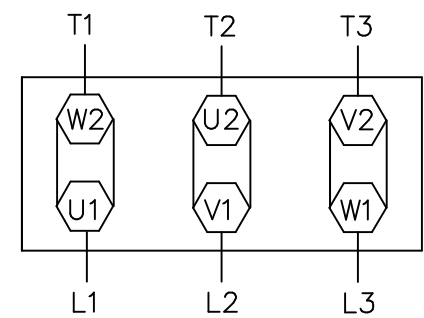
NO.		REVISION	BY & DATE	CHK	ANG	±7'30"	FINISH	CAD FILE	16986000ME	SIZE	DRAWING NO.	REV.	
				TO TOLERANCES UNLESS SPECIFIED		DEC.	METRIC	MARATHON ELECTRIC		DRAWN ADS 01/18/02			
				.X	±2.5			TITLE		CHK			
				.XX	±.76			METRIC MOTOR OUTLINE, IMB3		APPD			
				.XXX	±.127			IEC-71 FRAME RIGID		SCALE 1=1.6			
				.XXXX	±.0127			ALUMINUM		REF OSVC-300-553			
				CHK	ANG	±7'30"	FINISH	PREV					
				THIS DRAWING IN DESIGN AND DETAIL IS OUR PROPERTY AND MUST NOT BE USED EXCEPT IN CONNECTION WITH OUR WORK ALL RIGHTS OF DESIGN AND INVENTION ARE RESERVED THIS IS AN ELECTRONICALLY GENERATED DOCUMENT - DO NOT SCALE THIS PRINT				RFP	CAD FILE		16986000ME	B	169860-00ME
								DIST					



IEC MARKINGS



NEMA MARKINGS



TO REVERSE ROTATION
INTERCHANGE ANY TWO
LINE LEADS

		TOLERANCES UNLESS SPECIFIED	
		DEC.	INCHES
		.X	±.1
		.XX	±.01
		.XXX	±.005
		.XXXX	±.0005
NO.	REVISION	BY & DATE	CHK ANG ±1/2°



TITLE: EXTERNAL WIRING DIAGRAM
TYPE "T" W/O PROT W/TERM. BLOCK

MAT'L:

FINISH:

DRAWN	JGO 3/10/04
CHK	
APPD	
SCALE	3=4
REF	
FMF	
PREV	

THIS DRAWING IN DESIGN AND DETAIL IS OUR PROPERTY AND MUST NOT BE USED EXCEPT IN CONNECTION WITH OUR WORK ALL RIGHTS OF DESIGN AND INVENTION ARE RESERVED THIS IS AN ELECTRONICALLY GENERATED DOCUMENT - DO NOT SCALE THIS PRINT		RFP	CAD FILE	00546801ME	SIZE	DRAWING NO.	REV.
		DIST			A	005468-01ME	