

PRODUCT INFORMATION PACKET

marathon[®]
Motors

Model No: 071T17FH5330

Catalog No: R404

0.33 HP General Purpose, 3 phase, 1800 RPM, 575 V, 71M Frame, TEFC
Aluminium TEFC Motors



Regal and Marathon are trademarks of Regal Beloit Corporation or one of its affiliated companies.
©2019 Regal Beloit Corporation, All Rights Reserved. MC017097E

REGAL



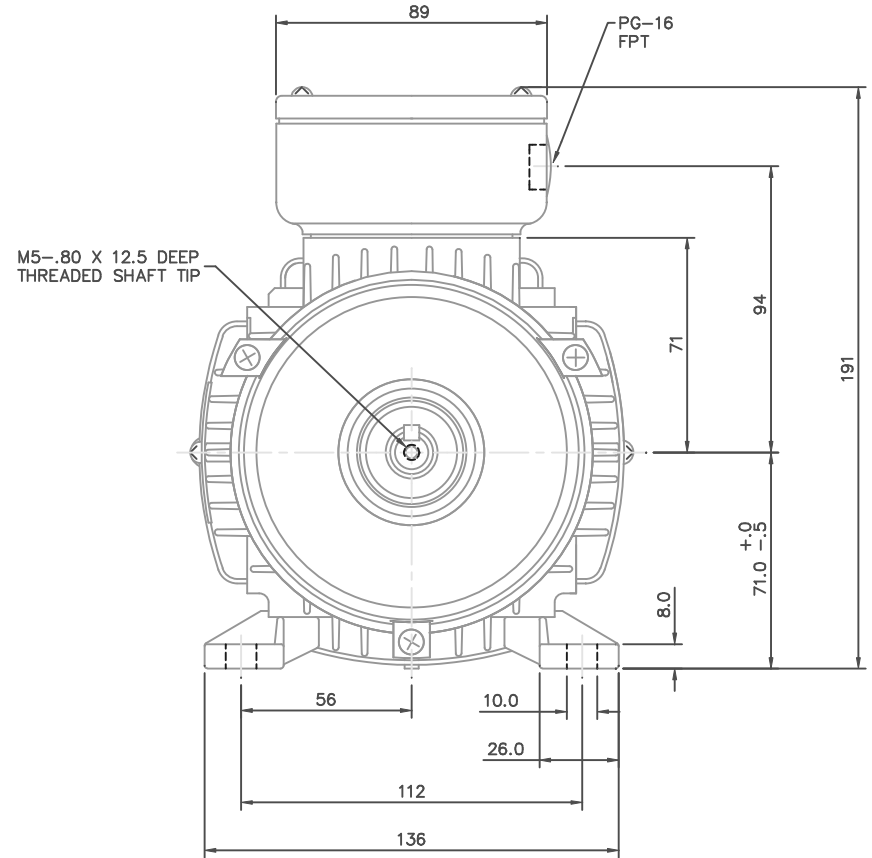
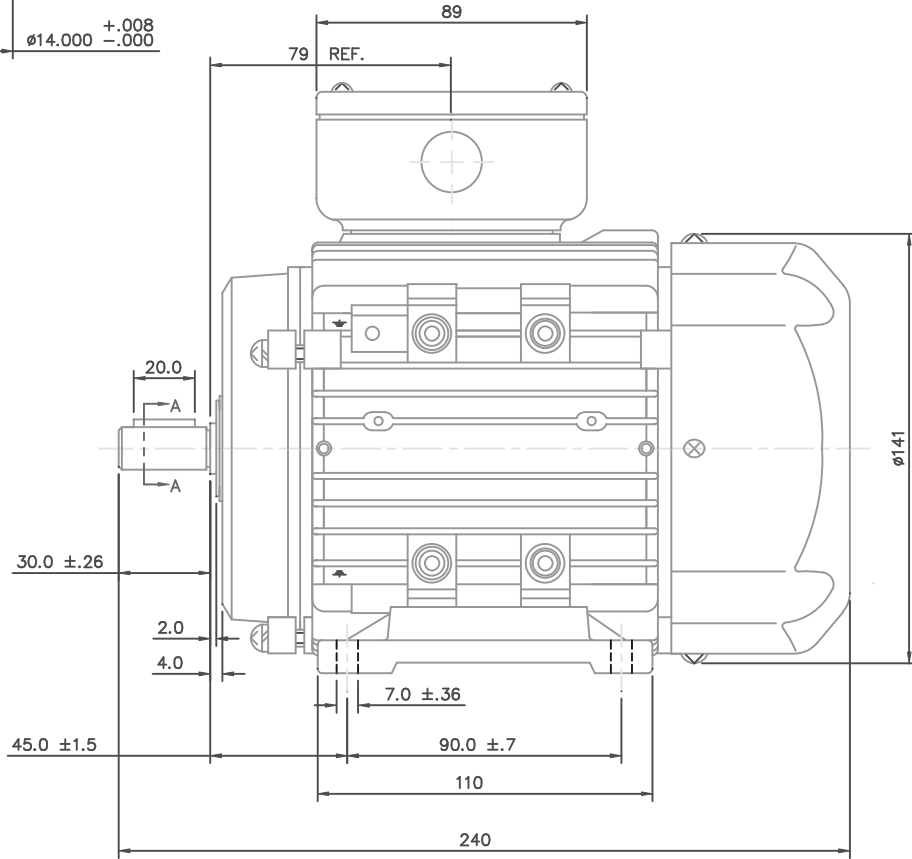
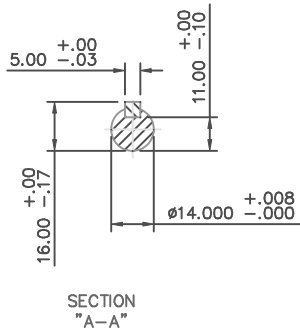
Nameplate Specifications

Output HP	0.33 Hp	Output KW	0.03 kW
Frequency	60 Hz	Voltage	575 V
Current	0.57 A	Speed	1700 rpm
Service Factor	1.15	Phase	3
Efficiency	68 %	Power Factor	66
Duty	Continuous	Insulation Class	F
Design Code	B	KVA Code	J
Frame	71M	Enclosure	Totally Enclosed Fan Cooled
Thermal Protection	No	Ambient Temperature	40 °C
Drive End Bearing Size	6203	Opp Drive End Bearing Size	6203
UL	Recognized	CSA	Y
CE	Y	IP Code	43

Technical Specifications

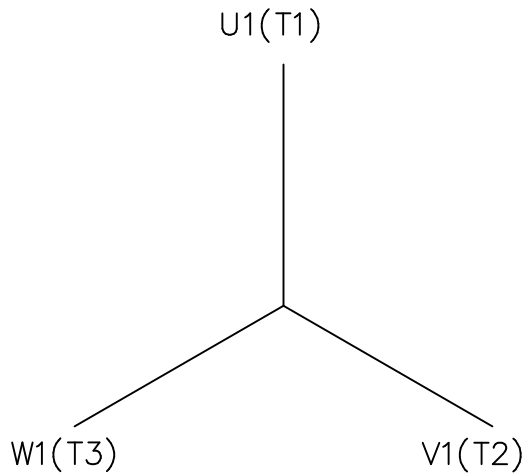
Electrical Type	Squirrel Cage Inverter Rated	Starting Method	Line Or Inverter
Poles	4	Rotation	Reversible
Resistance Main	115.3 Ohms	Mounting	Rigid Base
Motor Orientation	Horizontal	Drive End Bearing	Ball
Opp Drive End Bearing	Ball	Frame Material	Aluminum
Shaft Type	IEC	Shaft Diameter	0.550 in
Assembly/Box Mounting	F1/F2 CAPABLE		

This is an uncontrolled document once printed or downloaded and is subject to change without notice. Date Created:01/11/2019

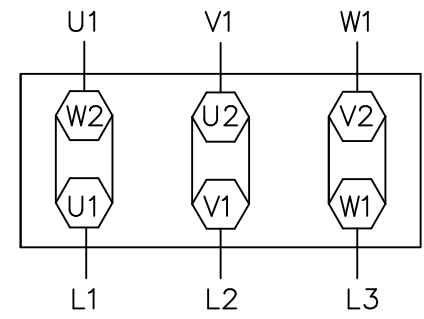


NO.		REVISION	BY & DATE	CHK	ANG	±7'30"	FINISH	CAD FILE	16986000ME	SIZE	DRAWING NO.	REV.
THIS DRAWING IN DESIGN AND DETAIL IS OUR PROPERTY AND MUST NOT BE USED EXCEPT IN CONNECTION WITH OUR WORK. ALL RIGHTS OF DESIGN AND INVENTION ARE RESERVED. THIS IS AN ELECTRONICALLY GENERATED DOCUMENT - DO NOT SCALE THIS PRINT				RFP						B	169860-00ME	
				DIST								

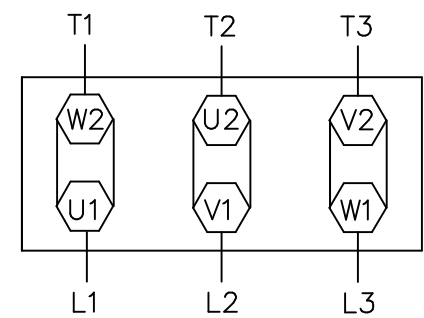
TOLERANCES UNLESS SPECIFIED		MARATHON ELECTRIC		DRAWN	ADS 01/18/02
DEC.	METRIC			CHK	
.X	±2.5			APPD	
.XX	±.76			SCALE	1=1.6
.XXX	±.127			REF	OSVC-300-553
.XXXX	±.0127			FMF	
				PREV	
				TITLE	
				METRIC MOTOR OUTLINE, IMB3	
				IEC-71 FRAME RIGID	
				MAT'L	
				ALUMINUM	



IEC MARKINGS



NEMA MARKINGS



TO REVERSE ROTATION
INTERCHANGE ANY TWO
LINE LEADS

		TOLERANCES UNLESS SPECIFIED	
		DEC.	INCHES
		.X	±.1
		.XX	±.01
		.XXX	±.005
		.XXXX	±.0005
NO.	REVISION	BY & DATE	CHK ANG ±1/2°



TITLE: EXTERNAL WIRING DIAGRAM
TYPE "T" W/O PROT W/TERM. BLOCK

MAT'L:

FINISH:

DRAWN	JGO 3/10/04
CHK	
APPD	
SCALE	3=4
REF	
FMF	
PREV	

THIS DRAWING IN DESIGN AND DETAIL IS OUR PROPERTY AND MUST NOT BE USED EXCEPT IN CONNECTION WITH OUR WORK ALL RIGHTS OF DESIGN AND INVENTION ARE RESERVED THIS IS AN ELECTRONICALLY GENERATED DOCUMENT - DO NOT SCALE THIS PRINT		RFP	CAD FILE	00546801ME	SIZE	DRAWING NO.	REV.
		DIST			A	005468-01ME	



**P.O. BOX 8003
WAUSAU, WI 54401-8003
PH. 715-675-3311**

CERTIFICATION DATA SHEET

CUSTOMER PO#:
CUSTOMER PART #:
MODEL #: 71T17FH5330 A
MOUNTING: F1/F2 CAPABLE

CUSTOMER:
ORDER #:
CONN. DIAGRAM: 00546801ME
OUTLINE: 16986000ME
WINDING #: QT7141 FR 4 A

TYPICAL MOTOR PERFORMANCE DATA

HP	KW	SYNC. RPM	F.L. RPM	FRAME	ENCLOSURE	KVA CODE	DESIGN
1/3	0.03	1800	1700	71M	TEFC	J	B

PH	HZ	VOLTS	AMPS	START TYPE	DUTY	INSL	S.F.	AMB°C
3	60	575	.57	LINE OR INVERTER	CONTINUOUS	F5	1.15	40

FULL LOAD EFF:	68	3/4 LOAD EFF:	66.8	1/2 LOAD EFF:	60.6	GTD. EFF	62	ELEC. TYPE
FULL LOAD PF:	66	3/4 LOAD PF:	57.2	1/2 LOAD PF:	45.8	SQ CAGE INV RATED		

F.L. TORQUE	LOCKED ROTOR AMPS	L.R. TORQUE	B.D. TORQUE	F.L. RISE°C
16.57 OZ-FT	2.5	42.64 OZ-FT	0 %	49.61 OZ-FT 0 %
			SEC.	17 LBS.

SOUND PRESSURE @ 3 FT.	SOUND POWER	ROTOR WK^2	MAX. WK^2	SAFE STALL TIME	STARTS / HOUR	APPROX. MOTOR WGT
46 DBA	56 DBA	0.02 LB-FT^2	1.3 LB-FT^2	15 SEC.	2	17 LBS.

***** SUPPLEMENTAL INFORMATION *****

DE BRACKET TYPE	ODE BRACKET TYPE	MOUNT TYPE	ORIENTATION	SEVERE DUTY	HAZARDOUS LOCATION	DRIP COVER	SCREENS	PAINT
STANDARD	STANDARD	RIGID	HORIZONTAL	FALSE	NONE	FALSE	NONE	BLUE (ENAMEL)

BEARINGS		GREASE	SHAFT TYPE	SPECIAL DE	SPECIAL ODE	SHAFT MATERIAL	FRAME MATERIAL
DE	ODE						
BALL	BALL	POLYREX EM	STANDARD IEC	NONE	NONE	AISI 1045 (C-240)	ALUMINUM
6203	6203						

THERMO-PROTECTORS							
THERMOSTATS	PROTECTORS	WDG RTDS	BRG RTDS	THERMISTORS	CONTROL	SPACE HEATERS	VOLTS
NONE	NOT	NONE	NONE	NONE	FALSE	NONE	NONE

INVERTER TORQUE: CONSTANT 10:1
INV. HP SPEED RANGE: 1.5 X BASE SPEED

ENCODER:	NONE
	NONE NONE PPR

BRAKE:	NONE	NONE
	NONE P/N NONE	NONE NONE FT-LB NONE V NONE HZ

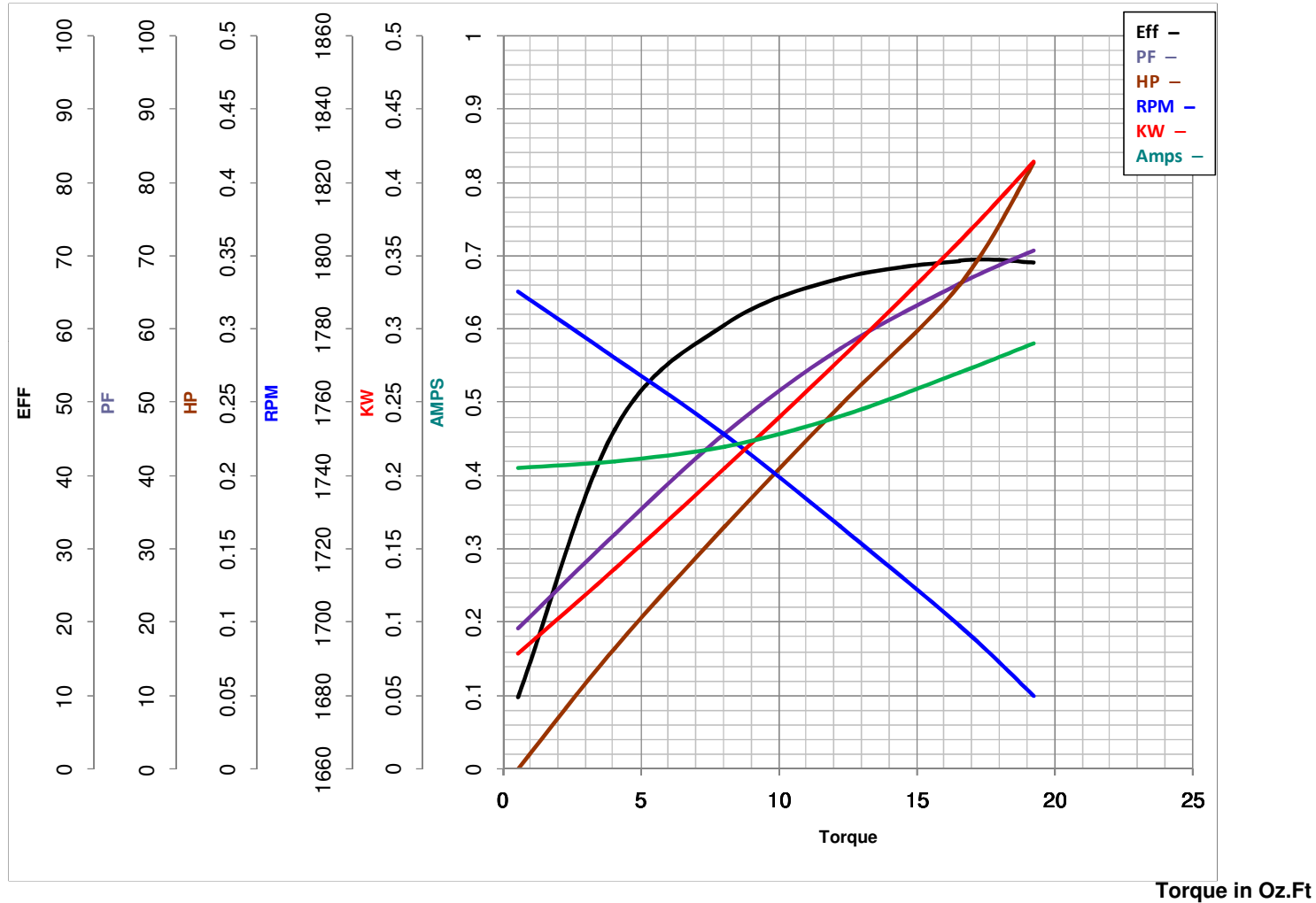
S
E
T
O
N

PREPARED BY: Dinesh
Suddula
DATE: 02/12/2019 02:56:28 AM
FORM 3531 REV.3 02/07/99
**** Subject to change without notice.**



MARATHON ELECTRIC CORPORATION
TYPICAL PERFORMANCE CURVE for AC MOTOR

Customer _____ Curve at 575 Volts HP 0.05 PHASE 3
60 HZ
 Model No 71T17FH5330 0.33 HP VOLTS 575
 Catalog No R404 HZ 60 RPM 1700



FL TORQUE	<u>16.57</u> Oz.Ft	FL AMPS	<u>0.57</u>
BD TORQUE	<u>49.6</u> Oz.Ft	PU TORQUE	<u>41.7</u> Oz.Ft
LR TORQUE	<u>42.64</u> Oz.Ft	LR AMPS	<u>2.5</u>
WINDING	QT7141-	Date	3/6/2019