

# PRODUCT INFORMATION PACKET

**marathon**<sup>®</sup>  
Motors

Model No: 071T11FH5403  
Catalog No: R362  
1/4,1200,TEFC,71C,3/60/230/460  
TEFC



Regal and Marathon are trademarks of Regal Beloit Corporation or one of its affiliated companies.  
©2018 Regal Beloit Corporation, All Rights Reserved. MC017097E

**REGAL**<sup>®</sup>



### Nameplate Specifications

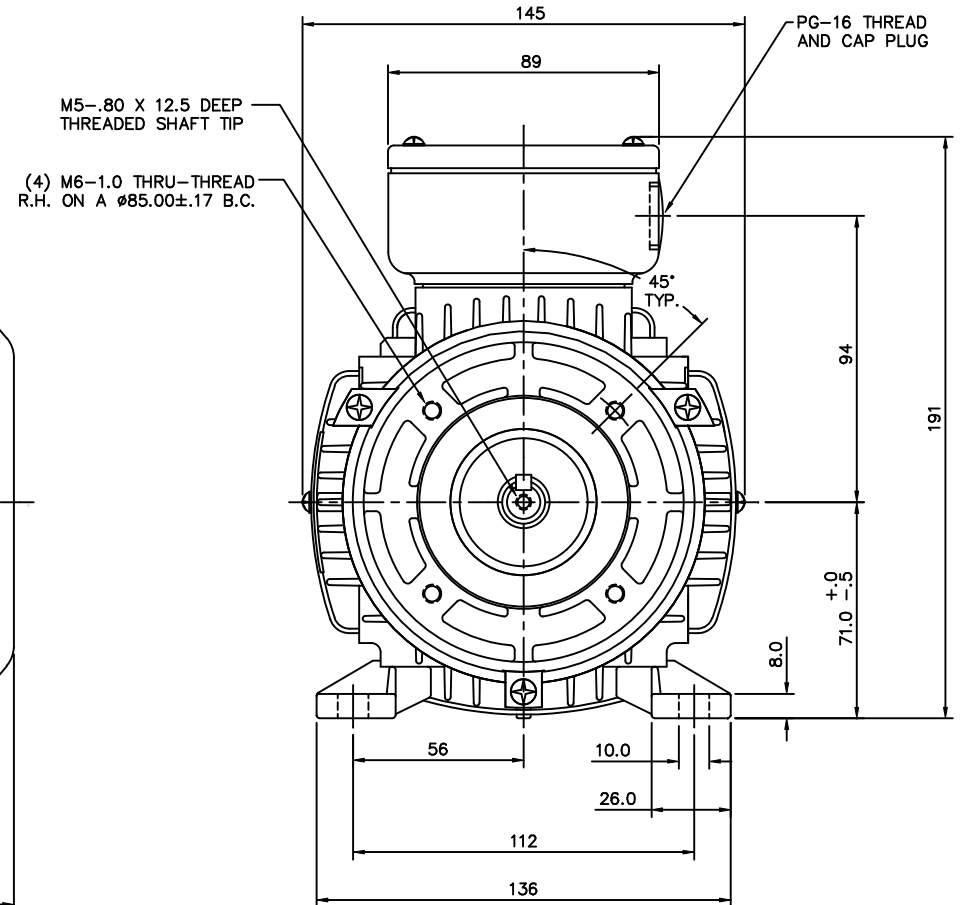
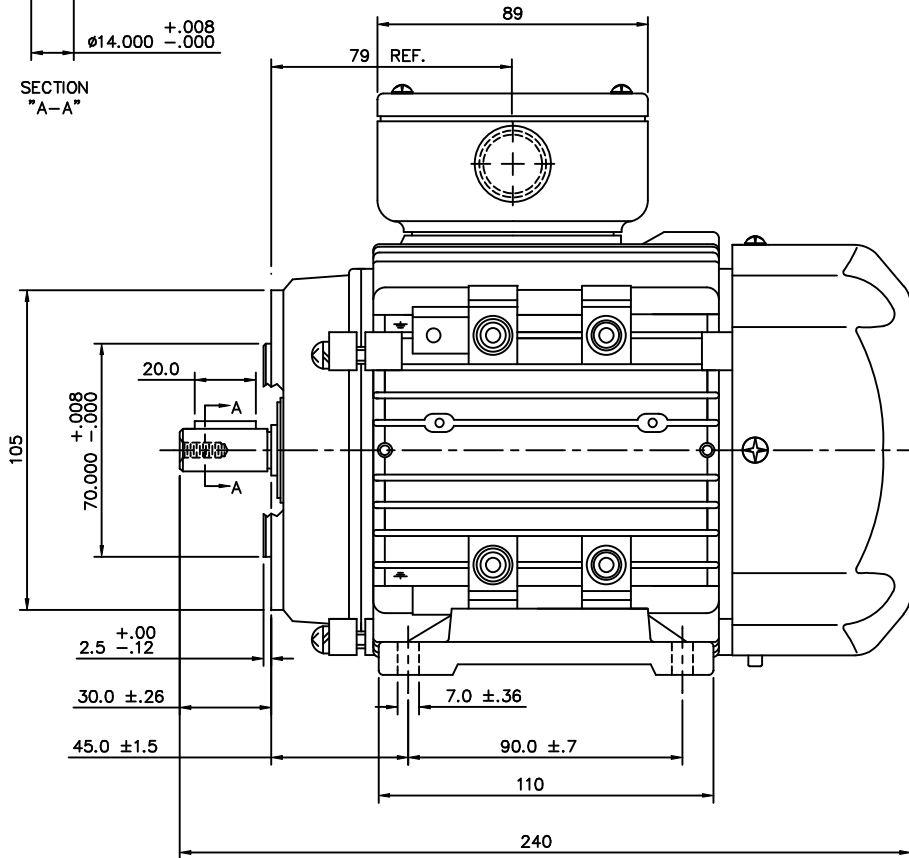
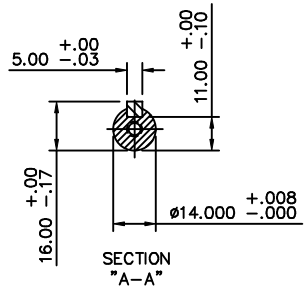
Output HP	<b>0.25 Hp</b>	Output KW	<b>0.19 kW</b>
Frequency	<b>60 Hz</b>	Voltage	<b>230/460 V</b>
Current	<b>1.2/0.58 A</b>	Speed	<b>1120 rpm</b>
Service Factor	<b>1.15</b>	Phase	<b>3</b>
Efficiency	<b>64 %</b>	Duty	<b>Continuous</b>
Insulation Class	<b>F</b>	Design Code	<b>B</b>
KVA Code	<b>G</b>	Frame	<b>71</b>
Enclosure	<b>Totally Enclosed Fan Cooled</b>	Overload Protector	<b>No</b>
Ambient Temperature	<b>40 °C</b>	Drive End Bearing Size	<b>6203</b>
Opp Drive End Bearing Size	<b>6203</b>	UL	<b>Recognized</b>
CSA	<b>Y</b>	CE	<b>Y</b>
IP Code	<b>55</b>		

### Technical Specifications

Electrical Type	<b>Squirrel Cage Inverter Rated</b>	Starting Method	<b>Line Or Inverter</b>
Poles	<b>6</b>	Rotation	<b>Reversible</b>
Mounting	<b>Rigid base</b>	Motor Orientation	<b>Horizontal</b>
Drive End Bearing	<b>Ball</b>	Opp Drive End Bearing	<b>Ball</b>
Frame Material	<b>Aluminum</b>	Shaft Type	<b>IEC</b>
Overall Length	<b>9.44 in</b>	Shaft Diameter	<b>0.555 in</b>
Shaft Extension	<b>1.18 in</b>	Assembly/Box Mounting	<b>F3</b>
Outline Drawing	<b>16986400ME</b>	Connection Diagram	<b>00546501ME</b>

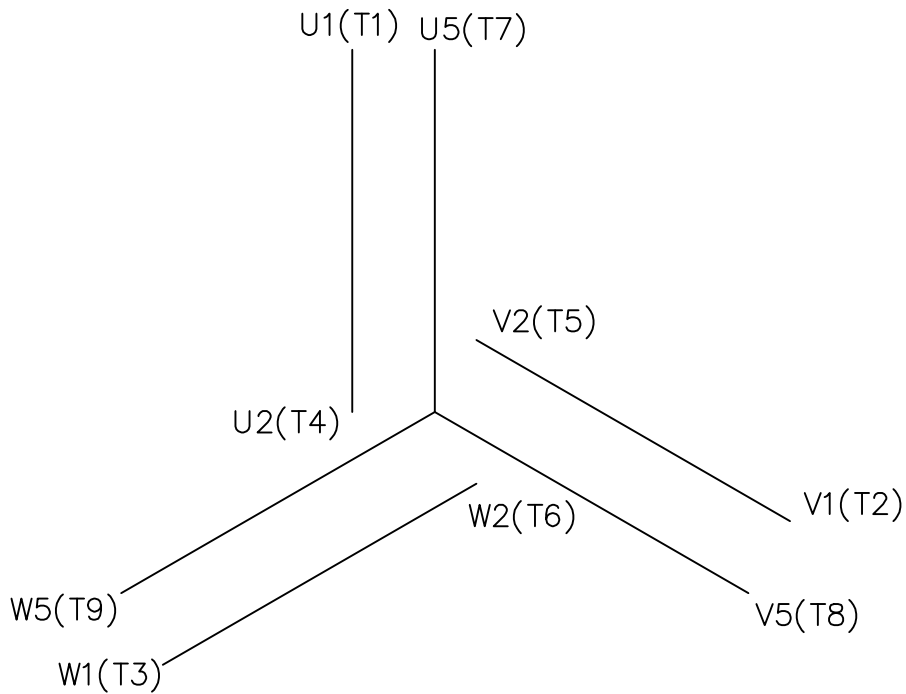
This is an uncontrolled document once printed or downloaded and is subject to change without notice. Date Created: 07/02/2018

169864-00ME



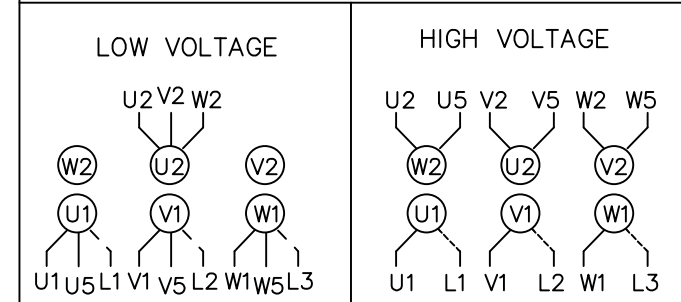
		TOLERANCES UNLESS SPECIFIED		MARATHON ELECTRIC	DRAWN				
		DEC.	METRIC		ADS	01/30/02			
		.X	±2.5	TITLE METRIC MOTOR OUTLINE, IMB34 IEC-71 FRAME RIGID MOUNT W/B14 FLANGE MAT'L ALUMINUM	CHK				
		.XX	±.76		APPD				
		.XXX	±.127		SCALE	1=1.6			
		.XXXX	±.0127		REF	169864-00			
NO.	REVISION	BY & DATE	CHK	ANG	±7°30"	FINISH	PREV		
THIS DRAWING IN DESIGN AND DETAIL IS OUR PROPERTY AND MUST NOT BE USED EXCEPT IN CONNECTION WITH OUR WORK ALL RIGHTS OF DESIGN AND INVENTION ARE RESERVED THIS IS AN ELECTRONICALLY GENERATED DOCUMENT - DO NOT SCALE THIS PRINT				RFP	CAD FILE	16986400ME	SIZE	DRAWING NO.	REV.
				DIST	B	169864-00ME			

ERROR: undefined  
OFFENDING COMMAND: Pscr  
STACK :



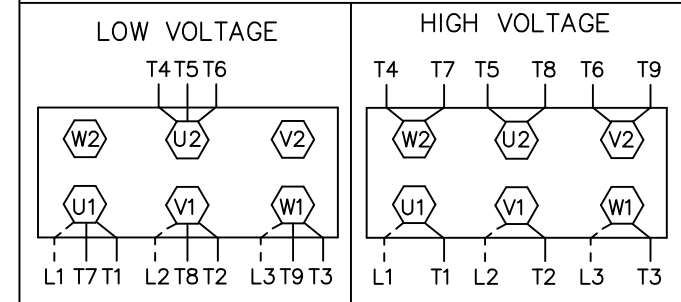
REF. DECAL (IEC) 080644  
REF. DECAL (NEMA) 080446

IEC MARKINGS



LINE VOLTAGE	L1	L2	L3	JOIN		
TERMINAL	U1	V1	W1	W2	U2	V2
LOW	U1,U5	V1,V5	W1,W5	---	U2,V2,W2	---
HIGH	U1	V1	W1	U2,U5	V2,V5	W2,W5

NEMA MARKINGS



LINE VOLTAGE	L1	L2	L3	JOIN		
TERMINAL	U1	V1	W1	W2	U2	V2
LOW	T1, T7	T2, T8	T3, T9	---	T4,T5,T6	---
HIGH	T1	T2	T3	T4, T7	T5, T8	T6, T9

				TOLERANCES UNLESS SPECIFIED			DRAWN JGO 3/10/04
				DEC.	INCHES		CHK SB 02-17-2010
				.X	±.1		APPD MJS 02-17-2010
				.XX	±.01		SCALE 1=1
				.XXX	±.005		REF
				.XXXX	±.0005	MAT'L. IEC/NEMA MARKINGS	FMF
NO.	REVISION	BY & DATE	CHK	ANG	±1/2'	FINISH	PREV
THIS DRAWING IN DESIGN AND DETAIL IS OUR PROPERTY AND MUST NOT BE USED EXCEPT IN CONNECTION WITH OUR WORK ALL RIGHTS OF DESIGN AND INVENTION ARE RESERVED THIS IS AN ELECTRONICALLY GENERATED DOCUMENT - DO NOT SCALE THIS PRINT				RFP	02-17-2010	CAD FILE 00546501ME	SIZE A
				DIST			DRAWING NO. 005465ME-01
							REV.

CERTIFICATION DATA SHEET

Model#: 71T11FH5403 A WINDING#: QT7161 FR 3  
 CONN. DIAGRAM: 00546501ME ASSEMBLY: F3  
 OUTLINE: 16986400ME

TYPICAL MOTOR PERFORMANCE DATA

HP	KW	SYNC. RPM	F.L. RPM	FRAME	ENCLOSURE	KVA CODE	DESIGN
1/4&1/4	0.19&0.19	1200	1120&900	71	TEFC	G	B

PH	Hz	VOLTS	FL AMPS	START TYPE	DUTY	INSL	S.F	AMB°C	ELEVATION
3	60/50	230/460#200/ 400	1.16/.58&1.2/ 6	LINE OR INVERTER	CONTINUOU S	F5	1.15/1.15	40	3300

FULL LOAD EFF: 64	3/4 LOAD EFF: 63.3	1/2 LOAD EFF: 56.2	GTD. EFF	ELEC. TYPE	NO LOAD AMPS
FULL LOAD PF: 63	3/4 LOAD PF: 50.7	1/2 LOAD PF: 40.3	-	SQ CAGE INV RATED	1 / .5

F.L. TORQUE	LOCKED ROTOR AMPS	L.R. TORQUE	B.D. TORQUE	F.L. RISE°C
18 LB-FT	3.7 / 1.9	40.5 LB-FT 225	46.8 LB-FT 260	37

SOUND PRESSURE @ 3 FT.	SOUND POWER	ROTOR WK^2	MAX. WK^2	SAFE STALL TIME	STARTS /HOUR	APPROX. MOTOR WGT
- dBA	- dBA	0 LB-FT^2	- LB-FT^2	- SEC.	-	- LBS.

\*\*\* SUPPLEMENTAL INFORMATION \*\*\*

DE BRACKET TYPE	ODE BRACKET TYPE	MOUNT TYPE	ORIENTATION	SEVERE DUTY	HAZARDOUS LOCATION	DRIP COVER	SCREENS	PAINT
B14	STANDARD	RIGID	HORIZONTAL	FALSE	NONE	FALSE	NONE	BLUE (ENAMEL)

BEARINGS		GREASE	SHAFT TYPE	SPECIAL DE	SPECIAL ODE	SHAFT MATERIAL	FRAME MATERIAL
DE	OPE						
BALL	BALL	POLYREX EM	STANDARD IEC	NONE	NONE	AISI 1045 (C-240)	ALUMINUM
6203	6203						

THERMO-PROTECTORS				THERMISTORS	CONTROL	SPACE /n HEATERS
THERMOSTATS	PROTECTORS	WDG RTDs	BRG RTDs			
NONE	NOT	NONE	NONE	NONE	FALSE	NONE VOLTS

If Inverter equals NONE, contact factory for further information

INVERTER TORQUE: CONSTANT 20:1
INV. HP SPEED RANGE: NONE
ENCODER: NONE
NONE NONE
NONE NONE PPR
BRAKE: NONE NONE
NONE P/N NONE
NONE NONE
NONE FT-LB NONE V NONE Hz

\*  
N  
O  
T  
E  
S  
\*

DATE: 06/28/2017 03:40:15 AM  
 FORM 3531 REV.3 02/07/99  
 \*\* Subject to change without notice.