

PRODUCT INFORMATION PACKET

marathon[®]
Motors

Model No: 063T34FH5504
Catalog No: R383
1/3,3600,TEFC,63,3/60/230/460
TEFC



Regal and Marathon are trademarks of Regal Beloit Corporation or one of its affiliated companies.
©2018 Regal Beloit Corporation, All Rights Reserved. MC017097E

REGAL[®]



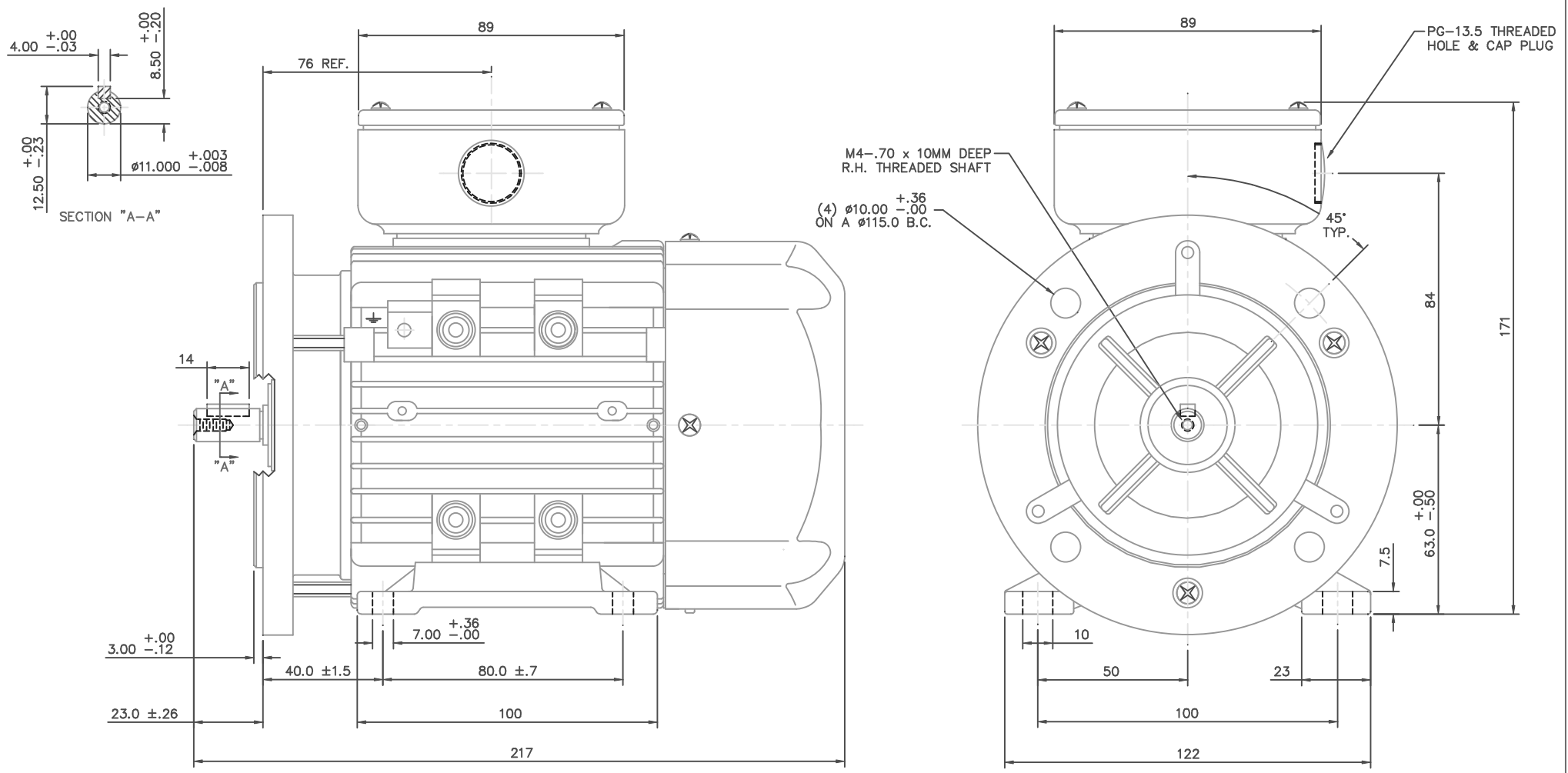
Nameplate Specifications

Output HP	0.33 Hp	Output KW	0.25 kW
Frequency	60 Hz	Voltage	230/460 V
Current	1.1/0.55 A	Speed	3430 rpm
Service Factor	1.15	Phase	3
Efficiency	72 %	Duty	Continuous
Insulation Class	F	Design Code	B
KVA Code	J	Frame	63
Enclosure	Totally Enclosed Fan Cooled	Overload Protector	No
Ambient Temperature	40 °C	Drive End Bearing Size	6202
Opp Drive End Bearing Size	6202	UL	Recognized
CSA	Y	CE	Y
IP Code	55		

Technical Specifications

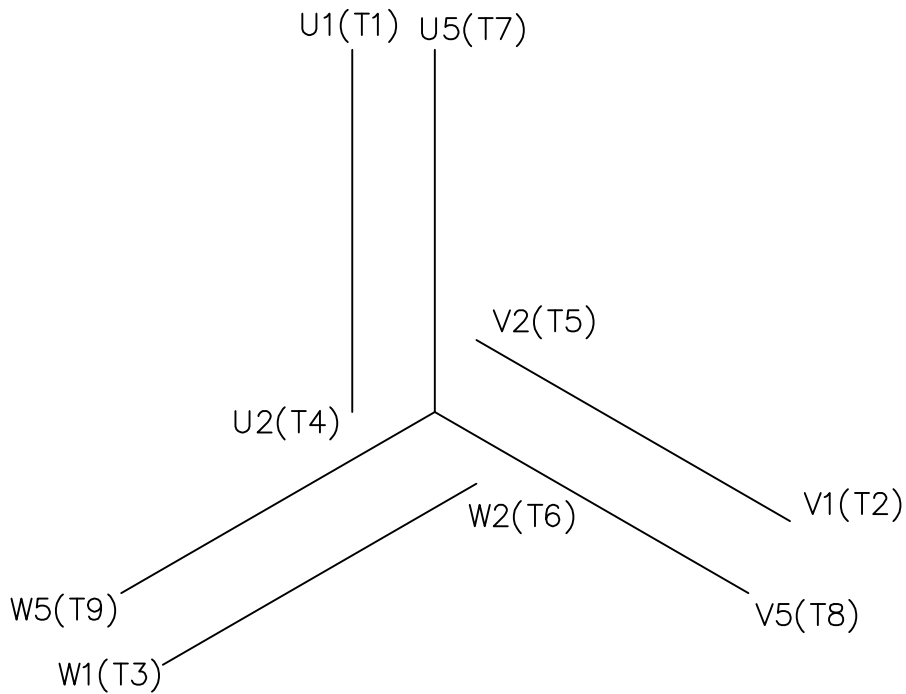
Electrical Type	Squirrel Cage Inverter Rated	Starting Method	Line Or Inverter
Poles	2	Rotation	Reversible
Mounting	Rigid base	Motor Orientation	Horizontal
Drive End Bearing	Ball	Opp Drive End Bearing	Ball
Frame Material	Aluminum	Shaft Type	IEC
Overall Length	8.54 in	Shaft Diameter	0.428 in
Shaft Extension	0.9 in	Assembly/Box Mounting	F3
Outline Drawing	16986700ME	Connection Diagram	00546501ME

This is an uncontrolled document once printed or downloaded and is subject to change without notice. Date Created: 06/29/2018



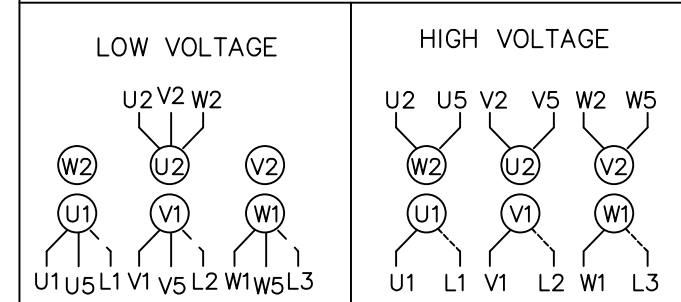
NO.		REVISION	BY & DATE	CHK	ANG	±1/2"	FINISH	DRAWN					
THIS DRAWING IN DESIGN AND DETAIL IS OUR PROPERTY AND MUST NOT BE USED EXCEPT IN CONNECTION WITH OUR WORK. ALL RIGHTS OF DESIGN AND INVENTION ARE RESERVED. THIS IS AN ELECTRONICALLY GENERATED DOCUMENT - DO NOT SCALE THIS PRINT							RFP	09/18/2006	CAD FILE	16986700me	SIZE	DRAWING NO.	REV.
							DIST	MAR-WP	B	169867-00ME			

TOLERANCES UNLESS SPECIFIED		MARATHON ELECTRIC		DRAWN	
DEC.	INCHES			ADS 01/31/02	
.X	±.1			CHK PBS 09/18/2006	
.XX	±.03			APPD PBS 09/18/2006	
.XXX	±.005			SCALE 1=1.25	
.XXXX	±.0005			REF OSVC-300-570	
		TITLE		FMF MU74844	
		MATERIAL		PREV	
		FINISH			



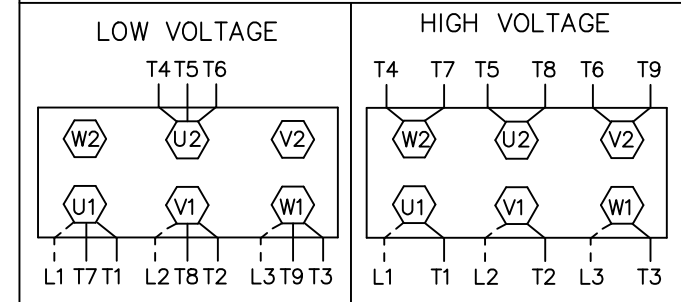
REF. DECAL (IEC) 080644
REF. DECAL (NEMA) 080446

IEC MARKINGS



LINE VOLTAGE	L1	L2	L3	JOIN		
TERMINAL	U1	V1	W1	W2	U2	V2
LOW	U1,U5	V1,V5	W1,W5	----	U2,V2,W2	----
HIGH	U1	V1	W1	U2,U5	V2,V5	W2,W5

NEMA MARKINGS



LINE VOLTAGE	L1	L2	L3	JOIN		
TERMINAL	U1	V1	W1	W2	U2	V2
LOW	T1, T7	T2, T8	T3, T9	----	T4,T5,T6	----
HIGH	T1	T2	T3	T4, T7	T5, T8	T6, T9

				TOLERANCES UNLESS SPECIFIED			DRAWN	JGO 3/10/04		
				DEC.	INCHES		CHK	SB 02-17-2010		
				.X	±.1		APPD	MJS 02-17-2010		
				.XX	±.01		SCALE	1=1		
				.XXX	±.005		REF			
				.XXXX	±.0005	MAT'L.	IEC/NEMA MARKINGS	FMF		
NO.	REVISION	BY & DATE	CHK	ANG	±1/2'	FINISH		PREV		
THIS DRAWING IN DESIGN AND DETAIL IS OUR PROPERTY AND MUST NOT BE USED EXCEPT IN CONNECTION WITH OUR WORK ALL RIGHTS OF DESIGN AND INVENTION ARE RESERVED THIS IS AN ELECTRONICALLY GENERATED DOCUMENT - DO NOT SCALE THIS PRINT				RFP	02-17-2010	CAD FILE	00546501ME	SIZE	DRAWING NO.	REV.
				DIST				A	005465ME-01	

CERTIFICATION DATA SHEET

Model#: 63T34FH5504 A WINDING#: QT6322 FR 3
 CONN. DIAGRAM: 00546501ME ASSEMBLY: F3
 OUTLINE: 16986700ME

TYPICAL MOTOR PERFORMANCE DATA

HP	KW	SYNC. RPM	F.L. RPM	FRAME	ENCLOSURE	KVA CODE	DESIGN
1/3&1/3	0.25&0.25	3600	3430&2760	63	TEFC	J	B

PH	Hz	VOLTS	FL AMPS	START TYPE	DUTY	INSL	S.F	AMB°C	ELEVATION
3	60/50	230/460#200/ 400	1.1/.55&1.3/.6 5	LINE OR INVERTER	CONTINUOUS	F5	1.15/1.15	40	3300

FULL LOAD EFF: 72	3/4 LOAD EFF: 68.4	1/2 LOAD EFF: 62	GTD. EFF	ELEC. TYPE	NO LOAD AMPS
FULL LOAD PF: 78	3/4 LOAD PF: 69.3	1/2 LOAD PF: 58.7	0	SQ CAGE INV RATED	.7 / .4

F.L. TORQUE	LOCKED ROTOR AMPS	L.R. TORQUE	B.D. TORQUE	F.L. RISE°C
8.1 LB-FT	6.5 / 3.3	23.2 LB-FT 290	28 LB-FT 350	29

SOUND PRESSURE @ 3 FT.	SOUND POWER	ROTOR WK^2	MAX. WK^2	SAFE STALL TIME	STARTS /HOUR	APPROX. MOTOR WGT
- dBA	- dBA	0 LB-FT^2	- LB-FT^2	10 SEC.	-	0 LBS.

*** SUPPLEMENTAL INFORMATION ***

DE BRACKET TYPE	ODE BRACKET TYPE	MOUNT TYPE	ORIENTATION	SEVERE DUTY	HAZARDOUS LOCATION	DRIP COVER	SCREENS	PAINT
B5	STANDARD	RIGID	HORIZONTAL	FALSE	NONE	FALSE	NONE	BLUE (ENAMEL)

BEARINGS		GREASE	SHAFT TYPE	SPECIAL DE	SPECIAL ODE	SHAFT MATERIAL	FRAME MATERIAL
DE	OPE						
BALL	BALL	POLYREX EM	STANDARD IEC	NONE	NONE	AISI 1045 (C-240)	ALUMINUM
6202	6202						

THERMO-PROTECTORS				THERMISTORS	CONTROL	SPACE /n HEATERS
THERMOSTATS	PROTECTORS	WDG RTDs	BRG RTDs			
NONE	NOT	NONE	NONE	NONE	FALSE	NONE VOLTS

If Inverter equals NONE, contact factory for further
information

INVERTER TORQUE: CONSTANT 20:1
INV. HP SPEED RANGE: NONE
ENCODER: NONE
NONE NONE
NONE NONE PPR
BRAKE: NONE NONE
NONE P/N NONE
NONE NONE
NONE FT-LB NONE V NONE Hz

*
N
O
T
E
S
*

DATE: 06/28/2017 03:39:20 AM

FORM 3531 REV.3 02/07/99

** Subject to change without notice.