

PRODUCT INFORMATION PACKET

marathon[®]
Motors

Model No: 063T34FH5501
Catalog No: R380
1/4,3600,TEFC,63,3/60/230/460
TEFC



Regal and Marathon are trademarks of Regal Beloit Corporation or one of its affiliated companies.
©2018 Regal Beloit Corporation, All Rights Reserved. MC017097E

REGAL[®]



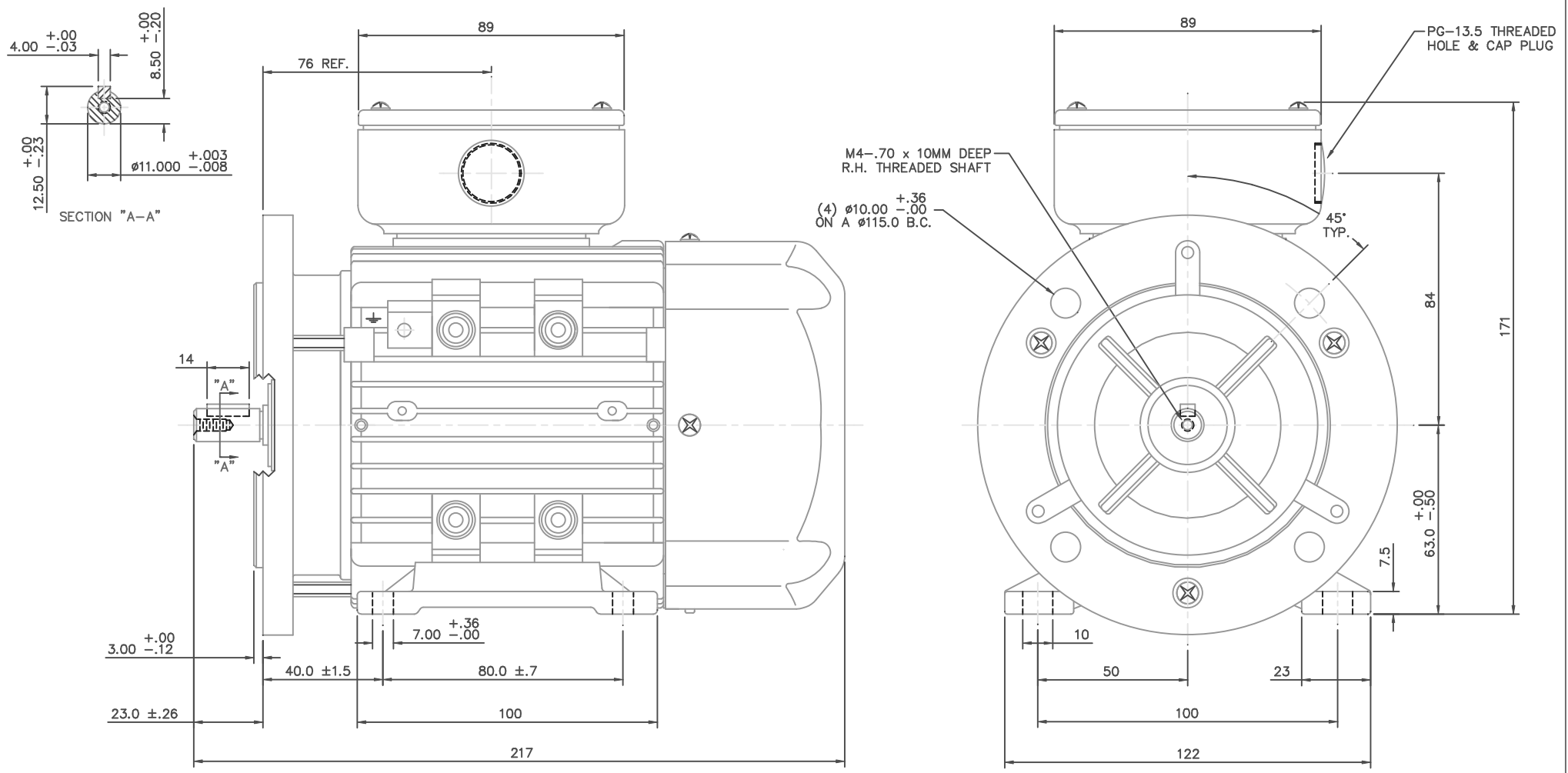
Nameplate Specifications

Output HP	0.25 Hp	Output KW	0.19 kW
Frequency	60 Hz	Voltage	230/460 V
Current	0.84/0.42 A	Speed	3430 rpm
Service Factor	1.15	Phase	3
Efficiency	72 %	Duty	Continuous
Insulation Class	F	Design Code	B
KVA Code	J	Frame	63
Enclosure	Totally Enclosed Fan Cooled	Overload Protector	No
Ambient Temperature	40 °C	Drive End Bearing Size	6202
Opp Drive End Bearing Size	6202	UL	Recognized
CSA	Y	CE	Y
IP Code	55		

Technical Specifications

Electrical Type	Squirrel Cage Inverter Rated	Starting Method	Line Or Inverter
Poles	2	Rotation	Reversible
Mounting	Rigid base	Motor Orientation	Horizontal
Drive End Bearing	Ball	Opp Drive End Bearing	Ball
Frame Material	Aluminum	Shaft Type	IEC
Overall Length	8.54 in	Shaft Diameter	0.428 in
Shaft Extension	0.9 in	Assembly/Box Mounting	F3
Outline Drawing	16986700ME	Connection Diagram	00546501ME

This is an uncontrolled document once printed or downloaded and is subject to change without notice. Date Created: 06/29/2018



		TOLERANCES UNLESS SPECIFIED		MARATHON ELECTRIC		DRAWN ADS 01/31/02	
		DEC.	INCHES			CHK	PBS 09/18/2006
		.X	±.1			APPD	PBS 09/18/2006
		.XX	±.03	TITLE		SCALE	1=1.25
		.XXX	±.005	METRIC MOTOR OUTLINE, IMB35		REF	OSVC-300-570
		.XXXX	±.0005	IEC-63 FRAME RIGID MOUNT W/B5 FLANGE		FMF	MU74844
				MAT'L		PREV	
				FINISH			
NO.	REVISION	BY & DATE	CHK	ANG	±1/2"	RFP	09/18/2006
THIS DRAWING IN DESIGN AND DETAIL IS OUR PROPERTY AND MUST NOT BE USED EXCEPT IN CONNECTION WITH OUR WORK. ALL RIGHTS OF DESIGN AND INVENTION ARE RESERVED. THIS IS AN ELECTRONICALLY GENERATED DOCUMENT - DO NOT SCALE THIS PRINT				CAD FILE	16986700me	SIZE	DRAWING NO.
				DIST	MAR-WP	B	169867-00ME
							REV.

