

PRODUCT INFORMATION PACKET



Model No: 063T34FH5404
Catalog No: R363
1/3,3600,TEFC,63,3/60/230/460
TEFC



Regal and Marathon are trademarks of Regal Beloit Corporation or one of its affiliated companies.
©2018 Regal Beloit Corporation, All Rights Reserved. MC017097E





Nameplate Specifications

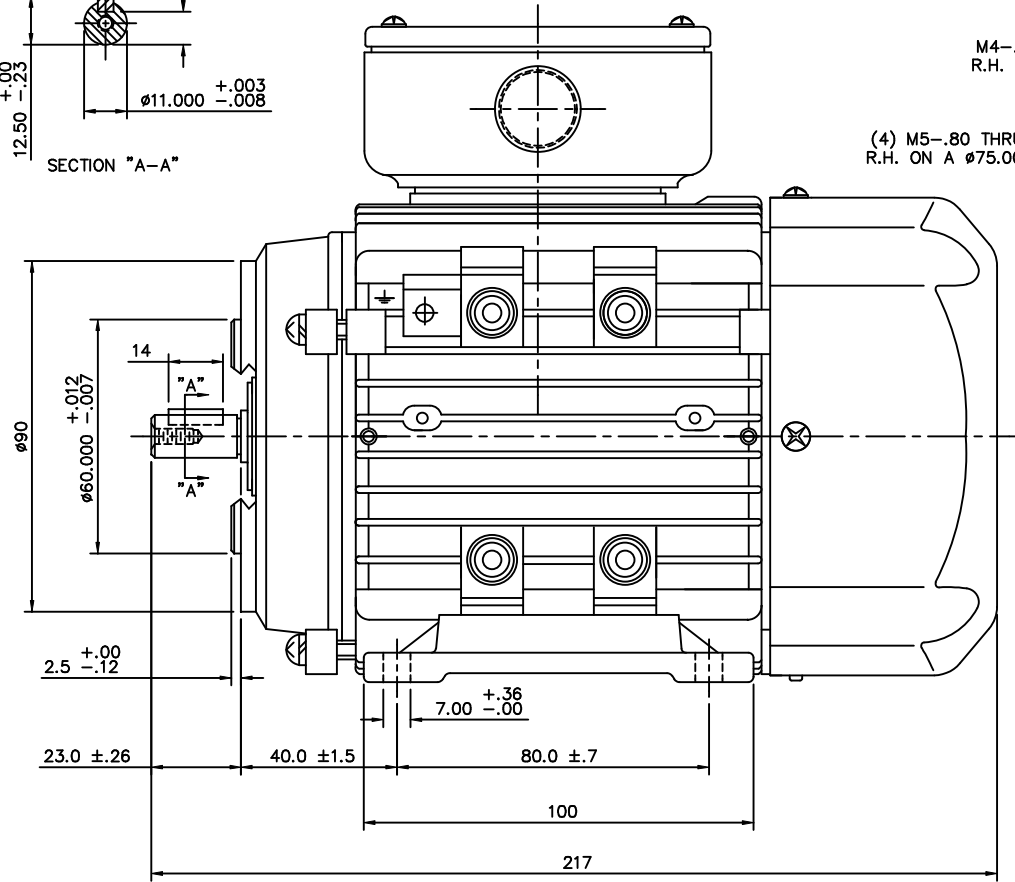
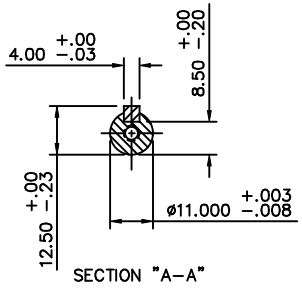
Output HP	0.33 Hp	Output KW	0.25 kW
Frequency	60 Hz	Voltage	230/460 V
Current	1.1/0.55 A	Speed	3430 rpm
Service Factor	1.15	Phase	3
Efficiency	72 %	Duty	Continuous
Insulation Class	F	Design Code	B
KVA Code	J	Frame	63
Enclosure	Totally Enclosed Fan Cooled	Overload Protector	No
Ambient Temperature	40 °C	Drive End Bearing Size	6202
Opp Drive End Bearing Size	6202	UL	Recognized
CSA	Y	CE	Y
IP Code	55		

Technical Specifications

Electrical Type	Squirrel Cage Inverter Rated	Starting Method	Line Or Inverter
Poles	2	Rotation	Reversible
Mounting	Rigid base	Motor Orientation	Horizontal
Drive End Bearing	Ball	Opp Drive End Bearing	Ball
Frame Material	Aluminum	Shaft Type	IEC
Overall Length	8.54 in	Shaft Diameter	0.428 in
Shaft Extension	0.9 in	Assembly/Box Mounting	F3
Outline Drawing	16986300ME	Connection Diagram	00546501ME

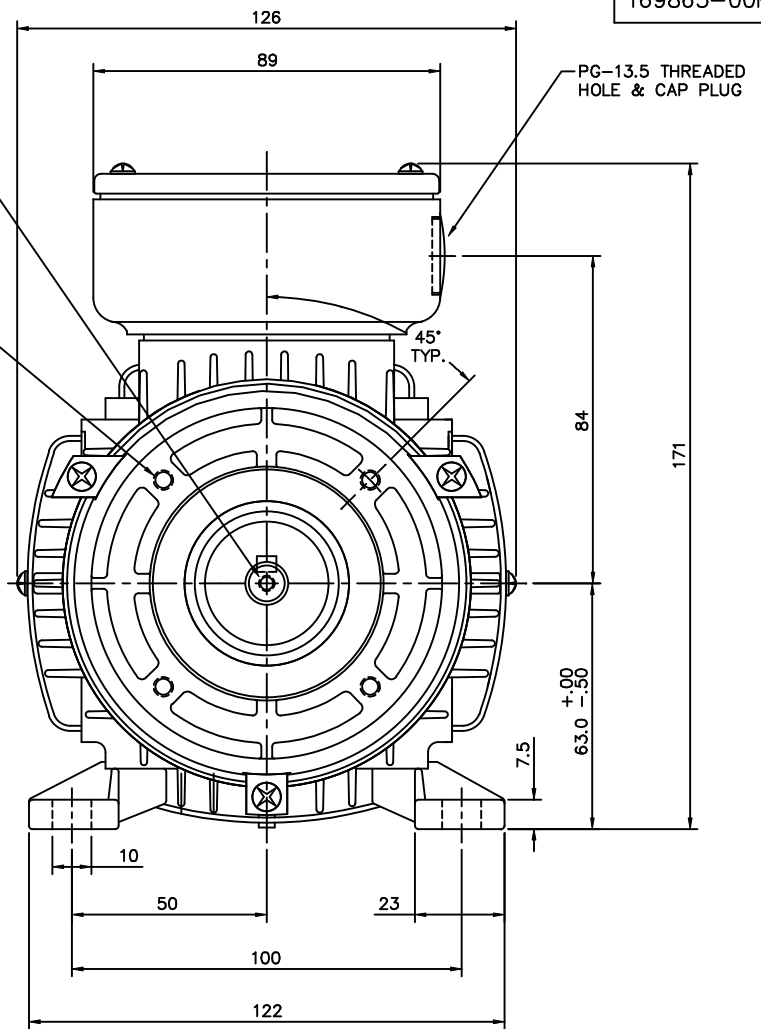
This is an uncontrolled document once printed or downloaded and is subject to change without notice. Date Created: 06/29/2018

169863-00ME

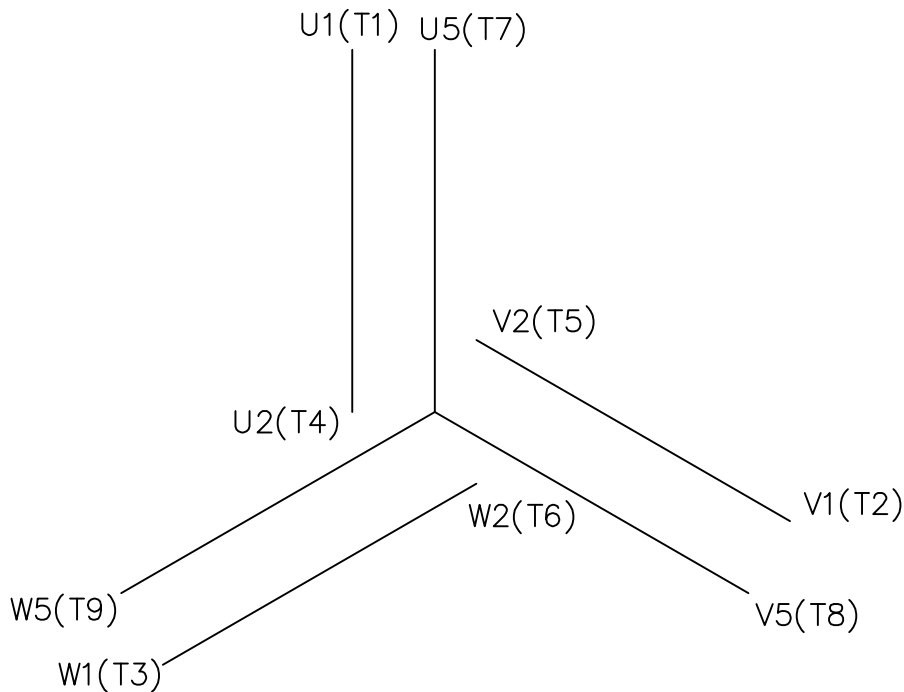


M4-.70 x 10MM DEEP
R.H. THREADED SHAFT

(4) M5-.80 THRU-THREAD
R.H. ON A Ø75.00±.15 B.C.

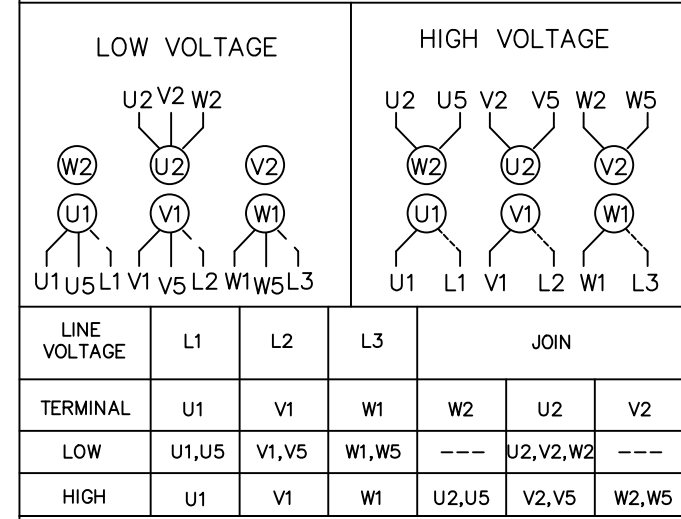


		TOLERANCES UNLESS SPECIFIED		MARATHON ELECTRIC		DRAWN ADS 01/30/2002	
		DEC.	INCHES			CHK NB 09/18/2006	
		.X	±.1			APPD NB 09/18/2006	
		.XX	±.03	TITLE IEC-63 FRAME RIGID MOUNT W/B14 FLANGE		SCALE 1=1.25	
		.XXX	±.005	MATERIAL ALUMINIUM		REF OSVC-300-562	
		.XXXX	±.0005	FINISH		FMF MU74882	
NO.	REVISION	BY & DATE	CHK	ANG	±1/2"	PREV	
	THIS DRAWING IN DESIGN AND DETAIL IS OUR PROPERTY AND MUST NOT BE USED EXCEPT IN CONNECTION WITH OUR WORK ALL RIGHTS OF DESIGN AND INVENTION ARE RESERVED THIS IS AN ELECTRONICALLY GENERATED DOCUMENT - DO NOT SCALE THIS PRINT		RFP	09/18/2006	CAD FILE	16986300me	SIZE B
						DRAWING NO.	REV.
						169863-00ME	

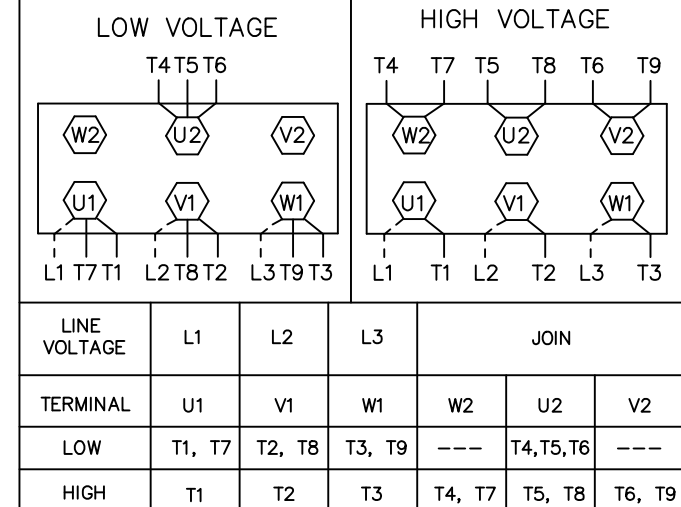


REF. DECAL (IEC) 080644
REF. DECAL (NEMA) 080446

IEC MARKINGS



NEMA MARKINGS



		TOLERANCES UNLESS SPECIFIED				DRAWN JGO 3/10/04			
		DEC.	INCHES			CHK SB 02-17-2010			
		.X	±.1			APPD MJS 02-17-2010			
		.XX	±.01			SCALE 1=1			
		.XXX	±.005			REF			
		.XXXX	±.0005	MAT'L. IEC/NEMA MARKINGS		FMF			
NO.	REVISION	BY & DATE	CHK	ANG	±1/2'	FINISH	PREV		
THIS DRAWING IN DESIGN AND DETAIL IS OUR PROPERTY AND MUST NOT BE USED EXCEPT IN CONNECTION WITH OUR WORK ALL RIGHTS OF DESIGN AND INVENTION ARE RESERVED THIS IS AN ELECTRONICALLY GENERATED DOCUMENT - DO NOT SCALE THIS PRINT			RFP	02-17-2010	CAD FILE	00546501ME	SIZE A	DRAWING NO. 005465ME-01	REV.

CERTIFICATION DATA SHEET

Model#: 63T34FH5404 A **WINDING#:** QT6322 FR 3
CONN. DIAGRAM: 00546501ME **ASSEMBLY:** F3
OUTLINE: 16986300ME

TYPICAL MOTOR PERFORMANCE DATA

HP	KW	SYNC. RPM	F.L. RPM	FRAME	ENCLOSURE	KVA CODE	DESIGN			
1/3&1/3	0.25&0.25	3600	3430&2760	63	TEFC	J	B			
PH	Hz	VOLTS	FL AMPS	START TYPE	DUTY	INSL	S.F	AMB°C	ELEVATION	
3	60/50	230/460#200/ 400	1.1/.55&1.3/.6 5	LINE OR INVERTER	CONTINUOU S	F5	1.15/1.15	40	3300	
FULL LOAD EFF: 72		3/4 LOAD EFF: 68.4		1/2 LOAD EFF: 62		GTD. EFF		ELEC. TYPE		NO LOAD AMPS
FULL LOAD PF: 78		3/4 LOAD PF: 69.3		1/2 LOAD PF: 58.7		0		SQ CAGE INV RATED		.7 / .4
F.L. TORQUE		LOCKED ROTOR AMPS		L.R. TORQUE		B.D. TORQUE		F.L. RISE°C		
8.1 LB-FT		6.5 / 3.3		23.2 LB-FT 290		28 LB-FT 350		29		
SOUND PRESSURE @ 3 FT.	SOUND POWER	ROTOR WK^2	MAX. WK^2	SAFE STALL TIME	STARTS /HOUR	APPROX. MOTOR WGT				
- dBA	- dBA	0 LB-FT^2	- LB-FT^2	10 SEC.	-	0 LBS.				

***** SUPPLEMENTAL INFORMATION *****

DE BRACKET TYPE	ODE BRACKET TYPE	MOUNT TYPE	ORIENTATION	SEVERE DUTY	HAZARDOUS LOCATION	DRIP COVER	SCREENS	PAINT
B14	STANDARD	RIGID	HORIZONTAL	FALSE	NONE	FALSE	NONE	BLUE (ENAMEL)
BEARINGS		GREASE	SHAFT TYPE	SPECIAL DE	SPECIAL ODE	SHAFT MATERIAL	FRAME MATERIAL	
DE	OPE	POLYREX EM	STANDARD IEC	NONE	NONE	AISI 1045 (C-240)	ALUMINUM	
BALL	BALL							
6202	6202							
THERMO-PROTECTORS				THERMISTORS	CONTROL	SPACE /n HEATERS		
THERMOSTATS	PROTECTORS	WDG RTDs	BRG RTDs	NONE	FALSE	NONE VOLTS		
NONE	NOT	NONE	NONE					

If Inverter equals NONE, contact factory for further information

INVERTER TORQUE: CONSTANT 20:1
INV. HP SPEED RANGE: NONE
ENCODER: NONE
NONE NONE
NONE NONE PPR
BRAKE: NONE NONE
NONE P/N NONE
NONE NONE
NONE FT-LB NONE V NONE Hz

*
N
O
T
E
S
*

DATE: 06/28/2017 03:37:31 AM
 FORM 3531 REV.3 02/07/99
 ** Subject to change without notice.