

# PRODUCT INFORMATION PACKET

**marathon**<sup>®</sup>  
Motors

Model No: 063T34FH5401  
Catalog No: R360  
1/4,3600,TEFC,63,3/60/230/460  
TEFC



Regal and Marathon are trademarks of Regal Beloit Corporation or one of its affiliated companies.

©2018 Regal Beloit Corporation, All Rights Reserved. MC017097E

**REGAL**<sup>®</sup>



### Nameplate Specifications

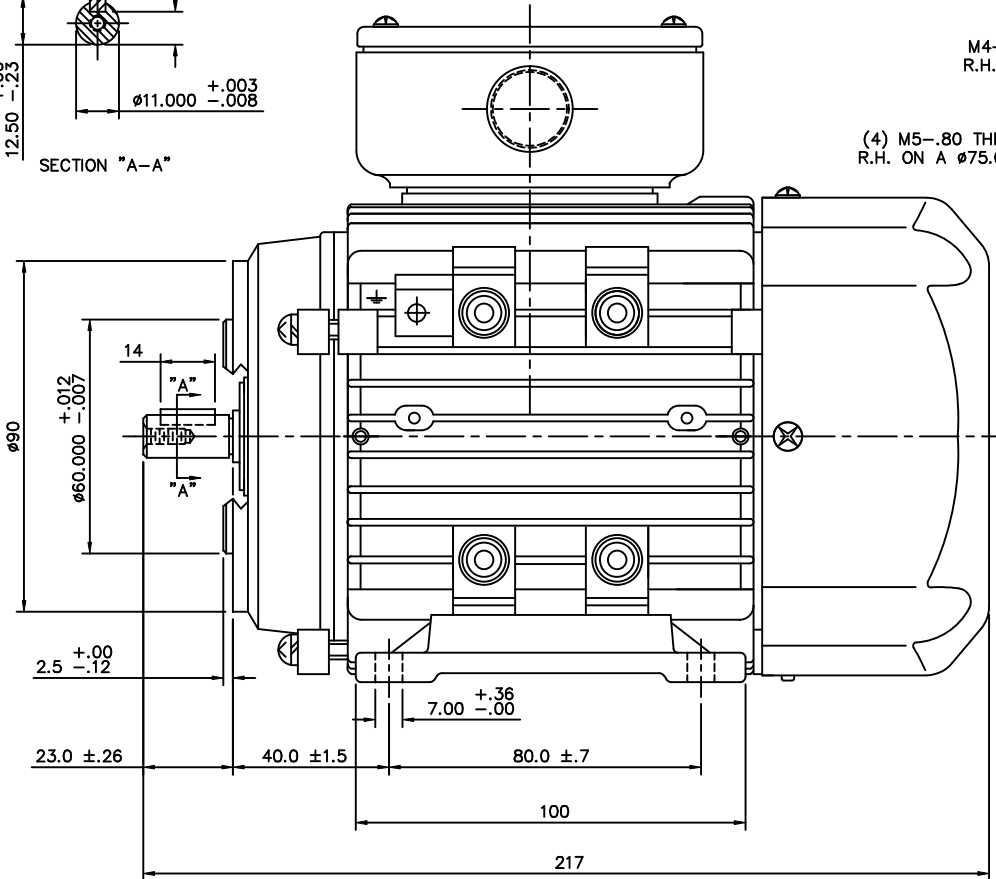
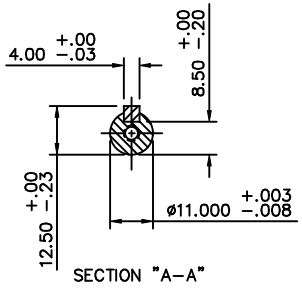
Output HP	<b>0.25 Hp</b>	Output KW	<b>0.19 kW</b>
Frequency	<b>60 Hz</b>	Voltage	<b>230/460 V</b>
Current	<b>0.84/0.42 A</b>	Speed	<b>3430 rpm</b>
Service Factor	<b>1.15</b>	Phase	<b>3</b>
Efficiency	<b>72 %</b>	Duty	<b>Continuous</b>
Insulation Class	<b>F</b>	Design Code	<b>B</b>
KVA Code	<b>J</b>	Frame	<b>63</b>
Enclosure	<b>Totally Enclosed Fan Cooled</b>	Overload Protector	<b>No</b>
Ambient Temperature	<b>40 °C</b>	Drive End Bearing Size	<b>6202</b>
Opp Drive End Bearing Size	<b>6202</b>	UL	<b>Recognized</b>
CSA	<b>Y</b>	CE	<b>Y</b>
IP Code	<b>55</b>		

### Technical Specifications

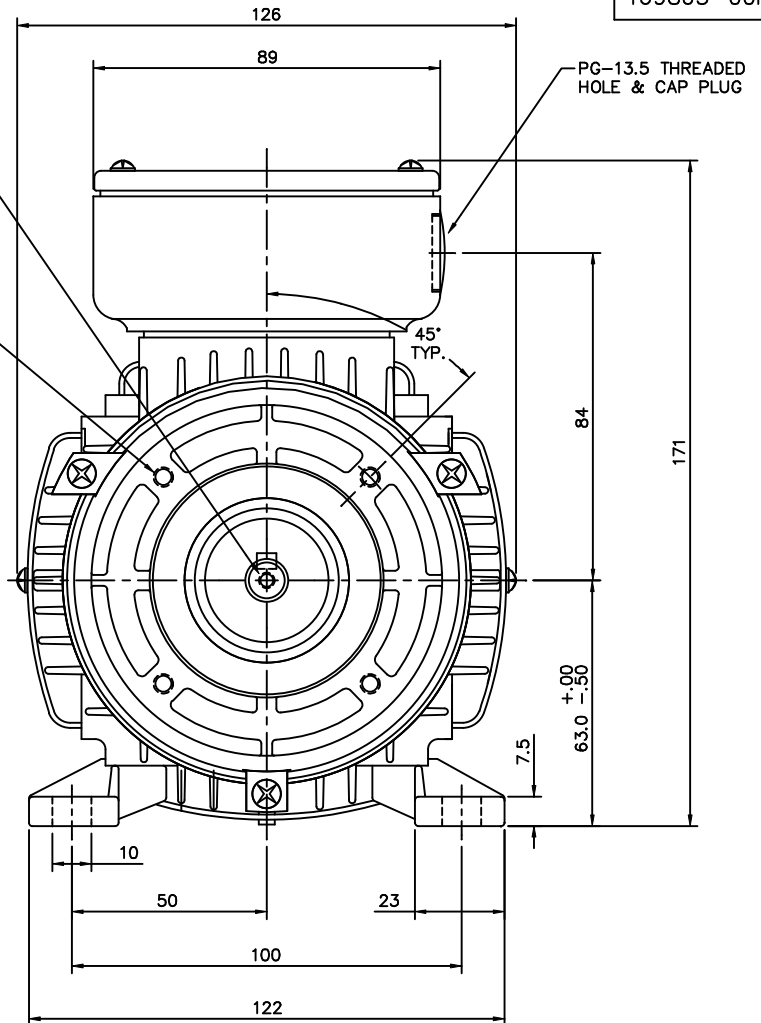
Electrical Type	<b>Squirrel Cage Inverter Rated</b>	Starting Method	<b>Line Or Inverter</b>
Poles	<b>2</b>	Rotation	<b>Reversible</b>
Mounting	<b>Rigid base</b>	Motor Orientation	<b>Horizontal</b>
Drive End Bearing	<b>Ball</b>	Opp Drive End Bearing	<b>Ball</b>
Frame Material	<b>Aluminum</b>	Shaft Type	<b>IEC</b>
Overall Length	<b>8.54 in</b>	Shaft Diameter	<b>0.428 in</b>
Shaft Extension	<b>0.9 in</b>	Assembly/Box Mounting	<b>F3</b>
Outline Drawing	<b>16986300ME</b>	Connection Diagram	<b>00546501ME</b>

This is an uncontrolled document once printed or downloaded and is subject to change without notice. Date Created: 06/29/2018

169863-00ME

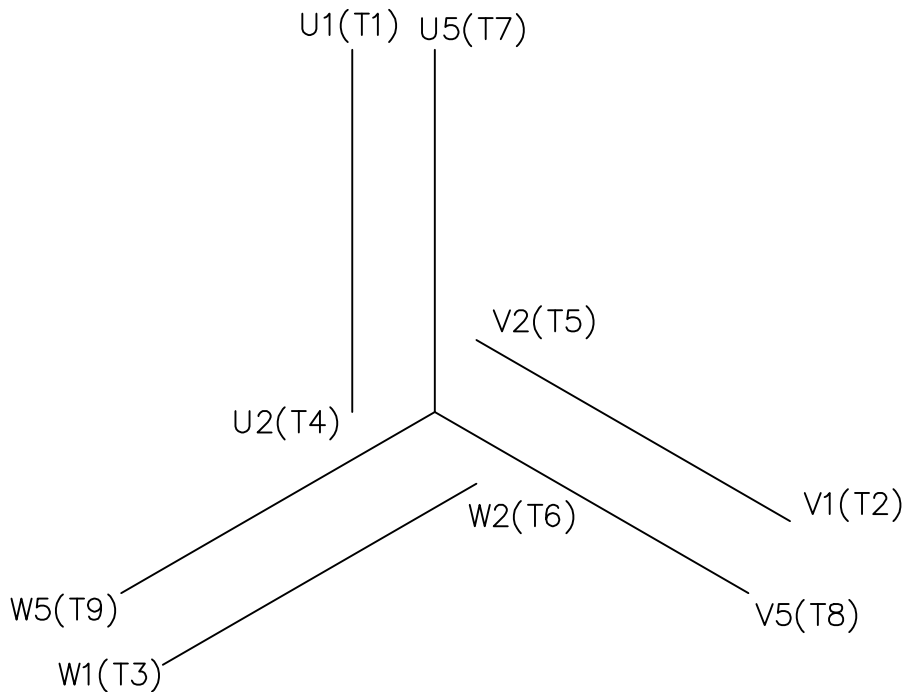


M4-.70 x 10MM DEEP R.H. THREADED SHAFT  
 (4) M5-.80 THRU-THREAD R.H. ON A Ø75.00±.15 B.C.



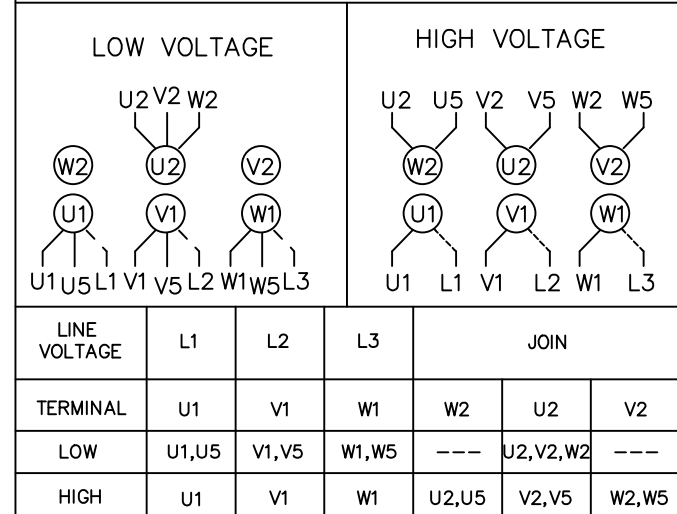
PG-13.5 THREADED HOLE & CAP PLUG

		TOLERANCES UNLESS SPECIFIED		MARATHON ELECTRIC		DRAWN ADS 01/30/2002	
		DEC.	INCHES			CHK	NB 09/18/2006
		.X	±.1			APPD	NB 09/18/2006
		.XX	±.03	TITLE		SCALE 1=1.25	
		.XXX	±.005	IEC-63 FRAME RIGID MOUNT W/B14 FLANGE		REF OSVC-300-562	
		.XXXX	±.0005	MAT'L ALUMINIUM		FMF MU74882	
NO.	REVISION	BY & DATE	CHK	ANG	FINISH	PREV	
	THIS DRAWING IN DESIGN AND DETAIL IS OUR PROPERTY AND MUST NOT BE USED EXCEPT IN CONNECTION WITH OUR WORK ALL RIGHTS OF DESIGN AND INVENTION ARE RESERVED THIS IS AN ELECTRONICALLY GENERATED DOCUMENT - DO NOT SCALE THIS PRINT			RFP	09/18/2006	CAD FILE	16986300me
						SIZE	DRAWING NO.
						B	169863-00ME
						DIST	MAR-WP
						REV.	

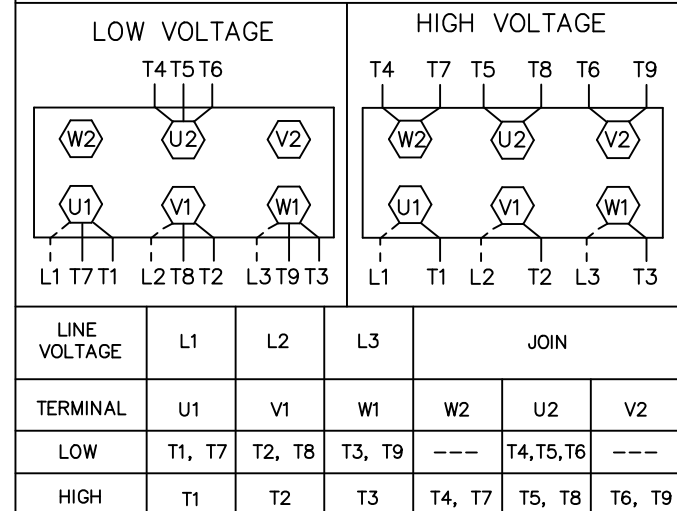


REF. DECAL (IEC) 080644  
REF. DECAL (NEMA) 080446

IEC MARKINGS



NEMA MARKINGS



		TOLERANCES UNLESS SPECIFIED		MARATHON ELECTRIC		DRAWN JGO 3/10/04	
		DEC.	INCHES			CHK SB 02-17-2010	
		.X	±.1			APPD MJS 02-17-2010	
		.XX	±.01	TITLE		SCALE 1=1	
		.XXX	±.005	EXTERNAL WIRING DIAGRAM		REF	
		.XXXX	±.0005	3 PHASE - DUAL VOLTAGE - W/TERM BLOCK		REF	
				MAT'L.		FMF	
NO.	REVISION	BY & DATE	CHK	ANG	±1/2'	FINISH	PREV
THIS DRAWING IN DESIGN AND DETAIL IS OUR PROPERTY AND MUST NOT BE USED EXCEPT IN CONNECTION WITH OUR WORK ALL RIGHTS OF DESIGN AND INVENTION ARE RESERVED THIS IS AN ELECTRONICALLY GENERATED DOCUMENT - DO NOT SCALE THIS PRINT		RFP 02-17-2010	CAD FILE		00546501ME	SIZE	DRAWING NO.
		DIST				A	005465ME-01
							REV.

