

PRODUCT INFORMATION PACKET

marathon[®]
Motors

Model No: 063T34FH5303
Catalog No: R400
1/4,3600,TEFC,63M,3/60/575
TEFC



Regal and Marathon are trademarks of Regal Beloit Corporation or one of its affiliated companies.

©2018 Regal Beloit Corporation, All Rights Reserved. MC017097E

REGAL



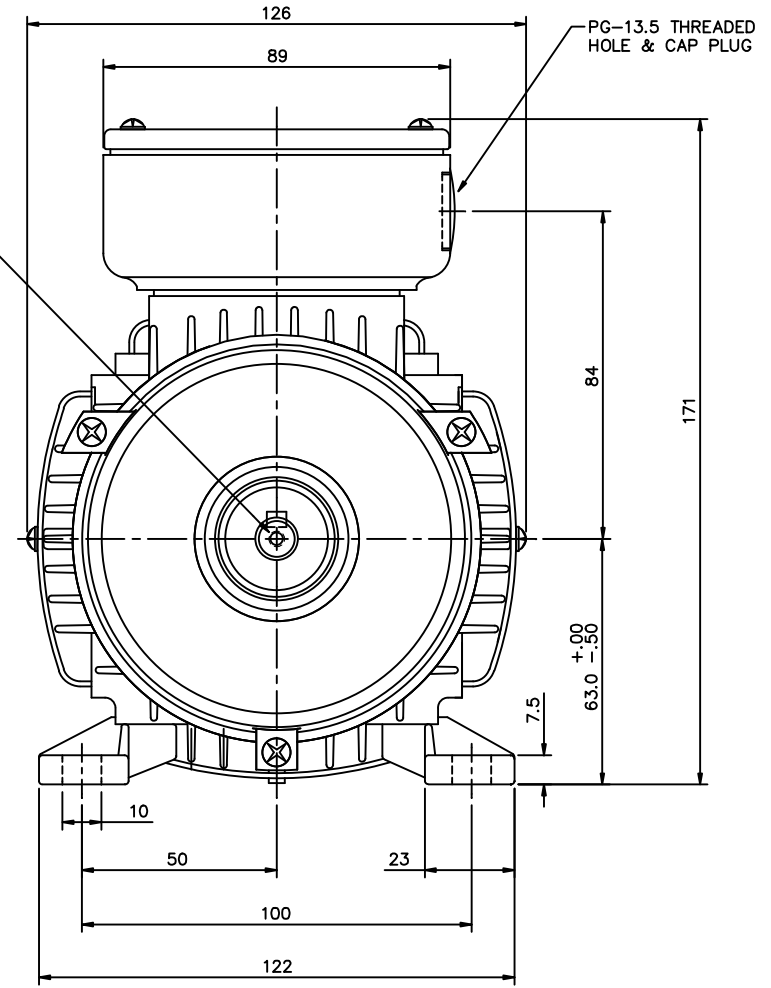
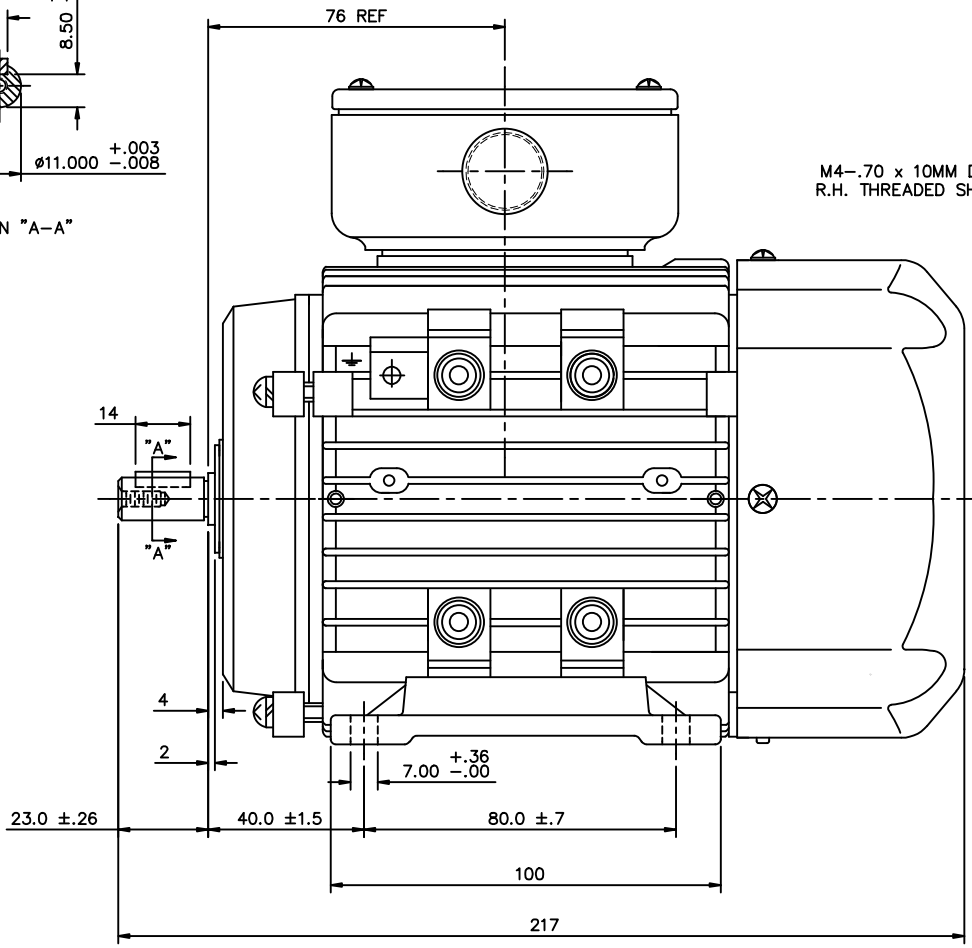
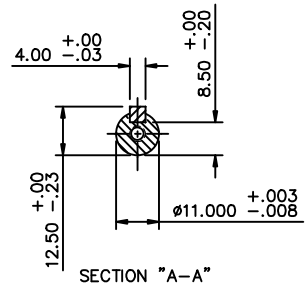
Nameplate Specifications

Output HP	0.25 Hp	Output KW	0.19 kW
Frequency	60 Hz	Voltage	575 V
Current	0.33 A	Speed	3430 rpm
Service Factor	1.15	Phase	3
Efficiency	72 %	Duty	Continuous
Insulation Class	F	Design Code	B
KVA Code	J	Frame	63M
Enclosure	Totally Enclosed Fan Cooled	Overload Protector	No
Ambient Temperature	40 °C	Drive End Bearing Size	6202
Opp Drive End Bearing Size	6202	UL	Recognized
CSA	N	CE	Y
IP Code	43		

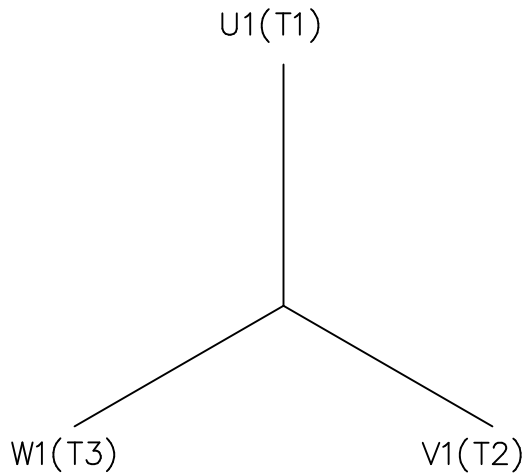
Technical Specifications

Electrical Type	Squirrel Cage Inverter Rated	Starting Method	Line Or Inverter
Poles	2	Rotation	Reversible
Mounting	Rigid base	Motor Orientation	Horizontal
Drive End Bearing	Ball	Opp Drive End Bearing	Ball
Frame Material	Aluminum	Shaft Type	IEC
Overall Length	8.54 in	Shaft Diameter	0.428 in
Shaft Extension	23 in	Assembly/Box Mounting	F3
Outline Drawing	16985900ME	Connection Diagram	00546801ME

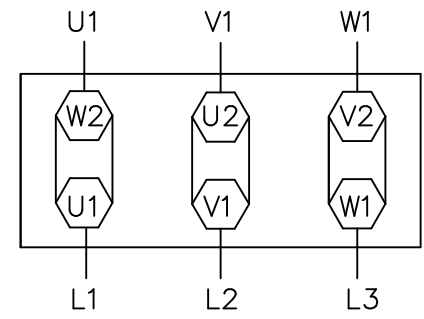
This is an uncontrolled document once printed or downloaded and is subject to change without notice. Date Created: 06/29/2018



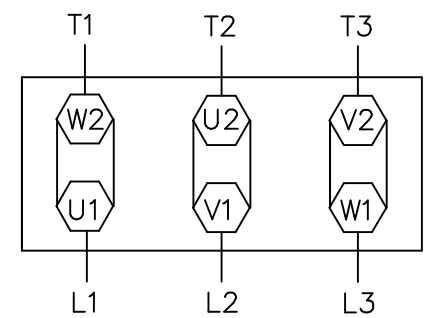
		TOLERANCES UNLESS SPECIFIED			DRAWN ADS 01/18/02			
		DEC.	METRIC		CHK			
		.X	±2.5		APPD			
		.XX	±.76		SCALE 1=1.25			
		.XXX	±.127		REF OSVC-300-554			
		.XXXX	±.0127	MAT'L ALUMINUM	FMF			
NO.	REVISION	BY & DATE	CHK	ANG ±7'30"	FINISH	PREV		
THIS DRAWING IN DESIGN AND DETAIL IS OUR PROPERTY AND MUST NOT BE USED EXCEPT IN CONNECTION WITH OUR WORK ALL RIGHTS OF DESIGN AND INVENTION ARE RESERVED THIS IS AN ELECTRONICALLY GENERATED DOCUMENT - DO NOT SCALE THIS PRINT				RFP	CAD FILE 16985900ME	SIZE B	DRAWING NO. 169859-00ME	REV.
				DIST				



IEC MARKINGS



NEMA MARKINGS



TO REVERSE ROTATION
INTERCHANGE ANY TWO
LINE LEADS

		TOLERANCES UNLESS SPECIFIED	
		DEC.	INCHES
		.X	±.1
		.XX	±.01
		.XXX	±.005
		.XXXX	±.0005
NO.	REVISION	BY & DATE	CHK ANG ±1/2°



TITLE: EXTERNAL WIRING DIAGRAM
TYPE "T" W/O PROT W/TERM. BLOCK

MAT'L:

FINISH:

DRAWN	JGO 3/10/04
CHK	
APPD	
SCALE	3=4
REF	
FMF	
PREV	

THIS DRAWING IN DESIGN AND DETAIL IS OUR PROPERTY AND MUST NOT BE USED EXCEPT IN CONNECTION WITH OUR WORK ALL RIGHTS OF DESIGN AND INVENTION ARE RESERVED THIS IS AN ELECTRONICALLY GENERATED DOCUMENT - DO NOT SCALE THIS PRINT		RFP	CAD FILE	00546801ME	SIZE	DRAWING NO.	REV.
		DIST			A	005468-01ME	

CERTIFICATION DATA SHEET

Model#: 63T34FH5303 A WINDING#: QT6321 FR 4
 CONN. DIAGRAM: 00546801ME ASSEMBLY: F3
 OUTLINE: 16985900ME

TYPICAL MOTOR PERFORMANCE DATA

HP	KW	SYNC. RPM	F.L. RPM	FRAME	ENCLOSURE	KVA CODE	DESIGN
1/4	0.19	3600	3430	63M	TEFC	J	B

PH	Hz	VOLTS	FL AMPS	START TYPE	DUTY	INSL	S.F	AMB°C	ELEVATION
3	60	575	.33	LINE OR INVERTER	CONTINUOUS	F5	1.15	40	3300

FULL LOAD EFF: 72	3/4 LOAD EFF: 69.3	1/2 LOAD EFF: 64	GTD. EFF	ELEC. TYPE	NO LOAD AMPS
FULL LOAD PF: 77	3/4 LOAD PF: 66.9	1/2 LOAD PF: 56.4	-	SQ CAGE INV RATED	.2

F.L. TORQUE	LOCKED ROTOR AMPS	L.R. TORQUE	B.D. TORQUE	F.L. RISE°C
6.1 LB-FT	2	18 LB-FT 300	21 LB-FT 350	-

SOUND PRESSURE @ 3 FT.	SOUND POWER	ROTOR WK^2	MAX. WK^2	SAFE STALL TIME	STARTS /HOUR	APPROX. MOTOR WGT
- dBA	- dBA	0 LB-FT^2	- LB-FT^2	- SEC.	-	- LBS.

*** SUPPLEMENTAL INFORMATION ***

DE BRACKET TYPE	ODE BRACKET TYPE	MOUNT TYPE	ORIENTATION	SEVERE DUTY	HAZARDOUS LOCATION	DRIP COVER	SCREENS	PAINT
STANDARD	STANDARD	RIGID	HORIZONTAL	FALSE	NONE	FALSE	NONE	BLUE (ENAMEL)

BEARINGS		GREASE	SHAFT TYPE	SPECIAL DE	SPECIAL ODE	SHAFT MATERIAL	FRAME MATERIAL
DE	OPE						
BALL	BALL	POLYREX EM	STANDARD IEC	NONE	NONE	AISI 1045 (C-240)	ALUMINUM
6202	6202						

THERMO-PROTECTORS				THERMISTORS	CONTROL	SPACE /n HEATERS
THERMOSTATS	PROTECTORS	WDG RTDs	BRG RTDs			
NONE	NOT	NONE	NONE	NONE	FALSE	NONE VOLTS

If Inverter equals NONE, contact factory for further information

INVERTER TORQUE: CONSTANT 10:1 INV. HP SPEED RANGE: 1.5 X BASE SPEED		
ENCODER: NONE NONE NONE NONE NONE PPR		
BRAKE: NONE	NONE	
NONE	P/N NONE	
NONE	NONE	
NONE FT-LB	NONE V	NONE Hz

*
N
O
T
E
S
*

DATE: 06/28/2017 03:36:02 AM
 FORM 3531 REV.3 02/07/99
 ** Subject to change without notice.