

PRODUCT INFORMATION PACKET

marathon[®]
Motors

Model No: 063T34FH5302
Catalog No: R303
1/3,3600,TEFC,63,3/60/230/460
TEFC



Regal and Marathon are trademarks of Regal Beloit Corporation or one of its affiliated companies.

©2018 Regal Beloit Corporation, All Rights Reserved. MC017097E

REGAL[®]



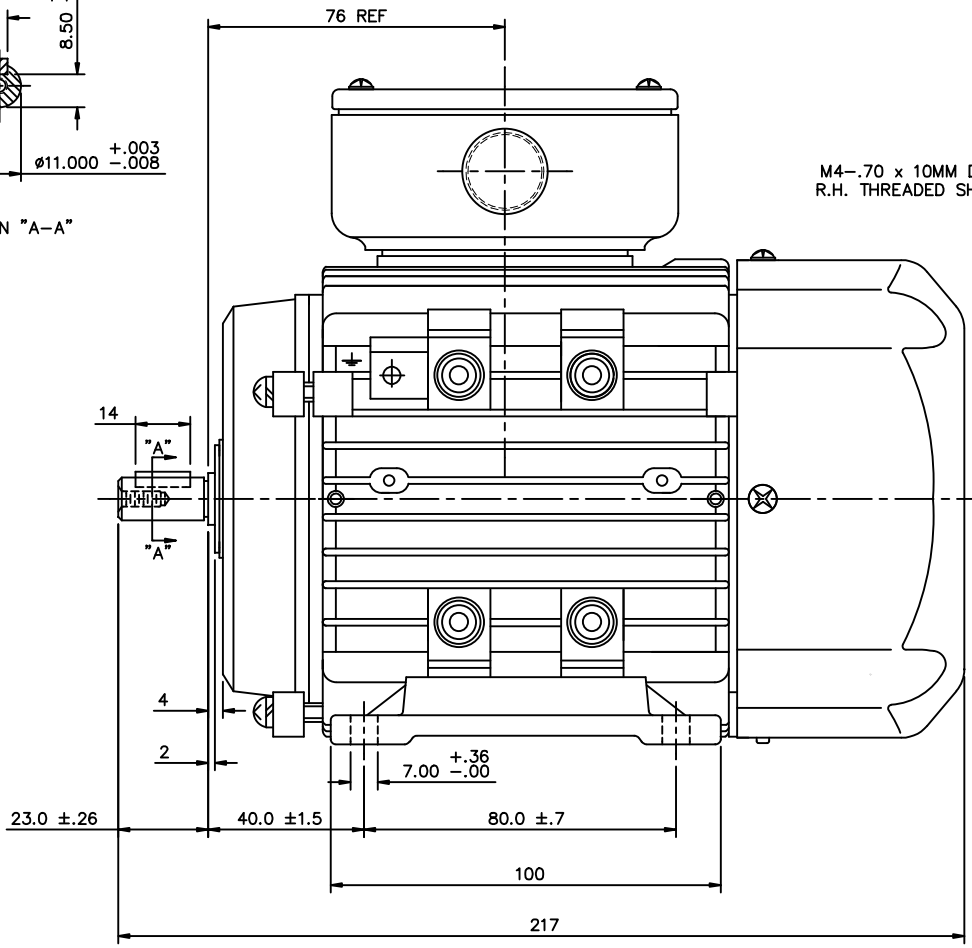
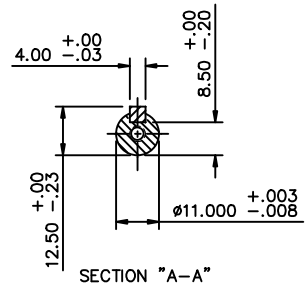
Nameplate Specifications

Output HP	0.33 Hp	Output KW	0.25 kW
Frequency	60 Hz	Voltage	230/460 V
Current	1.1/0.55 A	Speed	3430 rpm
Service Factor	1.15	Phase	3
Efficiency	72 %	Duty	Continuous
Insulation Class	F	Design Code	B
KVA Code	J	Frame	63
Enclosure	Totally Enclosed Fan Cooled	Overload Protector	No
Ambient Temperature	40 °C	Drive End Bearing Size	6202
Opp Drive End Bearing Size	6202	UL	Recognized
CSA	Y	CE	Y
IP Code	55		

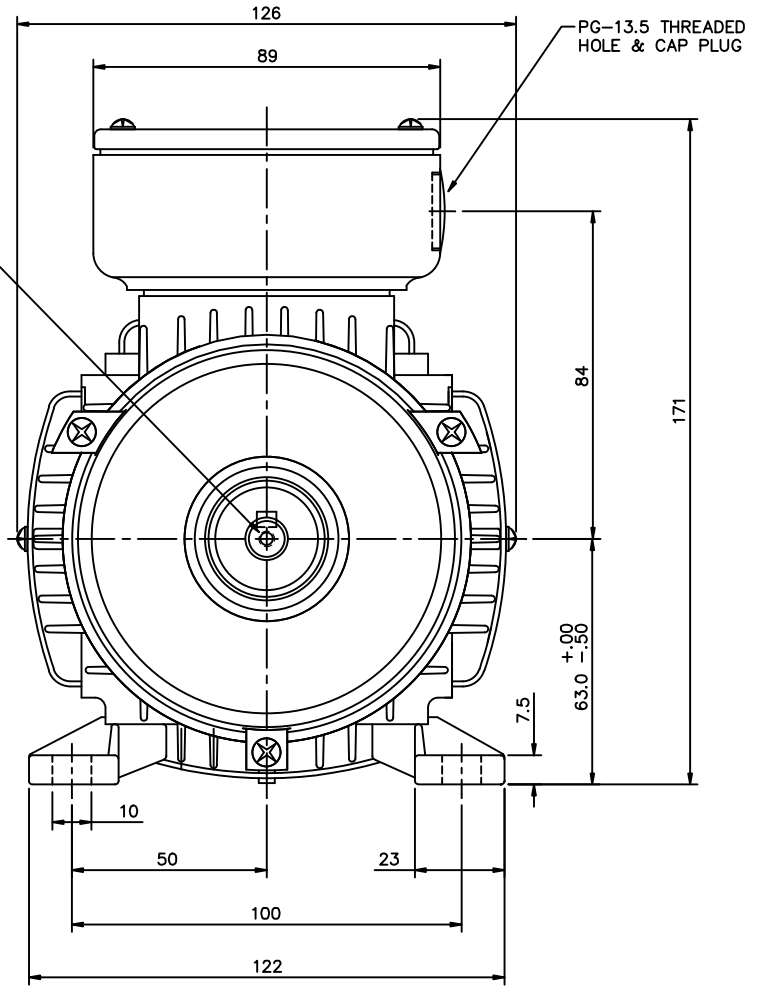
Technical Specifications

Electrical Type	Squirrel Cage Inverter Rated	Starting Method	Line Or Inverter
Poles	2	Rotation	Reversible
Mounting	B3	Motor Orientation	Horizontal
Drive End Bearing	Ball	Opp Drive End Bearing	Ball
Frame Material	Aluminum	Shaft Type	IEC
Overall Length	8.54 in	Shaft Diameter	0.428 in
Shaft Extension	23 in	Assembly/Box Mounting	F3
Outline Drawing	16985900ME	Connection Diagram	00546501ME

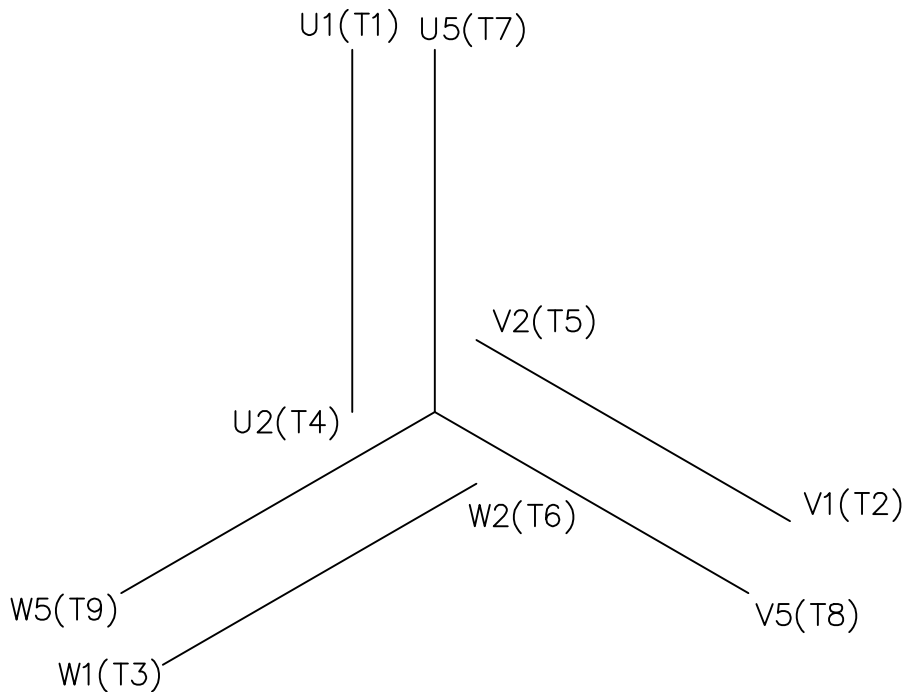
This is an uncontrolled document once printed or downloaded and is subject to change without notice. Date Created: 06/29/2018



M4-.70 x 10MM DEEP R.H. THREADED SHAFT

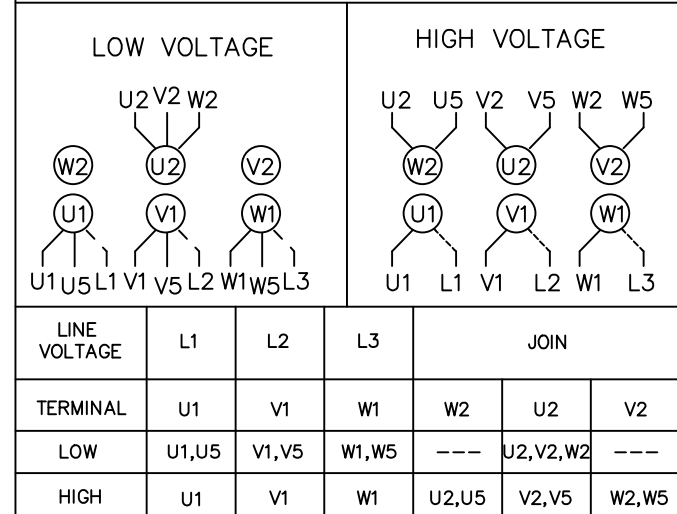


NO.		REVISION	BY & DATE	CHK	ANG	FINISH	REV
THIS DRAWING IN DESIGN AND DETAIL IS OUR PROPERTY AND MUST NOT BE USED EXCEPT IN CONNECTION WITH OUR WORK ALL RIGHTS OF DESIGN AND INVENTION ARE RESERVED THIS IS AN ELECTRONICALLY GENERATED DOCUMENT - DO NOT SCALE THIS PRINT				RFP	CAD FILE	16985900ME	SIZE B
				DIST			DRAWING NO. 169859-00ME
				TOLERANCES UNLESS SPECIFIED		DRAWN ADS 01/18/02	
				DEC.	METRIC	CHK	
				.X	±2.5	APPD	
				.XX	±.76	SCALE 1=1.25	
				.XXX	±.127	REF OSVC-300-554	
				.XXXX	±.0127	FMF	
				MARATHON ELECTRIC		PREV	
				TITLE METRIC MOTOR OUTLINE, IMB3 IEC-63 FRAME RIGID MOUNT			
				MAT'L ALUMINUM			

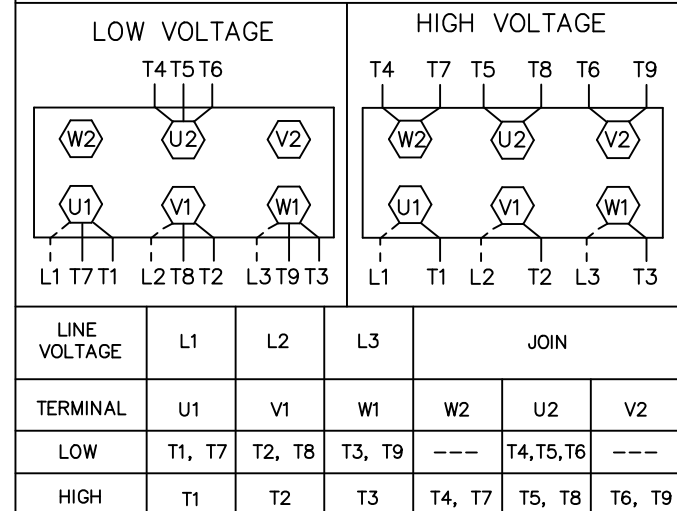


REF. DECAL (IEC) 080644
REF. DECAL (NEMA) 080446

IEC MARKINGS



NEMA MARKINGS



		TOLERANCES UNLESS SPECIFIED		DRAWN				
		DEC.	INCHES	JGO 3/10/04				
		.X	±.1	CHK SB 02-17-2010				
		.XX	±.01	APPD MJS 02-17-2010				
		.XXX	±.005	SCALE 1=1				
		.XXXX	±.0005	REF				
NO.	REVISION	BY & DATE	CHK	ANG	FINISH	PREV		
THIS DRAWING IN DESIGN AND DETAIL IS OUR PROPERTY AND MUST NOT BE USED EXCEPT IN CONNECTION WITH OUR WORK ALL RIGHTS OF DESIGN AND INVENTION ARE RESERVED THIS IS AN ELECTRONICALLY GENERATED DOCUMENT - DO NOT SCALE THIS PRINT			RFP 02-17-2010	CAD FILE	00546501ME	SIZE A	DRAWING NO. 005465ME-01	REV.
			DIST					



CERTIFICATION DATA SHEET

Model#: 63T34FH5302 A **WINDING#:** QT6322 FR 3
CONN. DIAGRAM: 00546501ME **ASSEMBLY:** F3
OUTLINE: 16985900ME

TYPICAL MOTOR PERFORMANCE DATA

HP	KW	SYNC. RPM	F.L. RPM	FRAME	ENCLOSURE	KVA CODE	DESIGN
1/3&1/3	0.25&0.25	3600	3430&2760	63	TEFC	J	B

PH	Hz	VOLTS	FL AMPS	START TYPE	DUTY	INSL	S.F	AMB°C	ELEVATION
3	60/50	230/460#200/ 400	1.1/.55&1.3/.6 5	LINE OR INVERTER	CONTINUOU S	F5	1.15/1.15	40	3300

FULL LOAD EFF: 72	3/4 LOAD EFF: 68.4	1/2 LOAD EFF: 62	GTD. EFF	ELEC. TYPE	NO LOAD AMPS
FULL LOAD PF: 78	3/4 LOAD PF: 69.3	1/2 LOAD PF: 58.7	0	SQ CAGE INV RATED	.7 / .4

F.L. TORQUE	LOCKED ROTOR AMPS	L.R. TORQUE	B.D. TORQUE	F.L. RISE°C
8.1 LB-FT	6.5 / 3.3	23.2 LB-FT 290	28 LB-FT 350	29

SOUND PRESSURE @ 3 FT.	SOUND POWER	ROTOR WK^2	MAX. WK^2	SAFE STALL TIME	STARTS /HOUR	APPROX. MOTOR WGT
- dBA	- dBA	0 LB-FT^2	- LB-FT^2	10 SEC.	-	0 LBS.

*** SUPPLEMENTAL INFORMATION ***

DE BRACKET TYPE	ODE BRACKET TYPE	MOUNT TYPE	ORIENTATION	SEVERE DUTY	HAZARDOUS LOCATION	DRIP COVER	SCREENS	PAINT
STANDARD	STANDARD	B3	HORIZONTAL	FALSE	NONE	FALSE	NONE	BLUE (ENAMEL)

BEARINGS		GREASE	SHAFT TYPE	SPECIAL DE	SPECIAL ODE	SHAFT MATERIAL	FRAME MATERIAL
DE	OPE						
BALL	BALL	POLYREX EM	STANDARD IEC	NONE	NONE	1045 HOT ROLLED (C-204)	ALUMINUM
6202	6202						

THERMO-PROTECTORS				THERMISTORS	CONTROL	SPACE /n HEATERS
THERMOSTATS	PROTECTORS	WDG RTDs	BRG RTDs			
NONE	NOT	NONE	NONE	NONE	FALSE	NONE VOLTS

If Inverter equals NONE, contact factory for further information

INVERTER TORQUE: CONSTANT 20:1
INV. HP SPEED RANGE: 1.5 X BASE SPEED
ENCODER: NONE
NONE NONE
NONE NONE PPR
BRAKE: NONE NONE
NONE P/N NONE
NONE NONE
NONE FT-LB NONE V NONE Hz

*
N
O
T
E
S
*

DATE: 06/28/2017 03:35:33 AM
 FORM 3531 REV.3 02/07/99
 ** Subject to change without notice.