

PRODUCT INFORMATION PACKET

marathon[®]
Motors

Model No: 063T17FH5502
Catalog No: R381
1/4, 1800, TEFC, 63, 3/60/230/460
TEFC



Regal and Marathon are trademarks of Regal Beloit Corporation or one of its affiliated companies.
©2018 Regal Beloit Corporation, All Rights Reserved. MC017097E

REGAL[®]



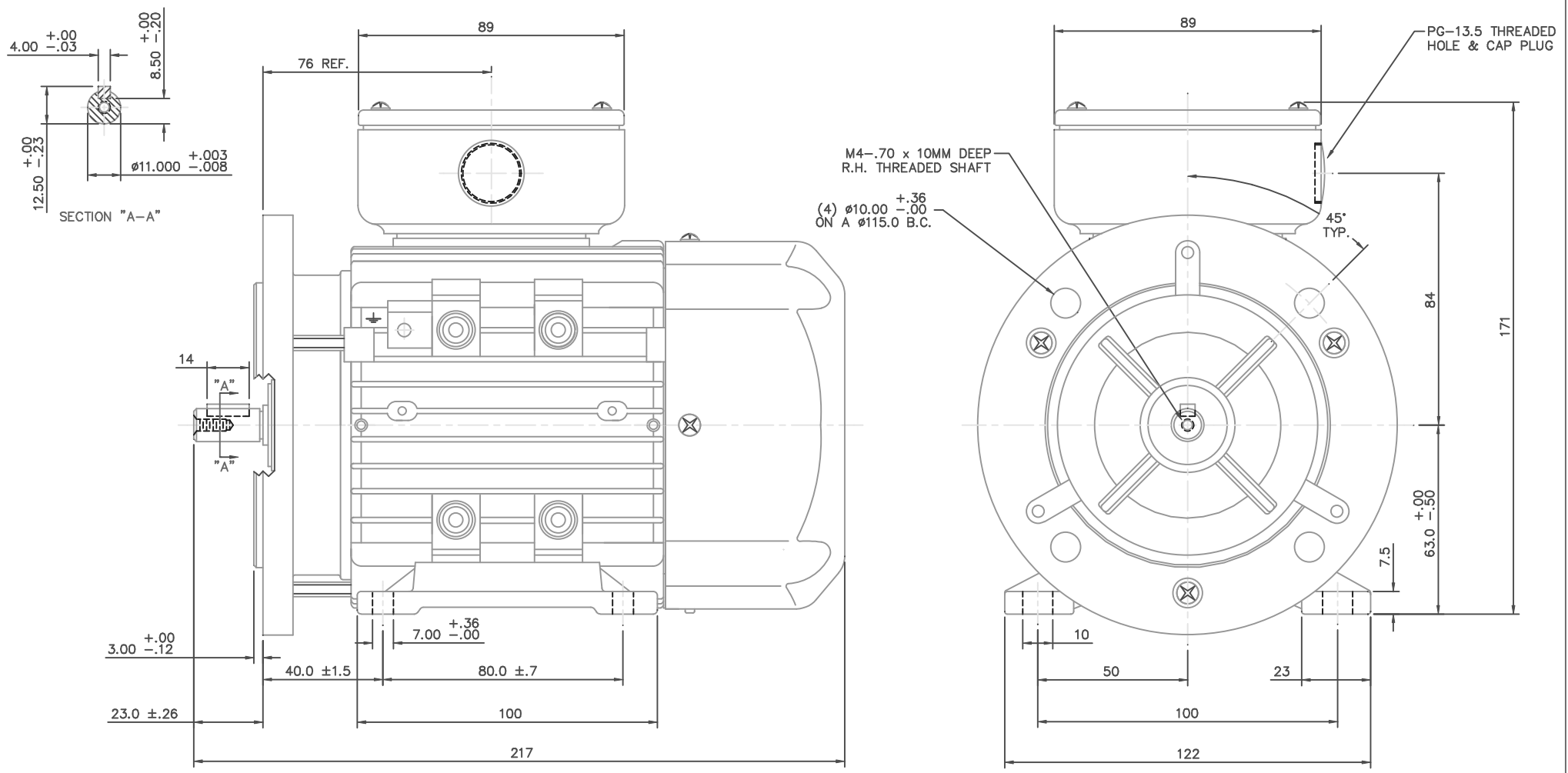
Nameplate Specifications

Output HP	0.25 Hp	Output KW	0.18 kW
Frequency	60 Hz	Voltage	230/460 V
Current	1.0/0.50 A	Speed	1700 rpm
Service Factor	1.15	Phase	3
Efficiency	68 %	Duty	Continuous
Insulation Class	F	Design Code	B
KVA Code	H	Frame	63
Enclosure	Totally Enclosed Fan Cooled	Overload Protector	No
Ambient Temperature	40 °C	Drive End Bearing Size	6202
Opp Drive End Bearing Size	6202	UL	Recognized
CSA	Y	CE	Y
IP Code	55		

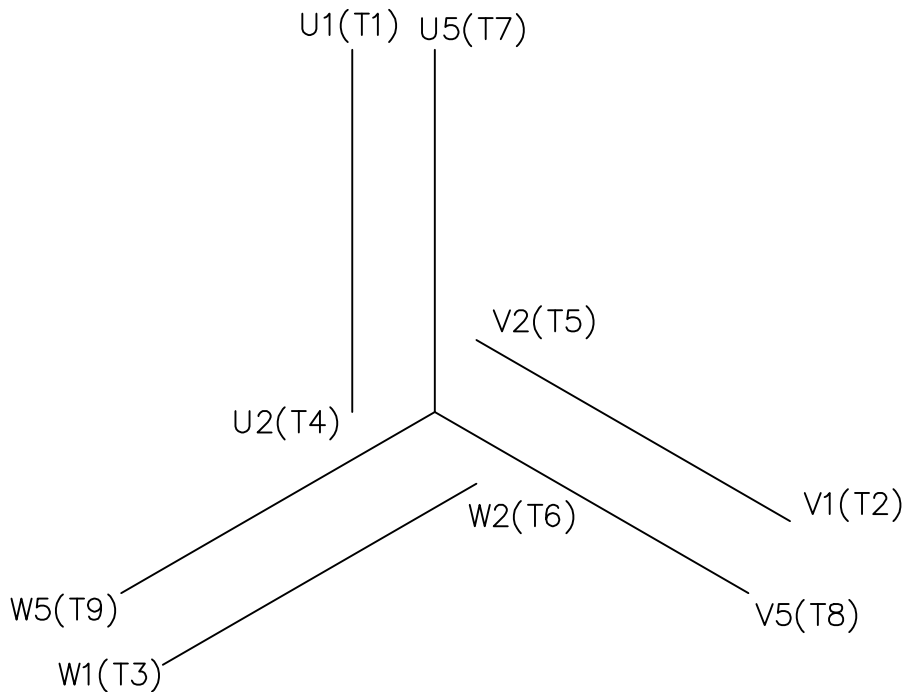
Technical Specifications

Electrical Type	Squirrel Cage Inverter Rated	Starting Method	Line Or Inverter
Poles	4	Rotation	Reversible
Mounting	Rigid base	Motor Orientation	Horizontal
Drive End Bearing	Ball	Opp Drive End Bearing	Ball
Frame Material	Aluminum	Shaft Type	IEC
Overall Length	8.54 in	Shaft Diameter	0.428 in
Shaft Extension	0.9 in	Assembly/Box Mounting	F3
Outline Drawing	16986700ME	Connection Diagram	00546501ME

This is an uncontrolled document once printed or downloaded and is subject to change without notice. Date Created: 07/02/2018

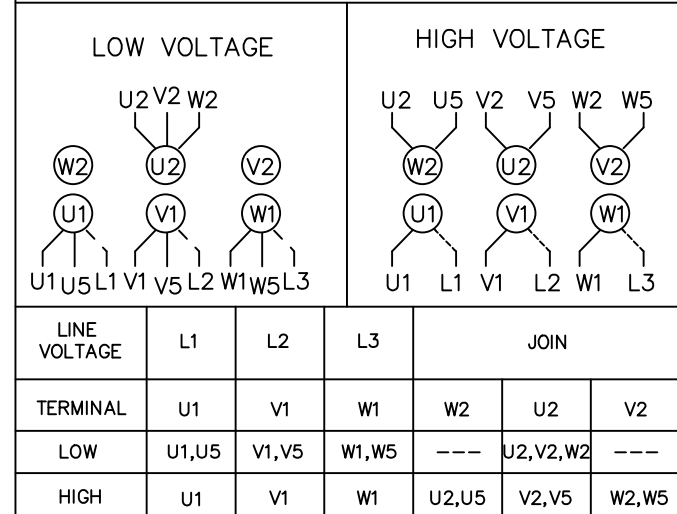


		TO DIMENSIONS UNLESS SPECIFIED				DRAWN ADS 01/31/02			
		DEC.	INCHES			CHK PBS 09/18/2006			
		.X	±.1			APPD PBS 09/18/2006			
		.XX	±.03			SCALE 1=1.25			
		.XXX	±.005			REF OSVC-300-570			
		.XXXX	±.0005	MAT'L ALUMINIUM		FMF MU74844			
NO.	REVISION	BY & DATE	CHK	ANG	±1/2"	PREV			
THIS DRAWING IN DESIGN AND DETAIL IS OUR PROPERTY AND MUST NOT BE USED EXCEPT IN CONNECTION WITH OUR WORK. ALL RIGHTS OF DESIGN AND INVENTION ARE RESERVED. THIS IS AN ELECTRONICALLY GENERATED DOCUMENT - DO NOT SCALE THIS PRINT			RFP	09/18/2006	CAD FILE	16986700me	SIZE B	DRAWING NO. 169867-00ME	REV.
			DIST	MAR-WP					

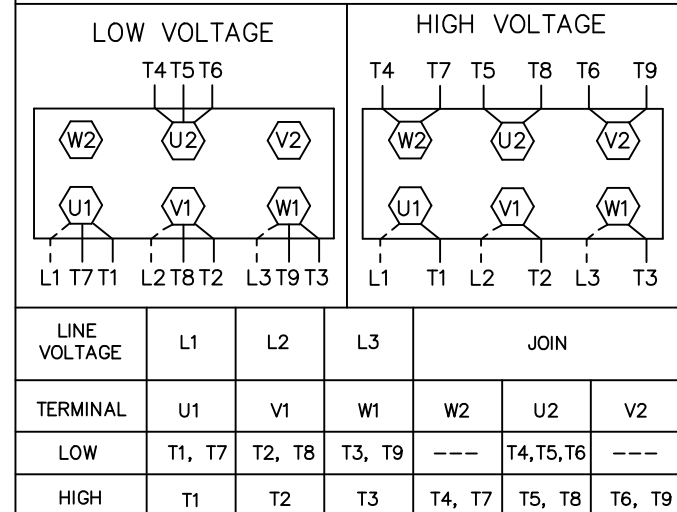


REF. DECAL (IEC) 080644
REF. DECAL (NEMA) 080446

IEC MARKINGS



NEMA MARKINGS



		TOLERANCES UNLESS SPECIFIED		DRAWN				
		DEC.	INCHES	JGO 3/10/04				
		.X	±.1	CHK SB 02-17-2010				
		.XX	±.01	APPD MJS 02-17-2010				
		.XXX	±.005	SCALE 1=1				
		.XXXX	±.0005	REF				
NO.	REVISION	BY & DATE	CHK	ANG	FINISH	PREV		
				±1/2°				
THIS DRAWING IN DESIGN AND DETAIL IS OUR PROPERTY AND MUST NOT BE USED EXCEPT IN CONNECTION WITH OUR WORK ALL RIGHTS OF DESIGN AND INVENTION ARE RESERVED THIS IS AN ELECTRONICALLY GENERATED DOCUMENT - DO NOT SCALE THIS PRINT			RFP 02-17-2010	CAD FILE	00546501ME	SIZE A	DRAWING NO. 005465ME-01	REV.
			DIST					



CERTIFICATION DATA SHEET

Model#: 63T17FH5502 A WINDING#: QT6341 FR 3
 CONN. DIAGRAM: 00546501ME ASSEMBLY: F3
 OUTLINE: 16986700ME

TYPICAL MOTOR PERFORMANCE DATA

HP	KW	SYNC. RPM	F.L. RPM	FRAME	ENCLOSURE	KVA CODE	DESIGN			
1/4&1/4	0.18&0.18	1800	1700&1380	63	TEFC	H	B			
PH	Hz	VOLTS	FL AMPS	START TYPE	DUTY	INSL	S.F	AMB°C	ELEVATION	
3	60/50	230/460#200/400	1.0/0.5&1.2/0.6	LINE OR INVERTER	CONTINUOUS	F5	1.15/1.00	40	3300	
FULL LOAD EFF: 68		3/4 LOAD EFF: 61.5		1/2 LOAD EFF: 54.7		GTD. EFF		ELEC. TYPE		NO LOAD AMPS
FULL LOAD PF: 62.5		3/4 LOAD PF: 54.6		1/2 LOAD PF: 44.5		0		SQ CAGE INV RATED		.9 / .4
F.L. TORQUE		LOCKED ROTOR AMPS		L.R. TORQUE		B.D. TORQUE		F.L. RISE°C		
12 LB-FT		4.4 / 2.2		29.5 LB-FT 246		33 LB-FT 275		39		
SOUND PRESSURE @ 3 FT.	SOUND POWER	ROTOR WK^2	MAX. WK^2	SAFE STALL TIME	STARTS /HOUR	APPROX. MOTOR WGT				
- dBA	- dBA	0 LB-FT^2	- LB-FT^2	10 SEC.	-	0 LBS.				

***** SUPPLEMENTAL INFORMATION *****

DE BRACKET TYPE	ODE BRACKET TYPE	MOUNT TYPE	ORIENTATION	SEVERE DUTY	HAZARDOUS LOCATION	DRIP COVER	SCREENS	PAINT
B5	STANDARD	RIGID	HORIZONTAL	FALSE	NONE	FALSE	NONE	BLUE (ENAMEL)

BEARINGS		GREASE	SHAFT TYPE	SPECIAL DE	SPECIAL ODE	SHAFT MATERIAL	FRAME MATERIAL
DE	OPE	POLYREX EM	STANDARD IEC	NONE	NONE	AISI 1045 (C-240)	ALUMINUM
BALL	BALL						
6202	6202						

THERMO-PROTECTORS				THERMISTORS	CONTROL	SPACE /n HEATERS
THERMOSTATS	PROTECTORS	WDG RTDs	BRG RTDs	NONE	FALSE	NONE VOLTS
NONE	NOT	NONE	NONE			

If Inverter equals NONE, contact factory for further information

INVERTER TORQUE: CONSTANT 20:1
INV. HP SPEED RANGE: NONE
ENCODER: NONE
NONE NONE
NONE NONE PPR
BRAKE: NONE NONE
NONE P/N NONE
NONE NONE
NONE FT-LB NONE V NONE Hz

*
N
O
T
E
S
*

DATE: 06/28/2017 03:34:29 AM
 FORM 3531 REV.3 02/07/99
 ** Subject to change without notice.