

PRODUCT INFORMATION PACKET

marathon[®]
Motors

Model No: 063T17FH5402
Catalog No: R361
1/4, 1800, TEFC, 60, 3/60/230/460
TEFC



Regal and Marathon are trademarks of Regal Beloit Corporation or one of its affiliated companies.
©2018 Regal Beloit Corporation, All Rights Reserved. MC017097E

REGAL[®]



Nameplate Specifications

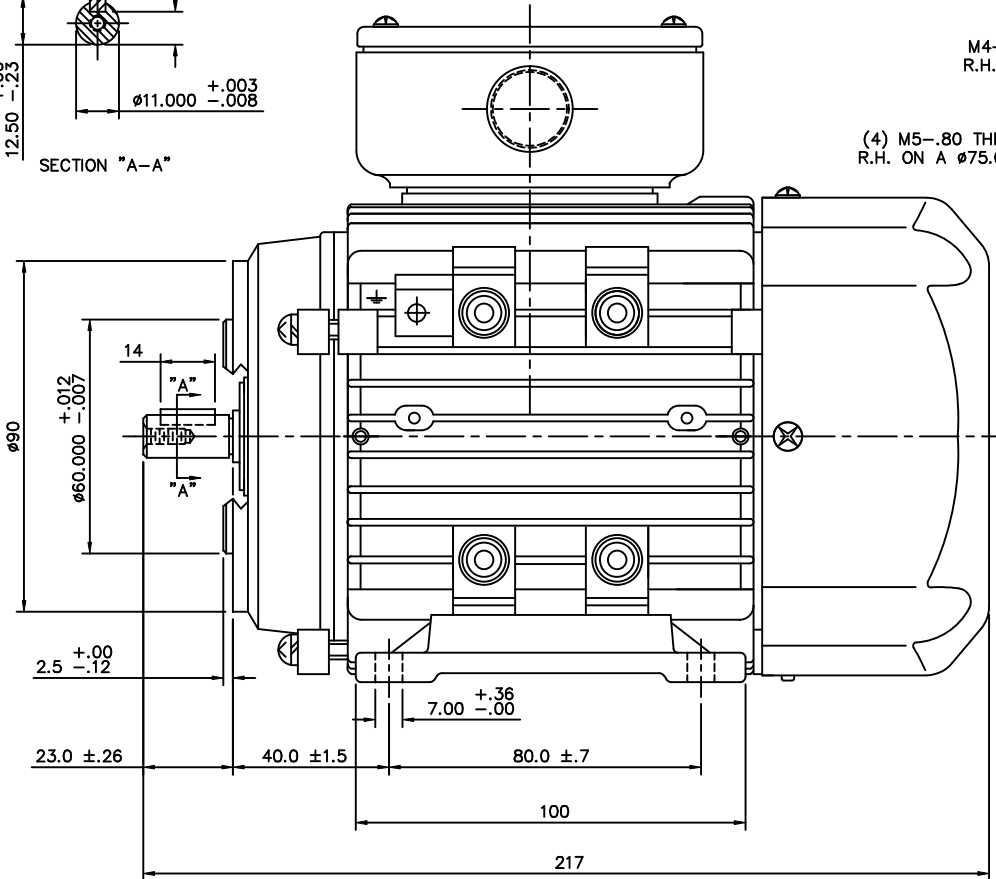
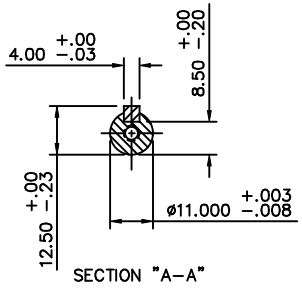
Output HP	0.25 Hp	Output KW	0.18 kW
Frequency	60 Hz	Voltage	230/460 V
Current	1.0/0.50 A	Speed	1700 rpm
Service Factor	1.15	Phase	3
Efficiency	68 %	Duty	Continuous
Insulation Class	F	Design Code	B
KVA Code	H	Frame	63
Enclosure	Totally Enclosed Fan Cooled	Overload Protector	No
Ambient Temperature	40 °C	Drive End Bearing Size	6202
Opp Drive End Bearing Size	6202	UL	Recognized
CSA	Y	CE	Y
IP Code	55		

Technical Specifications

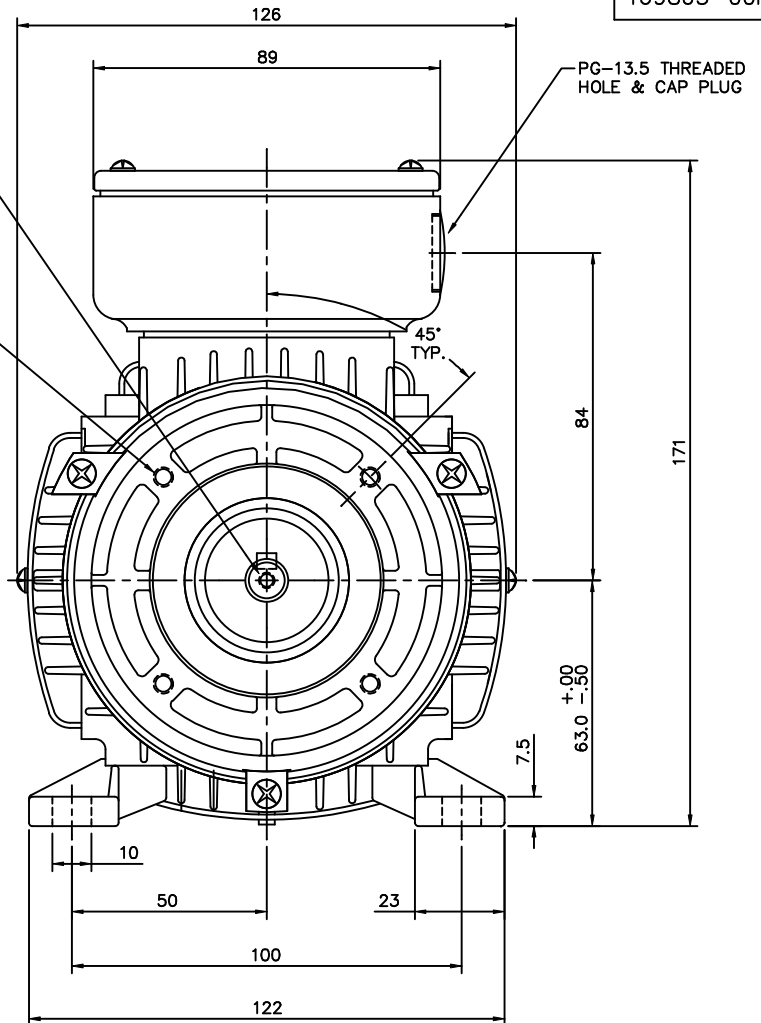
Electrical Type	Squirrel Cage Inverter Rated	Starting Method	Line Or Inverter
Poles	4	Rotation	Reversible
Mounting	Rigid base	Motor Orientation	Horizontal
Drive End Bearing	Ball	Opp Drive End Bearing	Ball
Frame Material	Aluminum	Shaft Type	IEC
Overall Length	8.54 in	Shaft Diameter	0.428 in
Shaft Extension	0.9 in	Assembly/Box Mounting	F3
Outline Drawing	16986300ME	Connection Diagram	00546501ME

This is an uncontrolled document once printed or downloaded and is subject to change without notice. Date Created: 07/02/2018

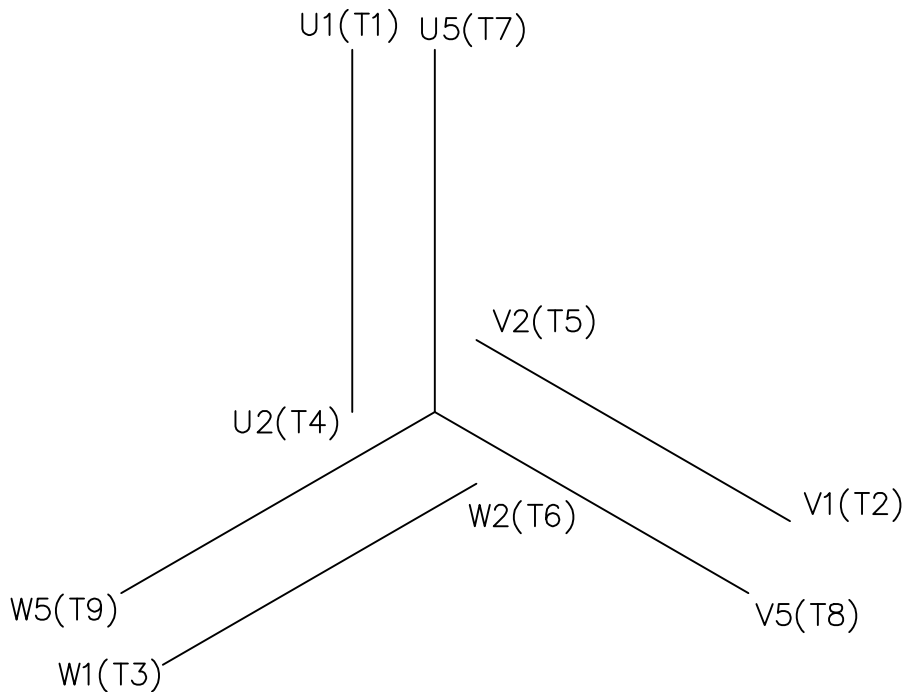
169863-00ME



M4-.70 x 10MM DEEP R.H. THREADED SHAFT
 (4) M5-.80 THRU-THREAD R.H. ON A Ø75.00±.15 B.C.

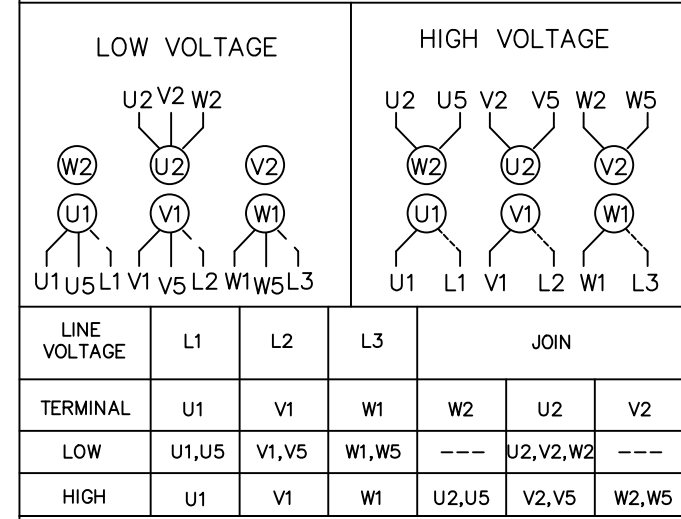


		TOLERANCES UNLESS SPECIFIED		MARATHON ELECTRIC	DRAWN
		DEC.	INCHES		ADS
		.X	±.1		01/30/2002
		.XX	±.03		CHK NB 09/18/2006
		.XXX	±.005	TITLE	APPD NB 09/18/2006
		.XXXX	±.0005	IEC-63 FRAME RIGID MOUNT W/B14 FLANGE	SCALE 1=1.25
				ALUMINIUM	REF OSVC-300-562
NO.	REVISION	BY & DATE	CHK ANG ±1/2°	FINISH	FMF MU74882
THIS DRAWING IN DESIGN AND DETAIL IS OUR PROPERTY AND MUST NOT BE USED EXCEPT IN CONNECTION WITH OUR WORK ALL RIGHTS OF DESIGN AND INVENTION ARE RESERVED THIS IS AN ELECTRONICALLY GENERATED DOCUMENT - DO NOT SCALE THIS PRINT			RFP 09/18/2006	CAD FILE 16986300me	PREV
				DIST MAR-WP	SIZE B
					DRAWING NO. 169863-00ME
					REV.

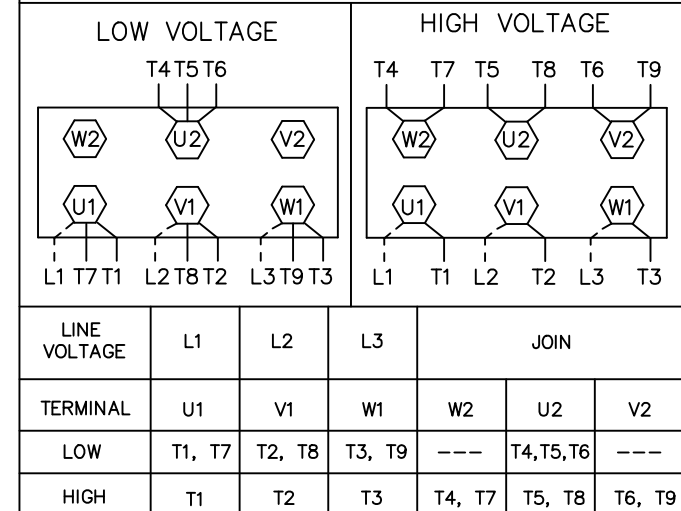


REF. DECAL (IEC) 080644
REF. DECAL (NEMA) 080446

IEC MARKINGS



NEMA MARKINGS



		TOLERANCES UNLESS SPECIFIED		MARATHON ELECTRIC		DRAWN JGO 3/10/04	
		DEC.	INCHES			CHK SB 02-17-2010	
		.X	±.1			APPD MJS 02-17-2010	
		.XX	±.01	TITLE		SCALE 1=1	
		.XXX	±.005	EXTERNAL WIRING DIAGRAM		REF	
		.XXXX	±.0005	3 PHASE - DUAL VOLTAGE - W/TERM BLOCK		FMF	
NO.	REVISION	BY & DATE	CHK	ANG	±1/2'	FINISH	PREV
THIS DRAWING IN DESIGN AND DETAIL IS OUR PROPERTY AND MUST NOT BE USED EXCEPT IN CONNECTION WITH OUR WORK ALL RIGHTS OF DESIGN AND INVENTION ARE RESERVED THIS IS AN ELECTRONICALLY GENERATED DOCUMENT - DO NOT SCALE THIS PRINT		RFP	02-17-2010	CAD FILE	00546501ME	SIZE	DRAWING NO.
		DIST				A	005465ME-01
							REV.

CERTIFICATION DATA SHEET

Model#: 63T17FH5402 A WINDING#: QT6341 FR 3
 CONN. DIAGRAM: 00546501ME ASSEMBLY: F3
 OUTLINE: 16986300ME

TYPICAL MOTOR PERFORMANCE DATA

HP	KW	SYNC. RPM	F.L. RPM	FRAME	ENCLOSURE	KVA CODE	DESIGN
1/4&1/4	0.18&0.18	1800	1700&1380	63	TEFC	H	B

PH	Hz	VOLTS	FL AMPS	START TYPE	DUTY	INSL	S.F	AMB°C	ELEVATION
3	60/50	230/460#200/ 400	1.0/0.5&1.2/0. 6	LINE OR INVERTER	CONTINUOU S	F5	1.15/1.00	40	3300

FULL LOAD EFF: 68	3/4 LOAD EFF: 61.5	1/2 LOAD EFF: 54.7	GTD. EFF	ELEC. TYPE	NO LOAD AMPS
FULL LOAD PF: 62.5	3/4 LOAD PF: 54.6	1/2 LOAD PF: 44.5	0	SQ CAGE INV RATED	.9 / .4

F.L. TORQUE	LOCKED ROTOR AMPS	L.R. TORQUE	B.D. TORQUE	F.L. RISE°C
12 LB-FT	4.4 / 2.2	29.5 LB-FT 246	33 LB-FT 275	39

SOUND PRESSURE @ 3 FT.	SOUND POWER	ROTOR WK^2	MAX. WK^2	SAFE STALL TIME	STARTS /HOUR	APPROX. MOTOR WGT
- dBA	- dBA	0 LB-FT^2	- LB-FT^2	10 SEC.	-	0 LBS.

***** SUPPLEMENTAL INFORMATION *****

DE BRACKET TYPE	ODE BRACKET TYPE	MOUNT TYPE	ORIENTATION	SEVERE DUTY	HAZARDOUS LOCATION	DRIP COVER	SCREENS	PAINT
B14	STANDARD	RIGID	HORIZONTAL	FALSE	NONE	FALSE	NONE	BLUE (ENAMEL)

BEARINGS		GREASE	SHAFT TYPE	SPECIAL DE	SPECIAL ODE	SHAFT MATERIAL	FRAME MATERIAL
DE	OPE						
BALL	BALL	POLYREX EM	STANDARD IEC	NONE	NONE	AISI 1045 (C-240)	ALUMINUM
6202	6202						

THERMO-PROTECTORS				THERMISTORS	CONTROL	SPACE /n HEATERS
THERMOSTATS	PROTECTORS	WDG RTDs	BRG RTDs			
NONE	NOT	NONE	NONE	NONE	FALSE	NONE VOLTS

If Inverter equals NONE, contact factory for further information

INVERTER TORQUE: CONSTANT 20:1
INV. HP SPEED RANGE: NONE
ENCODER: NONE NONE NONE NONE NONE PPR
BRAKE: NONE NONE NONE P/N NONE NONE NONE NONE FT-LB NONE V NONE Hz

*
N
O
T
E
S
*

DATE: 06/28/2017 02:36:24 AM
 FORM 3531 REV.3 02/07/99
 ** Subject to change without notice.