



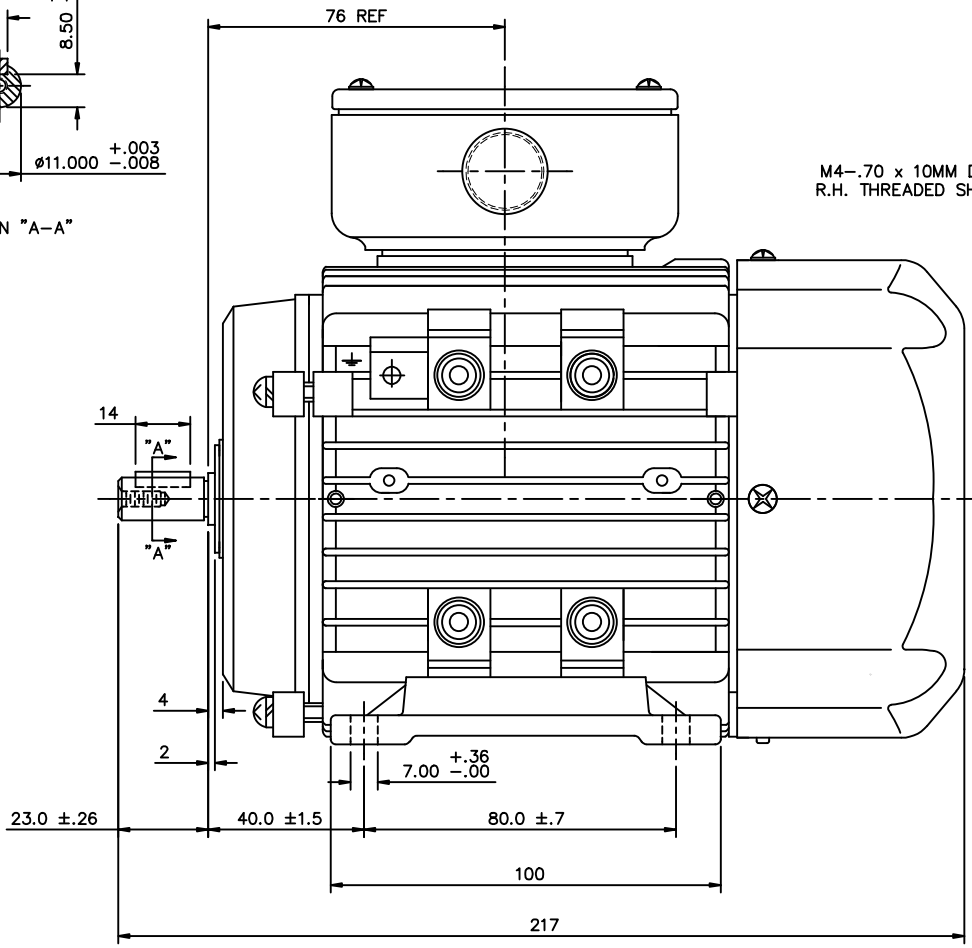
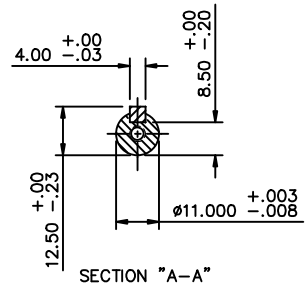
Nameplate Specifications

Output HP	0.25 Hp	Output KW	0.19 kW
Frequency	60 Hz	Voltage	575 V
Current	0.43 A	Speed	1700 rpm
Service Factor	1.15	Phase	3
Efficiency	68 %	Duty	Continuous
Insulation Class	F	Design Code	B
KVA Code	H	Frame	63M
Enclosure	Totally Enclosed Fan Cooled	Overload Protector	No
Ambient Temperature	40 °C	Drive End Bearing Size	6202
Opp Drive End Bearing Size	6202	UL	Recognized
CSA	N	CE	Y
IP Code	43		

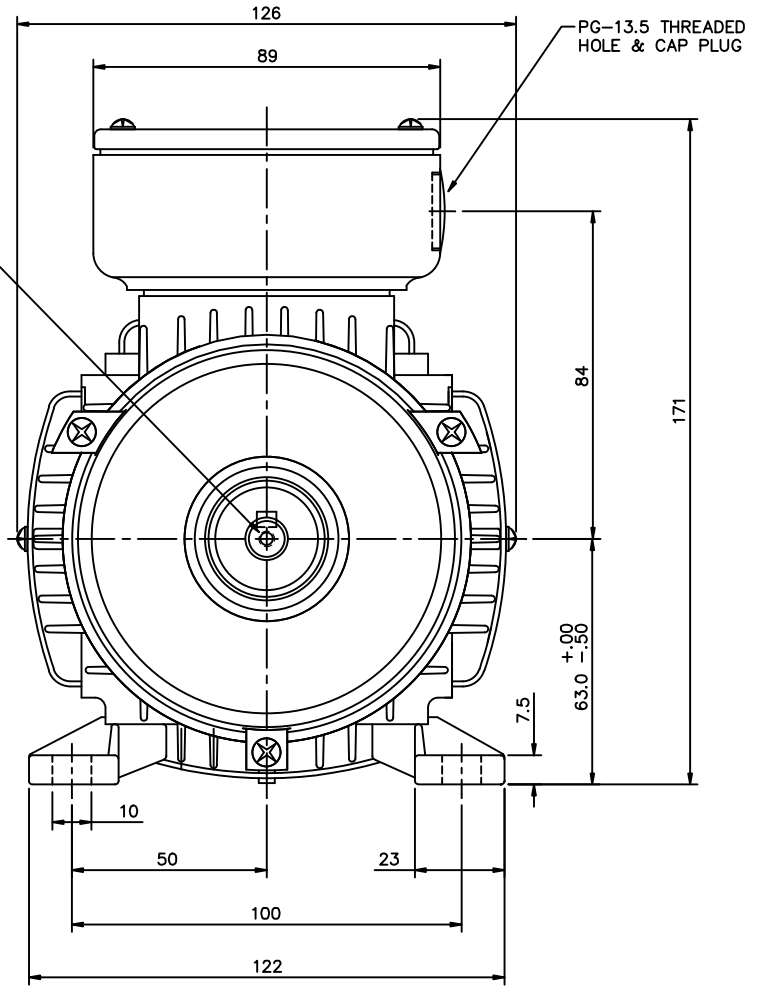
Technical Specifications

Electrical Type	Squirrel Cage Inverter Rated	Starting Method	Line Or Inverter
Poles	4	Rotation	Reversible
Mounting	Rigid base	Motor Orientation	Horizontal
Drive End Bearing	Ball	Opp Drive End Bearing	Ball
Frame Material	Aluminum	Shaft Type	IEC
Overall Length	8.54 in	Shaft Diameter	0.428 in
Shaft Extension	23 in	Assembly/Box Mounting	F3
Outline Drawing	16985900ME	Connection Diagram	00546801ME

This is an uncontrolled document once printed or downloaded and is subject to change without notice. Date Created: 06/29/2018

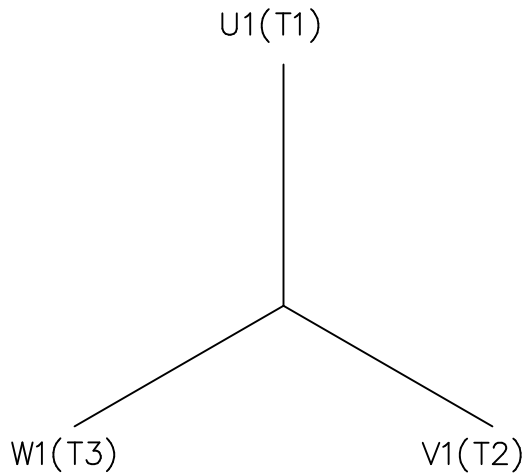


M4-.70 x 10MM DEEP R.H. THREADED SHAFT

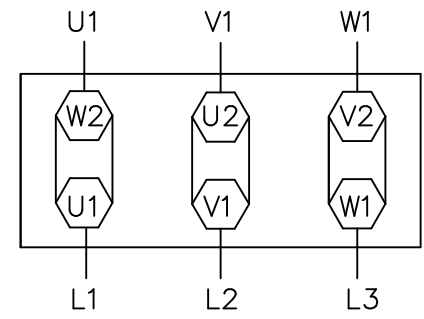


PG-13.5 THREADED HOLE & CAP PLUG

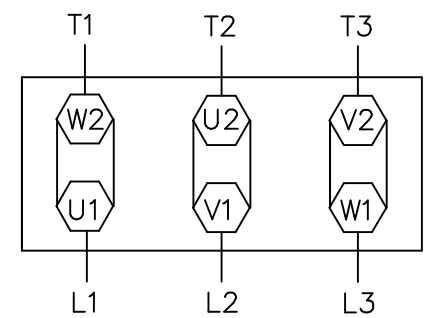
		TOLERANCES UNLESS SPECIFIED			DRAWN ADS 01/18/02
		DEC.	METRIC		CHK
		.X	±2.5		APPD
		.XX	±.76		SCALE 1=1.25
		.XXX	±.127		REF OSVC-300-554
		.XXXX	±.0127	MAT'L ALUMINUM	FMF
NO.	REVISION	BY & DATE	CHK ANG ±7'30"	FINISH	PREV
THIS DRAWING IN DESIGN AND DETAIL IS OUR PROPERTY AND MUST NOT BE USED EXCEPT IN CONNECTION WITH OUR WORK ALL RIGHTS OF DESIGN AND INVENTION ARE RESERVED THIS IS AN ELECTRONICALLY GENERATED DOCUMENT - DO NOT SCALE THIS PRINT				RFP	CAD FILE 16985900ME
				SIZE B	DRAWING NO. 169859-00ME
				DIST	REV.



IEC MARKINGS



NEMA MARKINGS



TO REVERSE ROTATION
INTERCHANGE ANY TWO
LINE LEADS

		TOLERANCES UNLESS SPECIFIED	
		DEC.	INCHES
		.X	±.1
		.XX	±.01
		.XXX	±.005
		.XXXX	±.0005
NO.	REVISION	BY & DATE	CHK ANG ±1/2°



TITLE: EXTERNAL WIRING DIAGRAM
TYPE "T" W/O PROT W/TERM. BLOCK

MAT'L:

FINISH:

DRAWN	JGO 3/10/04
CHK	
APPD	
SCALE	3=4
REF	
FMF	
PREV	

THIS DRAWING IN DESIGN AND DETAIL IS OUR PROPERTY AND MUST NOT BE USED EXCEPT IN CONNECTION WITH OUR WORK ALL RIGHTS OF DESIGN AND INVENTION ARE RESERVED THIS IS AN ELECTRONICALLY GENERATED DOCUMENT - DO NOT SCALE THIS PRINT		RFP	CAD FILE	00546801ME	SIZE	DRAWING NO.	REV.
		DIST			A	005468-01ME	

