

PRODUCT INFORMATION PACKET

marathon[®]
Motors

Model No: 056T8O15531
Catalog No: X506-P
0.75,900,OPAO,56Y,3/60/208-230/460
Condenser Fans



Regal and Marathon are trademarks of Regal Beloit Corporation or one of its affiliated companies.
©2018 Regal Beloit Corporation, All Rights Reserved. MC017097E

REGAL[®]



Nameplate Specifications

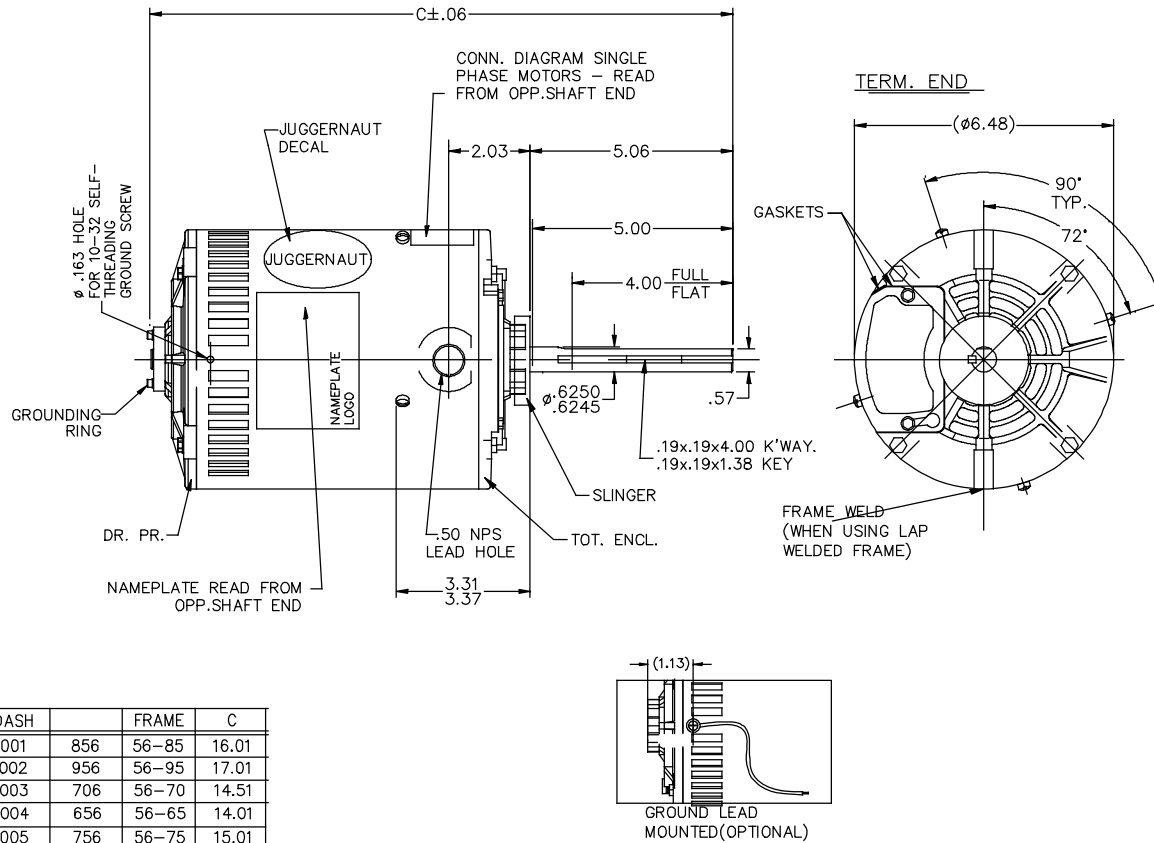
Output HP	0.75 Hp	Output KW	0.56 kW
Frequency	60 Hz	Voltage	208-230/460 V
Current	3.6-3.6/1.8 A	Speed	850 rpm
Service Factor	1	Phase	3
Efficiency	75.5 %	Duty	Continuous
Insulation Class	H	Design Code	B
KVA Code	J	Frame	56Z
Enclosure	Open Air Over	Overload Protector	Automatic Lock Rotor Only
Ambient Temperature	70 °C	Drive End Bearing Size	6203
Opp Drive End Bearing Size	6203	UL	Recognized
CSA	Y	CE	N
IP Code	10		

Technical Specifications

Electrical Type	Squirrel Cage Induction Run	Starting Method	Across The Line
Poles	8	Rotation	Reversible
Mounting	Round Belly Band	Motor Orientation	HORIZONTAL
Drive End Bearing	BALL	Opp Drive End Bearing	BALL
Frame Material	Rolled Steel	Shaft Type	Single Special Extension
Overall Length	18.01 in	Frame Length	8.66 in
Shaft Diameter	0.625 in	Shaft Extension	5.06 in
Assembly/Box Mounting	F1 ONLY		
Outline Drawing	607-0314-001	Connection Diagram	A-102007-1

This is an uncontrolled document once printed or downloaded and is subject to change without notice. Date Created: 10/30/2018

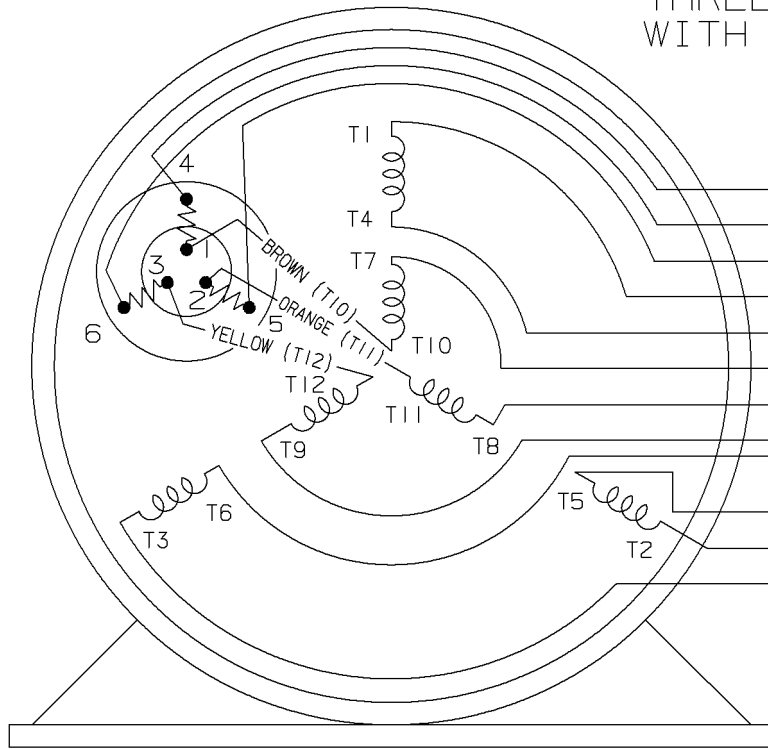
607-0314



DASH	FRAME	C
001	856 56-85	16.01
002	956 56-95	17.01
003	706 56-70	14.51
004	656 56-65	14.01
005	756 56-75	15.01

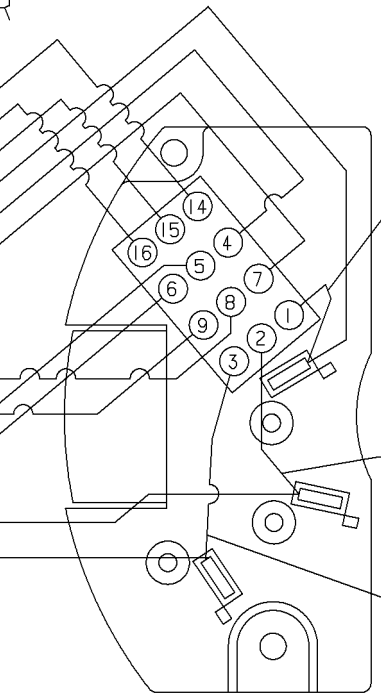
DASH		FRAME	C	TOLERANCES UNLESS SPECIFIED		REGAL™ Regal Beloit America, Inc.	DRAWN	EL 8/21/2017	
NO.	REVISION	BY & DATE	CHK	ANG	FINISH		CHK	SCALE	3=8
				DEC.	INCHES	TITLE	APPD	REF	
				.X	±.1	OUTLINE			
				.XX	±.03				
				.XXX	±.005				
F	ADDED DECAL JUGGERNAUT	LST 10/25/2018		.XXXX	±.0005	MAT'L.			
					±7'30"				
				RFP		CAD FILE 607-0314	SIZE	DRAWING NO.	PAGE OF
				DIST	WP		A	607-0314	REV.
THIS DRAWING IN DESIGN AND DETAIL IS OUR PROPERTY AND MUST NOT BE USED EXCEPT IN CONNECTION WITH OUR WORK ALL RIGHTS OF DESIGN AND INVENTION ARE RESERVED THIS IS AN ELECTRONICALLY GENERATED DOCUMENT - DO NOT SCALE THIS PRINT									F

THREE PHASE-DUAL VOLTAGE WITH THERMAL PROTECTOR



VIEW OF TERMINAL END

- (T14) BROWN
- (T16) YELLOW
- (T15) ORANGE
- (T1) RED
- T4
- T7
- T8
- T9
- T6
- T5
- (T2) BLUE
- (T3) BLACK

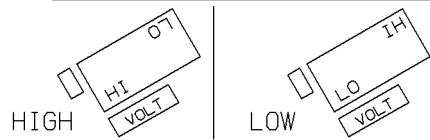


VIEWING BOTTOM OF TERMINAL BOARD

RED
 NUMBERS SHOWN ON TERM BOARD ARE FOR REF. ONLY.
 (NUMBERS DO NOT APPEAR ON PARTS.)

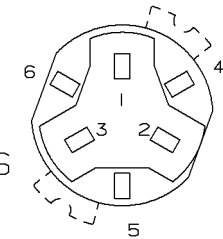
BLUE
 BLACK

TO CHANGE VOLTAGE, PULL PLUG, ROTATE 180° AND REINSERT



CONNECT LINES TO L1, L2 & L3

NOTE:
 ACTUAL PROTECTORS TERMINAL LOCATIONS FOR LEAD CONNECTIONS



4	06-26-1995	1,2,3 WERE SWITCHED WITH 4,5,6 ON THE TERMINAL CN 20644	BR	✓ MAX. SURFACE ROUGHNESS UNLESS NOTED OTHERWISE	UNLESS OTHERWISE SPECIFIED DIMENSIONS ARE IN INCHES TOL. ON XX±.02 XXX±.005 XXXX±.0005 ANGLES± 7°30"			
3	05-18-1994	ADDED ACTUAL PROTECTOR VIEW CN 17481	KL	MATL SPEC				DRAWN BY RM 07-20-1993
2	07-20-1993	REDRAWN ON CADD, ORIGINAL LOST. REV. VCD TO COLORED LEADS CNI3741	RM	FINISH				CHKD BY ET 07-20-1993
REV	DATE	CHANGE	NAME	REFERENCE DRW.	WAUSAU, WISCONSIN 54401			
				PART NAME CONNECTION DIAGRAM 3Ø - DUAL VOLTAGE MOTOR	DRWG NO A- 102007-1			

SHOP BOOK | PURCHASED | DISTRIBUTION - WA - LB - WP - LM - BR | CADD FILE NO. | 102007-1