

PRODUCT INFORMATION PACKET

marathon[®]
Motors

Model No: 056T34WD5301
Catalog No: N453
1,3600,TEFC,56C,3/60/208-230/460
Washdown Duty



Regal and Marathon are trademarks of Regal Beloit Corporation or one of its affiliated companies.
©2018 Regal Beloit Corporation, All Rights Reserved. MC017097E

REGAL[®]



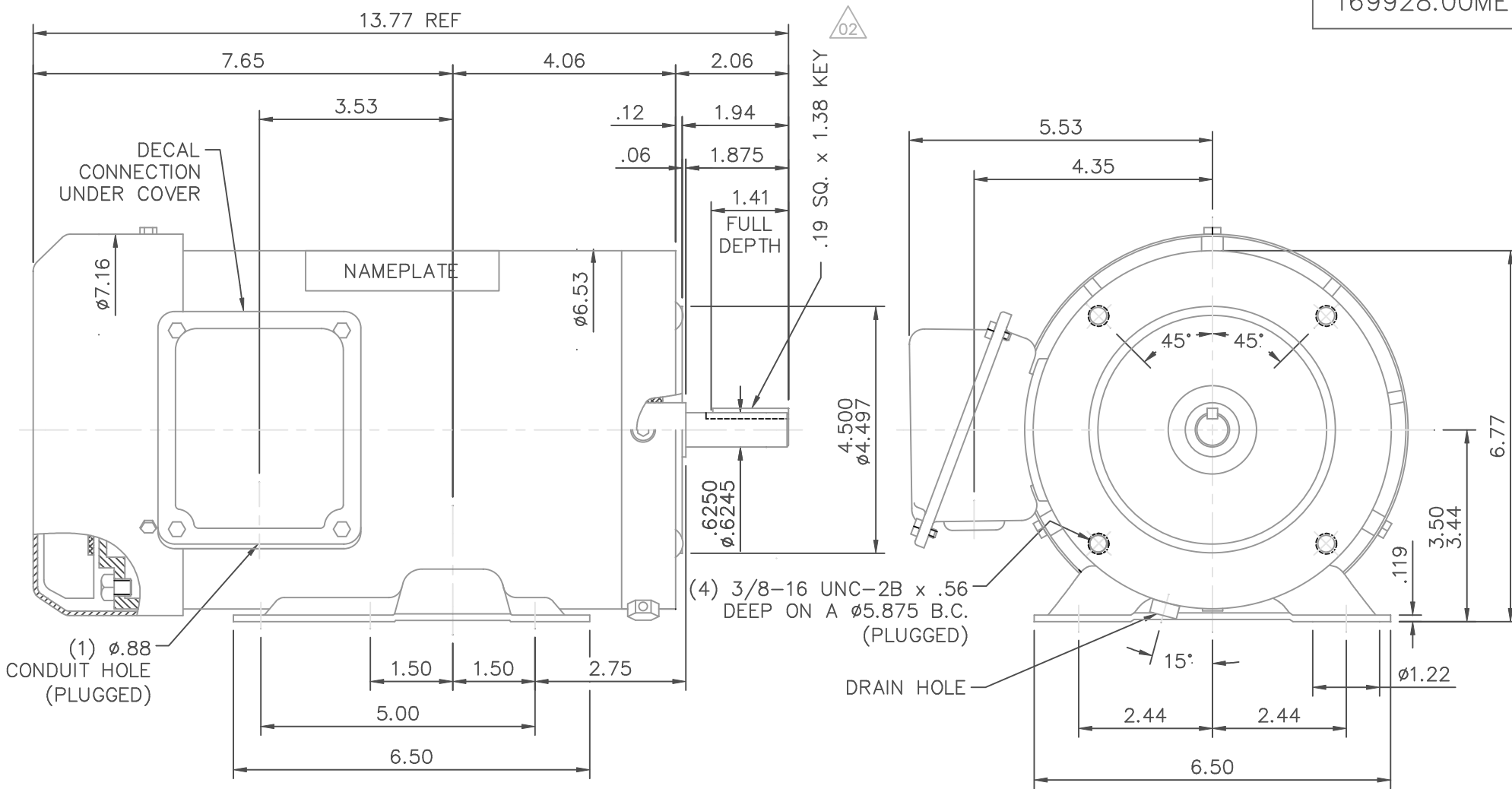
Nameplate Specifications

Output HP	1 Hp	Output KW	0.75 kW
Frequency	60 Hz	Voltage	208-230/460 V
Current	2.9-2.6/1.3 A	Speed	3450 rpm
Service Factor	1.15	Phase	3
Efficiency	80 %	Duty	Continuous
Insulation Class	F	Design Code	B
KVA Code	J	Frame	56HC
Enclosure	Totally Enclosed Fan Cooled	Overload Protector	No
Ambient Temperature	40 °C	Drive End Bearing Size	6205
Opp Drive End Bearing Size	6205	UL	Recognized
CSA	Y	CE	Y
IP Code	55		

Technical Specifications


Electrical Type	Squirrel Cage Induction Run	Starting Method	Across The Line
Poles	2	Rotation	Reversible
Mounting	Rigid base	Motor Orientation	Horizontal
Drive End Bearing	Ball	Opp Drive End Bearing	Ball
Frame Material	Stainless Steel	Shaft Type	T
Overall Length	13.77 in	Shaft Diameter	0.625 in
Shaft Extension	2.06 in	Assembly/Box Mounting	F1 Only
Outline Drawing	16992800ME	Connection Diagram	00501001ME

This is an uncontrolled document once printed or downloaded and is subject to change without notice. Date Created: 06/29/2018

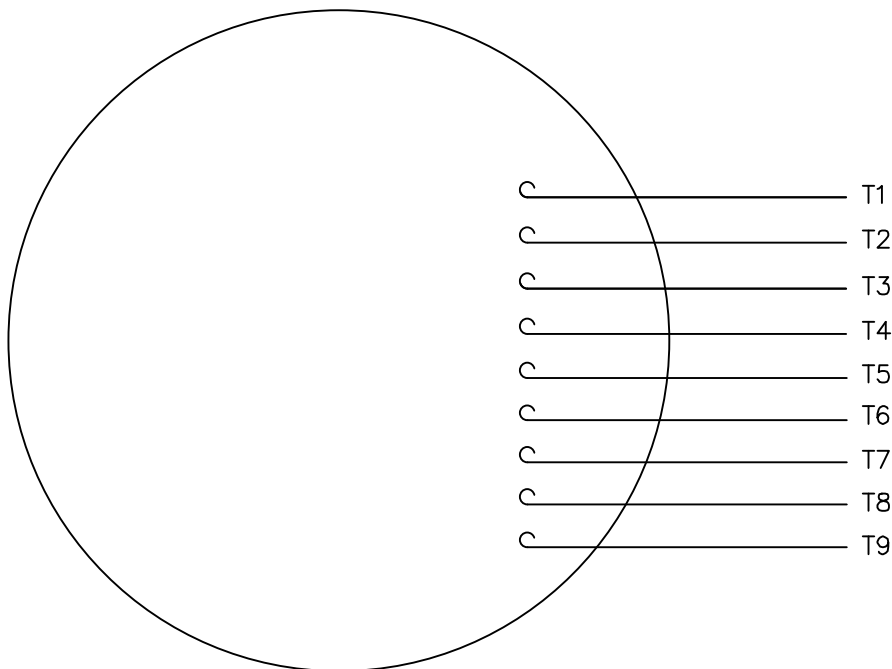


MAXIMUM FACE RUNOUT TO BE .004 T.I.R.
 MAXIMUM PILOT ECCENTRICITY .004 T.I.R.
 PERMISSIBLE SHAFT RUNOUT .002 T.I.R.

GASKETS THROUGHOUT

				TOLERANCES UNLESS SPECIFIED			DRAWN MGM 04/09/03			
				DEC.	INCHES		CHK RDW 04/09/03			
				.X	±.1		APPD			
				.XX	±.03		SCALE 3=8			
02	UPDATED SHAFT EXT DIMS	RDW 4/26/04	SW	.XXX	±.005	TITLE	OUTLINE - 56HC FRAME TEFC - RIGID "C"			
01	CONDUIT HOLE WAS 1/2-14 NPT, DIM .157 WAS .12	SW 10/7/2003	RDW	.XXXX	±.0005	MAT'L.	REF			
NO.	REVISION	BY & DATE	CHK	ANG	±1/2'	FINISH	FMF			
THIS DRAWING IN DESIGN AND DETAIL IS OUR PROPERTY AND MUST NOT BE USED EXCEPT IN CONNECTION WITH OUR WORK ALL RIGHTS OF DESIGN AND INVENTION ARE RESERVED THIS IS AN ELECTRONICALLY GENERATED DOCUMENT - DO NOT SCALE THIS PRINT				RFP		CAD FILE	16992800ME	SIZE	DRAWING NO.	REV.
				DIST				A	169928.00ME	01

VIEW FROM OUTSIDE OF MOTOR AT SWITCH END.



VOLTAGE	L1	L2	L3	JOIN & INSULATE
HIGH	T1	T2	T3	(T4,T7) (T5,T8) (T6,T9)
LOW	T1,T7	T2,T8	T3,T9	T4,T5,T6

TOLERANCES UNLESS SPECIFIED		DRAWN RDW 04/12/02		MARATHON ELECTRIC		CHK
DEC.	INCHES	TITLE		DECAL - 004014		APPD
.X	±.1	EXTERNAL WIRING DIAGRAM		3 PHASE W/O PROTECTOR		SCALE 1=1
.XX	±.01	MAT'L.		FINISH		REF FIG.2-51
.XXX	±.005	RFP 04/12/02		CAD FILE 00501001ME		FMF
.XXXX	±.0005	DIST		SIZE A		PREV
NO.	REVISION	BY & DATE	CHK	ANG	±1/2"	DRAWING NO. 005010-01ME
THIS DRAWING IN DESIGN AND DETAIL IS OUR PROPERTY AND MUST NOT BE USED EXCEPT IN CONNECTION WITH OUR WORK ALL RIGHTS OF DESIGN AND INVENTION ARE RESERVED THIS IS AN ELECTRONICALLY GENERATED DOCUMENT - DO NOT SCALE THIS PRINT				DRAWING NO. 005010-01ME		REV.