

PRODUCT INFORMATION PACKET

marathon[®]
Motors

Model No: 056T34W99021
Catalog No: N224A
1 1/2,3600,TEFC,56J,3/60/230/460
Jet Pump



Regal and Marathon are trademarks of Regal Beloit Corporation or one of its affiliated companies.
©2018 Regal Beloit Corporation, All Rights Reserved. MC017097E

REGAL[®]



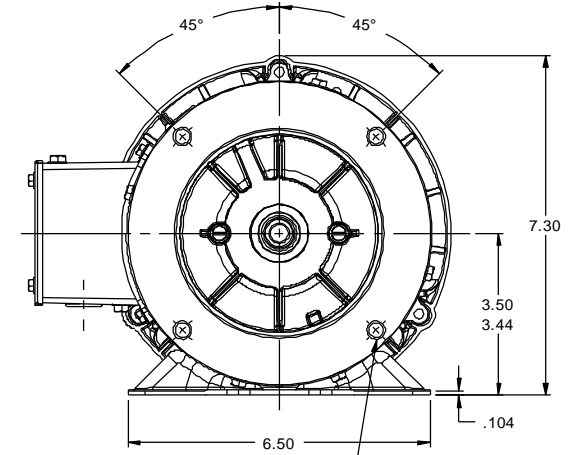
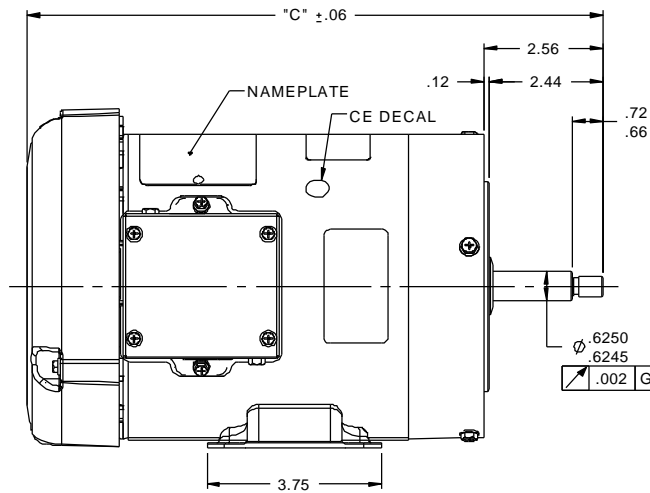
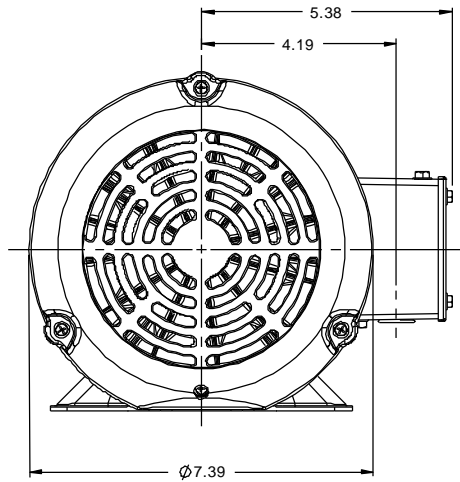
Nameplate Specifications

Output HP	1.50 Hp	Output KW	1.1 kW
Frequency	60 Hz	Voltage	230/460 V
Current	4.0/2.0 A	Speed	3490 rpm
Service Factor	1.15	Phase	3
Efficiency	84 %	Duty	Continuous
Insulation Class	F	Design Code	B
KVA Code	M	Frame	56J
Enclosure	Totally Enclosed Fan Cooled	Overload Protector	No
Ambient Temperature	40 °C	Drive End Bearing Size	6205
Opp Drive End Bearing Size	6203	UL	Recognized
CSA	Y	CE	Y
IP Code	55		

Technical Specifications

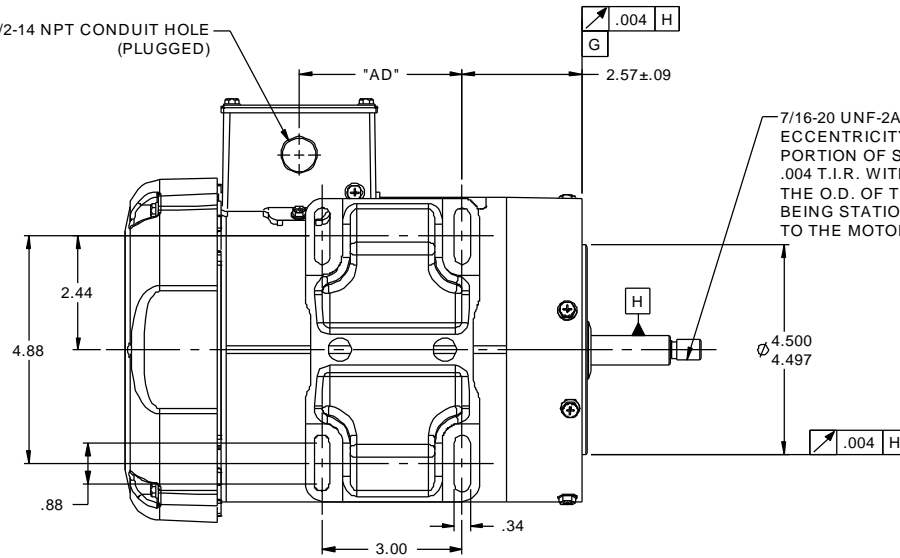
Electrical Type	Squirrel Cage Induction Run	Starting Method	Across The Line
Poles	2	Rotation	Reversible
Mounting	Rigid base	Motor Orientation	HORIZONTAL
Drive End Bearing	BALL	Opp Drive End Bearing	BALL
Frame Material	Rolled Steel	Shaft Type	J
Overall Length	12.87 in	Frame Length	6.50 in
Shaft Diameter	0.625 in	Shaft Extension	2.56 in
Assembly/Box Mounting	F1 ONLY		
Outline Drawing	607-0014ME-650	Connection Diagram	005010.01

This is an uncontrolled document once printed or downloaded and is subject to change without notice. Date Created: 10/30/2018



3/8-16 UNC-2B x .56 DEEP
(4) REQ'D. ON A Ø5.875 B.C.

(1) 1/2-14 NPT CONDUIT HOLE
(PLUGGED)

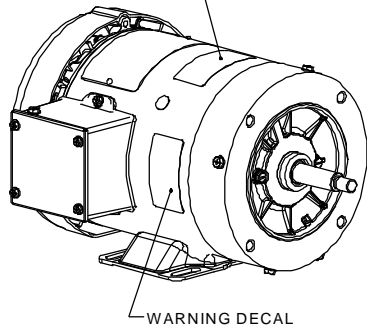


WASHGUARD MOTOR

- SPECIAL FEATURES:
1. SHAFT SEALS & V-RING.
 2. PLUGGED DRAIN HOLES IN ENDBELLS & CONDUIT BOX.
 3. BUNA-N GASKETS THROUGHOUT.
 4. STAINLESS STEEL SHAFT, HARDWARE & NAMEPLATE.

DASH NO.	"C"	"AD"
450	10.87	2.00
500	11.37	2.50
550	11.87	3.00
600	12.37	3.50
650	12.87	4.00
700	13.37	4.50

DRAIN HOLE
DECAL

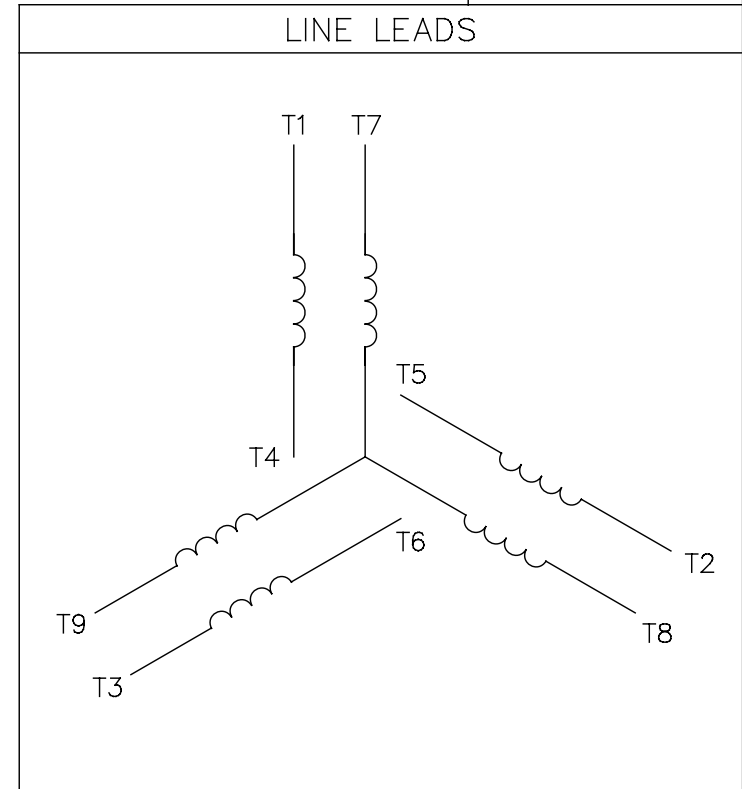


WARNING DECAL

TOLERANCES UNLESS SPECIFIED			DRAWN UD 12/27/12
DEC	INCHES		CHK AB 12/27/12
X	±.1		APPR
XX	±.03		SCALE 3:8
XXX	±.005	TITLE OUTLINE - 56J FRAME	REF 607-0014
XXXX	±.0005	TEFC - RIGID "C" FACE	FMF 56TB4W99003
		MAT'L WASHGUARD - JET PUMP	PAGE OF
NO	REVISION	BY & DATE	FINISH
		CHK LANG ±1/2°	PREV
THIRD ANGLE PROJECTION		RFP	SIZE B
		NETWORK FILE NAME 607-0014ME	DRAWING NO 607-0014ME
			REV

005010-01

VIEW FROM OUTSIDE OF MOTOR AT SWITCH END.



VOLTAGE	L1	L2	L3	JOIN & INSULATE
HIGH	T1	T2	T3	(T4,T7) (T5,T8) (T6,T9)
LOW	T1,T7	T2,T8	T3,T9	T4,T5,T6

				TOLERANCES UNLESS SPECIFIED		REGAL ™ Regal Beloit America, Inc.		DRAWN RDW 04/12/02			
				DEC.	INCHES			CHK			
				.X	±.1			APPD			
				.XX	±.01			SCALE 1=1			
				.XXX	±.005	TITLE		REF FIG.2-51			
A	UPDATED TO REGAL LOGO	SAJ 06/26/15	AJY	.XXXX	±.0005	MAT'L.		FMF			
NO.	REVISION	BY & DATE	CHK	ANG	±1/2"	FINISH		PREV			
THIS DRAWING IN DESIGN AND DETAIL IS OUR PROPERTY AND MUST NOT BE USED EXCEPT IN CONNECTION WITH OUR WORK ALL RIGHTS OF DESIGN AND INVENTION ARE RESERVED THIS IS AN ELECTRONICALLY GENERATED DOCUMENT - DO NOT SCALE THIS PRINT				RFP	04/12/02	CAD FILE		00501001	SIZE	DRAWING NO.	REV.
				DIST		BRF-NLV		A	005010-01	A	



P.O. BOX 8003
WAUSAU, WI 54401-8003
PH. 715-675-3311

DATA VOLTS: 460

CERTIFICATION DATA SHEET

CUSTOMER P.O. #:
 ORDER #: 00501001
 REFERENCE MODEL #: 56T34W99021
 CONN. DIAGRAM: 607-0014ME-6S0
 CAT #: N224A
 OUTLINE: T632173 FR 3
 CUSTOMER PART #:
 WINDING: MOUNTING: F1 ONLY
 SPEED:
 TYPICAL MOTOR PERFORMANCE DATA

HP	KW	SYNC RPM	FL RPM	FRAME	ENCLOSURE	TYPE	KVA CODE	DESIGN
1.5	1.1	3600	3500	56J	TEFC	TEFR	M	B

PH	HZ	VOLTS	AMPS	START TYPE	DUTY	INSL	S.F.	AMB	ELEV.
3	60/50	230/460#190/380	4.05/2.05&3.6/1.8	ACROSS-THE LINE	CONT	F	1.15	40	3300
	F.L. EFF	84.0	3/4 LD EFF	81.9	1/2 LD EFF	78.9	GTD EFF	ELECT. TYPE	
	F.L. PF	83.6	3/4 LD PF	76.5	1/2 LD PF	64.7	0.0	SQ CAGE IND RUN	

F.L. TORQUE	LR AMPS @ 460 V	L.R. TORQUE	B.D. TORQUE	F.L. RISE (°C)		
2.25 LB-FT	20.1	8.9 LB-FT	10.7 LB-FT	476%		
@ 3 FT.	POWER	ROTOR WK ²	MAX. LOAD WK ²	SAFE STALL TIME	START/SHOUR	MOTOR WGT
0 DBA	9 DBA	0.06 LB-FT ²	0.1 LB-FT ²	10 SEC.	0	0 LB.

*** SUPPLEMENTAL INFORMATION ***

DE BRACKET TYPE	ODE BRACKET TYPE	MOUNT TYPE	MOTOR ORIENTATION	SEVERE DUTY	HAZARDOUS LOCATION	DRIP COVER	SCREENS	PAINT
C-FACE	STANDARD	RIGID	HORIZONTAL	NO	NONE	NO	NONE	HTE - LEESSON (EPO)

BEARINGS	GREASE	SHAFT TYPE	SPECIAL DE	SPECIAL ODE	SHAFT MATERIAL	FRAME MATERIAL
DE BALL 6203	POLYREX EM	JET PUMP	NONE	NONE	303 STAINLESS (C-501)	ROLLED STEEL

THERMOSTATS	PROTECTORS	WDG RTD's	BRG RTD's	THERMISTORS	CONTROL	SPACE HEATERS
NONE	NOT	NONE	NONE	NONE	FALSE	NA

R1 (ohms/ph)	R2 (ohms/ph)	X1 (ohms/ph)	X2 (ohms/ph)	Xm (ohms/ph)	VIBRATION (in/sec)	FLOAT
0	0	0	0	0	0.150	ODE

* N		INVERTER TORQUE: NONE	
O	INV. HP SPEED RANGE: NONE		
T	ENCODER: NONE		
E	BRAKE: NONE		
S	FT-LB: NONE		
	VOLTAGE: NONE		
	HZ: NONE		

PREPARED BY: FAREEDA DUDEKULA
 DATE: 9/17/2018
 UL: V:INS, CONST UL REC

Data Sheet

56134W99021



Submital

Data @ 460 V

Date: 9/17/2018

Customer: _____

Attention: _____

Submitted by: FAREEDA DUDEKULA

Motor Load Data

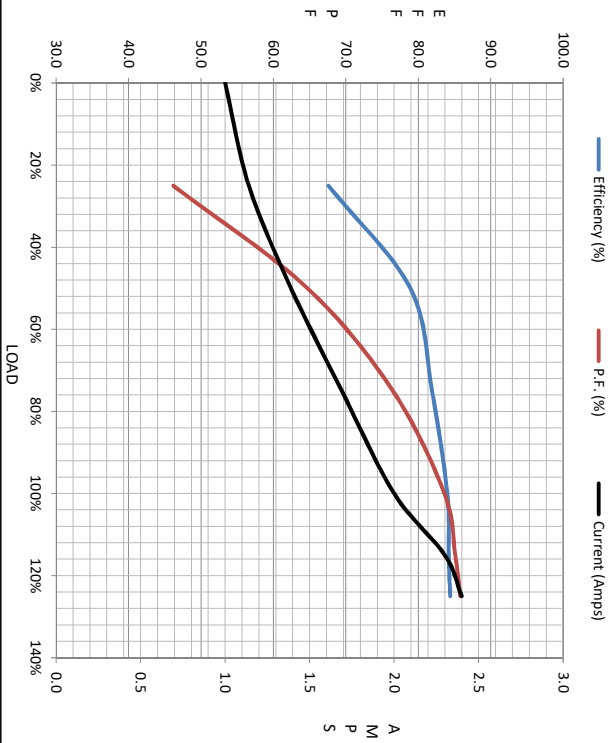
Load	0%	25%	50%	75%	100%	115%	125%	LR
Current (Amps)	1.00	1.14	1.39	1.69	2.00	2.30	2.40	20.1
Torque (ft-lb)	0.00	0.56	1.12	1.68	2.25	2.65	2.80	8.9
RPM	3600	3570	3549	3535	3500	3,488	3480	0
Efficiency (%)		67.6	73.9	81.9	84.0	84.2	84.4	
P.F. (%)	12.6	46.2	64.7	76.5	83.6	85.1	85.8	0.0

Motor Speed Data

	LR	Pull-Up	BD	Rated	Idle
Speed (RPM)	0	220	2200	3600	3600
Current (Amps)	20.1	18.5	16.0	2.00	1.00
Torque (ft-lb)	8.9	8.6	10.7	2.25	0.00

Information Block

HP	1.5				
Sync. RPM	3600				
Frame	1401B2TFC080				
Enclosure	TEFC				
Construction	TFR				
Voltage	230/460#190/380 V				
Frequency	60 Hz				
Design	A				
LR Code letter	M				
Service Factor	1.15				
Temp Rise @ FL	50 °C				
Duty	CONT				
Ambient	40 °C				
Elevation	1,000 feet				
Motor/Shaft Wk ²	0.06 Lb-Ft ²				
Ret Wdg	T692173 FR				
Sound Pressure @ 1M	0 DBA				
VFD Rating	NONE				
Outline Dwg	607-0014ME-550				
Conn. Diag	005010.01				
Additional Specifications:					
0					
0					
	EQUIV CKT (OHMS / PHASE)				
	R1	R2	X1	X2	Xm
	0.0000	0.0000	0.0000	0.0000	0.0000



Speed - Torque Curve

