

PRODUCT INFORMATION PACKET

marathon[®]
Motors

Model No: 056T34VD5301
Catalog No: N450
1/3,3600,TENV,56C,3/60/208-230/460
Washdown Duty



Regal and Marathon are trademarks of Regal Beloit Corporation or one of its affiliated companies.
©2018 Regal Beloit Corporation, All Rights Reserved. MC017097E

REGAL[®]



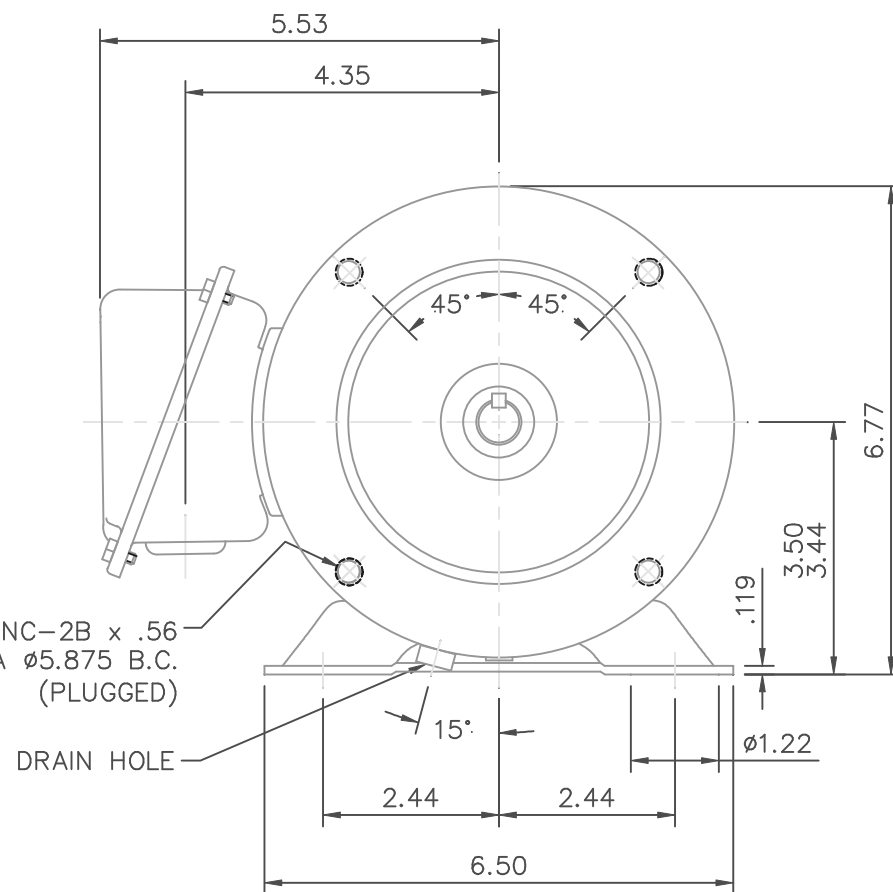
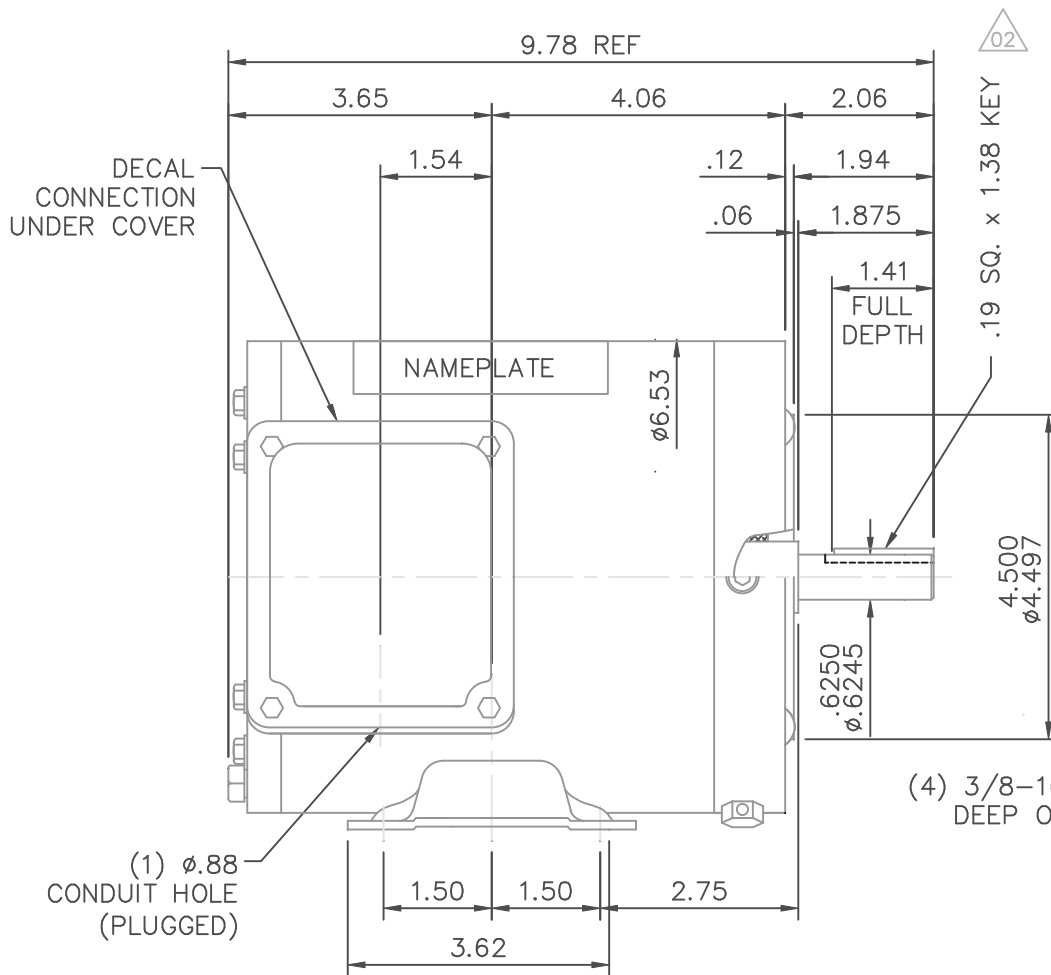
Nameplate Specifications

Output HP	0.33 Hp	Output KW	0.25 kW
Frequency	60 Hz	Voltage	208-230/460 V
Current	1.1-1.0/0.50 A	Speed	3450 rpm
Service Factor	1.15	Phase	3
Efficiency	74 %	Duty	Continuous
Insulation Class	F	Design Code	B
KVA Code	J	Frame	56C
Enclosure	Totally Enclosed Non Ventilated	Overload Protector	No
Ambient Temperature	40 °C	Drive End Bearing Size	6205
Opp Drive End Bearing Size	6205	UL	Recognized
CSA	Y	CE	Y
IP Code	55		

Technical Specifications

Electrical Type	Squirrel Cage Induction Run	Starting Method	Across The Line
Poles	2	Rotation	Reversible
Mounting	Rigid base	Motor Orientation	Horizontal
Drive End Bearing	Ball	Opp Drive End Bearing	Ball
Frame Material	Stainless Steel	Shaft Type	NEMA 56
Overall Length	9.78 in	Shaft Diameter	0.625 in
Shaft Extension	2.06 in	Assembly/Box Mounting	F1 Only
Outline Drawing	16992900ME	Connection Diagram	00501001ME

This is an uncontrolled document once printed or downloaded and is subject to change without notice. Date Created: 06/29/2018



MAXIMUM FACE RUNOUT TO BE .004 T.I.R.
 MAXIMUM PILOT ECCENTRICITY .004 T.I.R.
 PERMISSIBLE SHAFT RUNOUT .002 T.I.R.

GASKETS THROUGHOUT

				TOLERANCES UNLESS SPECIFIED		MARATHON ELECTRIC	DRAWN MGM 04/10/03	
				DEC.	INCHES		CHK RDW 04/10/03	APPD
				.X	$\pm .1$	TITLE OUTLINE - 56C FRAME TENV - RIGID "C"	SCALE	3=8
				.XX	$\pm .03$		REF	
02	UPDATED SHAFT EXT DIMS	RDW 4/26/04	SW	.XXX	$\pm .005$	MAT'L.	FMF	
01	CONDUIT HOLE WAS 1/2-14 NPT, DIM .157 WAS .12	SW 10/7/2003	RDW	.XXXX	$\pm .0005$		FINISH	PREV
NO.	REVISION	BY & DATE	CHK	ANG	$\pm 1/2'$	CAD FILE	DRAWING NO.	
			RFP			16992900ME	A	169929.00ME
			DIST					REV. 01

THIS DRAWING IN DESIGN AND DETAIL IS OUR PROPERTY AND MUST NOT BE USED EXCEPT IN CONNECTION WITH OUR WORK ALL RIGHTS OF DESIGN AND INVENTION ARE RESERVED THIS IS AN ELECTRONICALLY GENERATED DOCUMENT - DO NOT SCALE THIS PRINT

VIEW FROM OUTSIDE OF MOTOR AT SWITCH END.



VOLTAGE	L1	L2	L3	JOIN & INSULATE
HIGH	T1	T2	T3	(T4,T7) (T5,T8) (T6,T9)
LOW	T1,T7	T2,T8	T3,T9	T4,T5,T6

TOLERANCES UNLESS SPECIFIED		DRAWN RDW 04/12/02		MARATHON ELECTRIC		CHK		
DEC.	INCHES			TITLE		APPD		
.X	±.1			EXTERNAL WIRING DIAGRAM		SCALE 1=1		
.XX	±.01			3 PHASE W/O PROTECTOR		REF FIG.2-51		
.XXX	±.005			MAT'L. DECAL - 004014		FMF		
.XXXX	±.0005			FINISH		PREV		
NO.	REVISION	BY & DATE	CHK	ANG	±1/2"	SIZE	DRAWING NO.	REV.
			RFP	04/12/02		A	005010-01ME	
			DIST					

THIS DRAWING IN DESIGN AND DETAIL IS OUR PROPERTY AND MUST NOT BE USED EXCEPT IN CONNECTION WITH OUR WORK ALL RIGHTS OF DESIGN AND INVENTION ARE RESERVED THIS IS AN ELECTRONICALLY GENERATED DOCUMENT - DO NOT SCALE THIS PRINT

CERTIFICATION DATA SHEET

Model#: 56T34VD5301 A WINDING#: QT6324 NR 3
 CONN. DIAGRAM: 00501001ME ASSEMBLY: F1 ONLY
 OUTLINE: 16992900ME

TYPICAL MOTOR PERFORMANCE DATA

HP	KW	SYNC. RPM	F.L. RPM	FRAME	ENCLOSURE	KVA CODE	DESIGN
1/3&1/4	0.25&0.19	3600	3450&2850	56C	TENV	J	B

PH	Hz	VOLTS	FL AMPS	START TYPE	DUTY	INSL	S.F	AMB°C	ELEVATION
3	60/50	208- 230/460#190/ 380	1.1-1/.5&.9/.45	ACROSS THE LINE	CONTINUOU S	F5	1.15/1.15	40	3300

FULL LOAD EFF: 74	3/4 LOAD EFF: 66.5	1/2 LOAD EFF: 60.2	GTD. EFF	ELEC. TYPE	NO LOAD AMPS
FULL LOAD PF: 84.7	3/4 LOAD PF: 81.1	1/2 LOAD PF: 74.2	-	SQ CAGE IND RUN	.6 / .3

F.L. TORQUE	LOCKED ROTOR AMPS	L.R. TORQUE	B.D. TORQUE	F.L. RISE°C
8.2 LB-FT	6.1 / 3.1	19.7 LB-FT 246	24 LB-FT 300	-

SOUND PRESSURE @ 3 FT.	SOUND POWER	ROTOR WK^2	MAX. WK^2	SAFE STALL TIME	STARTS /HOUR	APPROX. MOTOR WGT
- dBA	- dBA	0.028 LB-FT^2	- LB-FT^2	- SEC.	-	- LBS.

*** SUPPLEMENTAL INFORMATION ***

DE BRACKET TYPE	ODE BRACKET TYPE	MOUNT TYPE	ORIENTATION	SEVERE DUTY	HAZARDOUS LOCATION	DRIP COVER	SCREENS	PAINT
C-FACE	STANDARD	RIGID	HORIZONTAL	FALSE	NONE	FALSE	NONE	NO PAINT

BEARINGS		GREASE	SHAFT TYPE	SPECIAL DE	SPECIAL ODE	SHAFT MATERIAL	FRAME MATERIAL
DE	OPE						
BALL	BALL	POLYREX EM	STANDARD 56	NONE	NONE	303 STAINLESS (C-501)	STAINLESS STEEL
6205	6205						

THERMO-PROTECTORS				THERMISTORS	CONTROL	SPACE /n HEATERS
THERMOSTATS	PROTECTORS	WDG RTDs	BRG RTDs			
NONE	NOT	NONE	NONE	NONE	FALSE	NONE VOLTS

If Inverter equals NONE, contact factory for further information

INVERTER TORQUE: NONE
INV. HP SPEED RANGE: NONE
ENCODER: NONE
NONE NONE
NONE NONE PPR
BRAKE: NONE NONE
NONE P/N NONE
NONE NONE
NONE FT-LB NONE V NONE Hz

*
N
O
T
E
S
*

DATE: 06/28/2017 02:35:33 AM
 FORM 3531 REV.3 02/07/99
 ** Subject to change without notice.