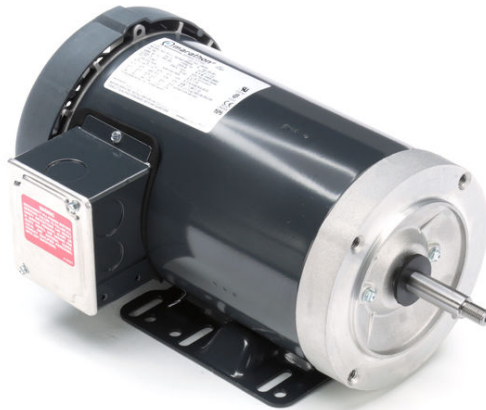


PRODUCT INFORMATION PACKET

marathon[®]
Motors

Model No: 056T34F99031
Catalog No: KG236A
1 1/2,3600,TEFC,56J,3/60/230/460
Jet Pump



Regal and Marathon are trademarks of Regal Beloit Corporation or one of its affiliated companies.
©2018 Regal Beloit Corporation, All Rights Reserved. MC017097E

REGAL[®]



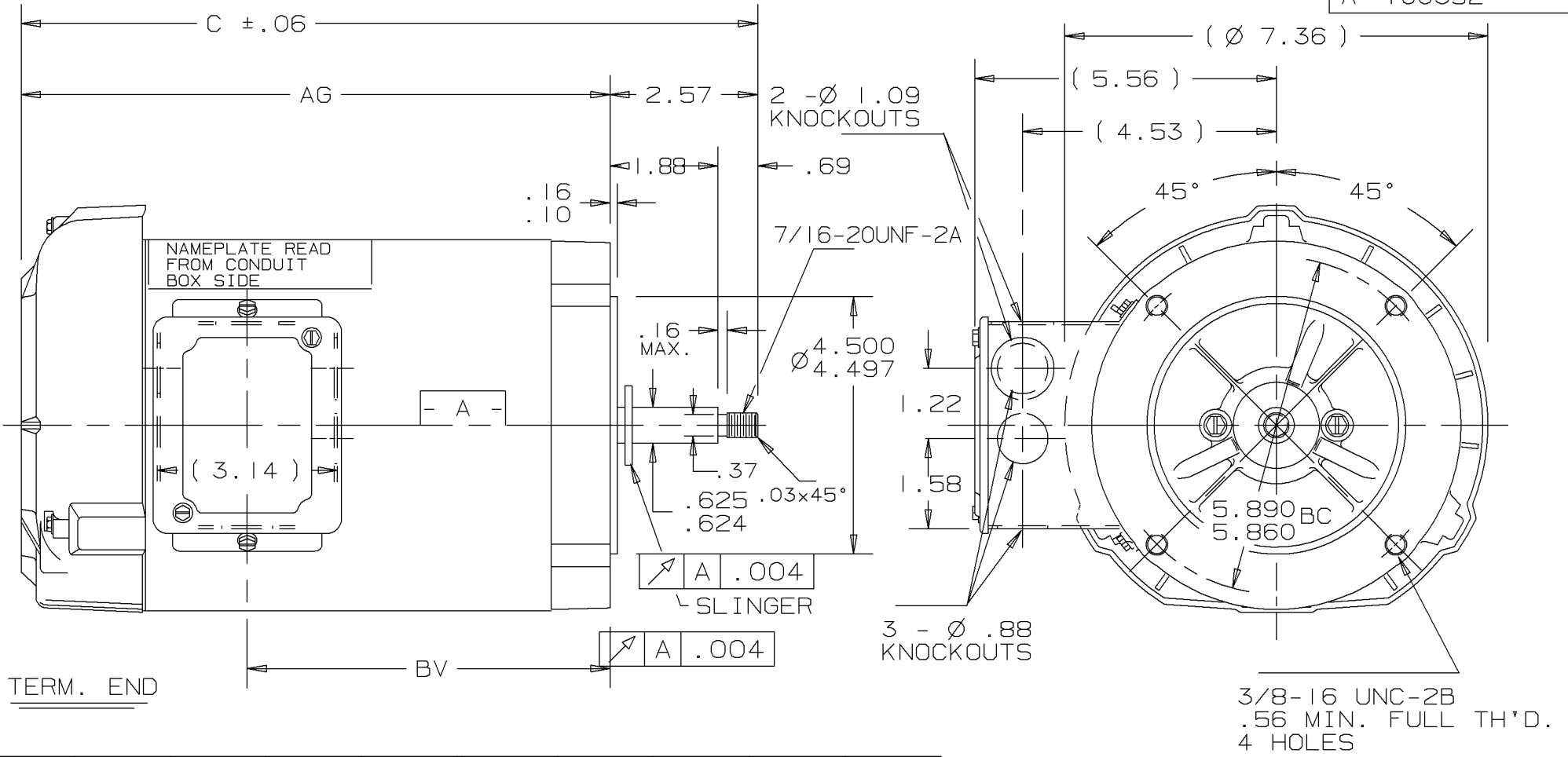
Nameplate Specifications

Output HP	1.50 Hp	Output KW	1.1 kW
Frequency	60 Hz	Voltage	230/460 V
Current	4.0/2.0 A	Speed	3450 rpm
Service Factor	1.3	Phase	3
Efficiency	84 %	Duty	Continuous
Insulation Class	B	Design Code	B
KVA Code	M	Frame	56J
Enclosure	Totally Enclosed Fan Cooled	Overload Protector	No
Ambient Temperature	40 °C	Drive End Bearing Size	6205
Opp Drive End Bearing Size	6203	UL	Recognized
CSA	Y	CE	Y
IP Code	43		

Technical Specifications

Electrical Type	Squirrel Cage Induction Run	Starting Method	Across The Line
Poles	2	Rotation	Reversible
Mounting	Round	Motor Orientation	HORIZONTAL
Drive End Bearing	BALL	Opp Drive End Bearing	BALL
Frame Material	Rolled Steel	Shaft Type	J
Overall Length	13.82 in	Frame Length	8.06 in
Shaft Diameter	0.625 in	Shaft Extension	2.57 in
Assembly/Box Mounting	F1 ONLY		
Outline Drawing	A-100352-806	Connection Diagram	EE7308

This is an uncontrolled document once printed or downloaded and is subject to change without notice. Date Created: 10/30/2018



DASH	FR.	C	AG	BV	DASH	FR.	C	AG	BV
606	56-60	11.82	9.25	5.31	806	56-80	13.82	11.25	7.31
656	"-65	12.32	9.75	5.81	856	"-85	14.32	11.75	7.81
706	"-70	12.82	10.25	6.31	906	"-90	14.82	12.25	8.31
756	"-75	13.32	10.75	6.81	956	"-95	15.32	12.75	8.81

NOTES:
CONDUIT BOX CAN BE ROTATED 180°

		125 SURFACE ROUGHNESS UNLESS NOTED OTHERWISE		UNLESS OTHERWISE SPECIFIED DIMENSIONS ARE IN INCHES TOL ON XX±.03 XXX±.005 XXXX±.0005 ANGLES± 1°	
2		3-20-90 REISSUE SLINGER ADDED		GK	
1		10-2-89 NEW DRAWING		GK	
REV		DATE		CHANGE	
NAME		PART NAME OUTLINE		56 FR - BB - TEFC - C-FACE - 3Ø	
		MATERIAL SPEC		NEMA JET PUMP	
		FINISH		MARATHON ELECTRIC WAUSAU, WISCONSIN 54401	
		DRAWN BY		GK	
		CHKD BY			
		APPD BY			
		DRWG NO		A- 100352	



NO.	REVISION	BY & DATE	CHK	ANG	TOLERANCES UNLESS SPECIFIED		FINISH	DRAWN RM 11/20/1990				
					DEC.	INCHES						
5	CHG TO REGAL LOGO	SL 09/10/2015	AB					CHK ML 11/21/1990				
4	REVISED IEC NOTATIONS	MSG 11/15/2011	CMN	.X	±.1			APPD SAS 04/24/2003				
3	ADDED IEC NOTATIONS... (U1), (V1) ETC. MU95194	MSG 5/10/2010	MJS	.XX	±.02			SCALE 1=1				
2	ADDED THE OPTIONAL CORD CONNECTION MU46318	RDH 04/24/2003	DRS	.XXX	±.005			REF				
1	REDRAWN	RM 11/20/1990		.XXXX	±.0005			FMF				
					±7'30"			PREV				
THIS DRAWING IN DESIGN AND DETAIL IS OUR PROPERTY AND MUST NOT BE USED EXCEPT IN CONNECTION WITH OUR WORK ALL RIGHTS OF DESIGN AND INVENTION ARE RESERVED THIS IS AN ELECTRONICALLY GENERATED DOCUMENT - DO NOT SCALE THIS PRINT							RFP	CAD FILE ee7308	SIZE A	DRAWING NO. EE7308	PAGE OF 5	REV. 5
							DIST WP					





P.O. BOX 8003
WAUSAU, WI 54401-8003
PH. 715-675-3311

DATA VOLTS: 460

CERTIFICATION DATA SHEET

CUSTOMER P.O. #:
 ORDER #: EE7308
 REFERENCE MODEL #: 56T34F99031
 CONN. DIAGRAM: A-100352-806
 CAT #: KG236A
 OUTLINE: A-100352-806
 CUSTOMER PART #:
 WINDING: ZT2141 R1 1
 MOUNTING: F1 ONLY
 SPEED:
 TYPICAL MOTOR PERFORMANCE DATA

HP	KW	SYNC RPM	FL RPM	FRAME	ENCLOSURE	TYPE	KVA CODE	DESIGN
1.5	1.1	3600	3515	56J	TEFC	TFR	M	B

PH	HZ	VOLTS	AMPS	START TYPE	DUTY	INSL	S.F.	AMB	ELEV.
3	60/50	230/460#190/380	4/2&3.4/1.7	ACROSS-THE LINE	CONT	B	1.15	40	3300
	F.L. EFF	84.0	3/4 LD EFF	84.8	1/2 LD EFF	82.3	GTD EFF		ELECT. TYPE
	F.L. PF	83.5	3/4 LD PF	77.8	1/2 LD PF	67.2	82.5		SQ CAGE IND RUN

F.L. TORQUE	LR AMPS @ 460 V	L.R. TORQUE	B.D. TORQUE	F.L. RISE (°C)
2.20 LB-FT	19.4	7.3 LB-FT	332%	9.6 LB-FT
				436%
				38

@ 3 FT. DBA	POWER	ROTOR WK ²	MAX. LOAD WK ²	SAFE STALL TIME	START/SHOUR	MOTOR WGT
69	78 DBA	0.05 LB-FT ²	3 LB-FT ²	20 SEC.	2	55 LB.

*** SUPPLEMENTAL INFORMATION ***

DE BRACKET TYPE	ODE BRACKET TYPE	MOUNT TYPE	MOTOR ORIENTATION	SEVERE DUTY	HAZARDOUS LOCATION	DRIP COVER	SCREENS	PAINT
C-FACE	STANDARD	ROUND	HORIZONTAL	NO	NONE	NO	NONE	GRAY (POWDER)

BEARINGS	GREASE	SHAFT TYPE	SPECIAL DE	SPECIAL ODE	SHAFT MATERIAL	FRAME MATERIAL
DE BALL 6203	POLYREX EM	JET PUMP	NONE	NONE	416 STAINLESS (C-509)	ROLLED STEEL

THERMOSTATS	PROTECTORS	WDG RTD's	BRG RTD's	THERMISTORS	CONTROL	SPACE HEATERS
NONE	NOT	NONE	NONE	NONE	FALSE	NA

R1 (ohms/ph)	R2 (ohms/ph)	X1 (ohms/ph)	X2 (ohms/ph)	Xm (ohms/ph)	VIBRATION (in/sec)	FLOAT
1.419	0.946	2.318	2.129	79.937	0.150	ODE

N	INVERTER TORQUE: NONE
O	INV. HP SPEED RANGE: NONE
T	
E	ENCODER: NONE
S	NONE
	NONE
	BRAKE: NONE
	NONE
	FT-LB: NA
	VOLTAGE: NONE
	NONE
	NONE
	PPR

PREPARED BY: FAREEDA DUDEKULA
 DATE: 9/17/2018
 UL: V-INS, CONST UL REC
 HZ:

Data Sheet

Date: 9/17/2018

Customer: _____
 Attention: _____

Submitted by: FAREEDA DUDEKULA



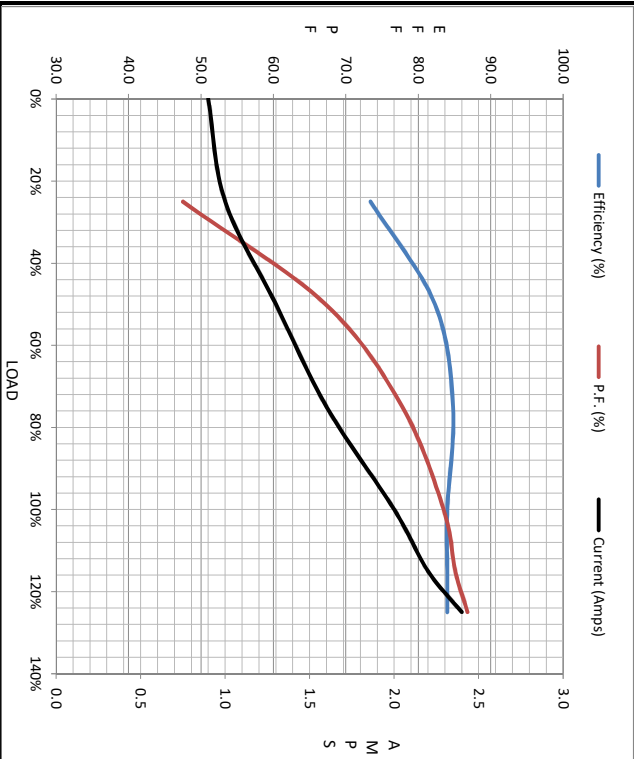
56734F99031

Submital

Data @ 460 V

Motor Load Data									
Load	0%	25%	50%	75%	100%	115%	125%	LR	
Current (Amps)	0.90	1.00	1.30	1.60	2.00	2.40	2.40	19.4	
Torque (ft-lb)	0.00	0.60	1.10	1.70	2.20	2.60	2.80	7.3	
RPM	3600	3575	3555	3535	3515	3,500	3485	0	
Efficiency (%)		73.4	82.3	84.8	84.0	84.0	84.0		
P.F. (%)	17.0	47.5	67.2	77.8	83.5	85.1	86.8	58.0	

Motor Speed Data						Information Block																				
LR	Pull-Up	BD	Rated	Idle		HP	Frame	Enclosure	Construction	Voltage	Frequency	Design	LR Code letter	Service Factor	Temp Rise @ FL	Duty	Ambient	Elevation	Motor/Shaft Wk ²	Ret Wdg	Sound Pressure @ 1M	VFD Rating	Outline Dwg	Com. Diag	Additional Specifications:	
	0	650	2815	3515	3600	1.5	143182TFC080	TEFC	TFR	230/460#190/380	60	A	M	1.15	38	CONT	40 °C	1,000 feet	0.05 Lb-Ft ²	ZT141 R1	69	NONE	A-100352-906	EE7308		
Speed (RPM)	0	650	2815	3515	3600																					
Current (Amps)	19.4	18.6	12.1	2.00	0.90																					
Torque (ft-lb)	7.3	6.1	9.6	2.20	0.00																					



EQUIV CKT (OHMS / PHASE)			
R1	R2	X1	X2
1.4190	0.9460	2.3180	2.1290
			79.9370

