

PRODUCT INFORMATION PACKET

marathon[®]
Motors

Model No: 056T34F99030
Catalog No: K233A
1,3600,TEFC,56C,3/60/230/460
Totally Enclosed Fan Cooled (TEFC)



Regal and Marathon are trademarks of Regal Beloit Corporation or one of its affiliated companies.
©2018 Regal Beloit Corporation, All Rights Reserved. MC017097E

REGAL[®]



Nameplate Specifications

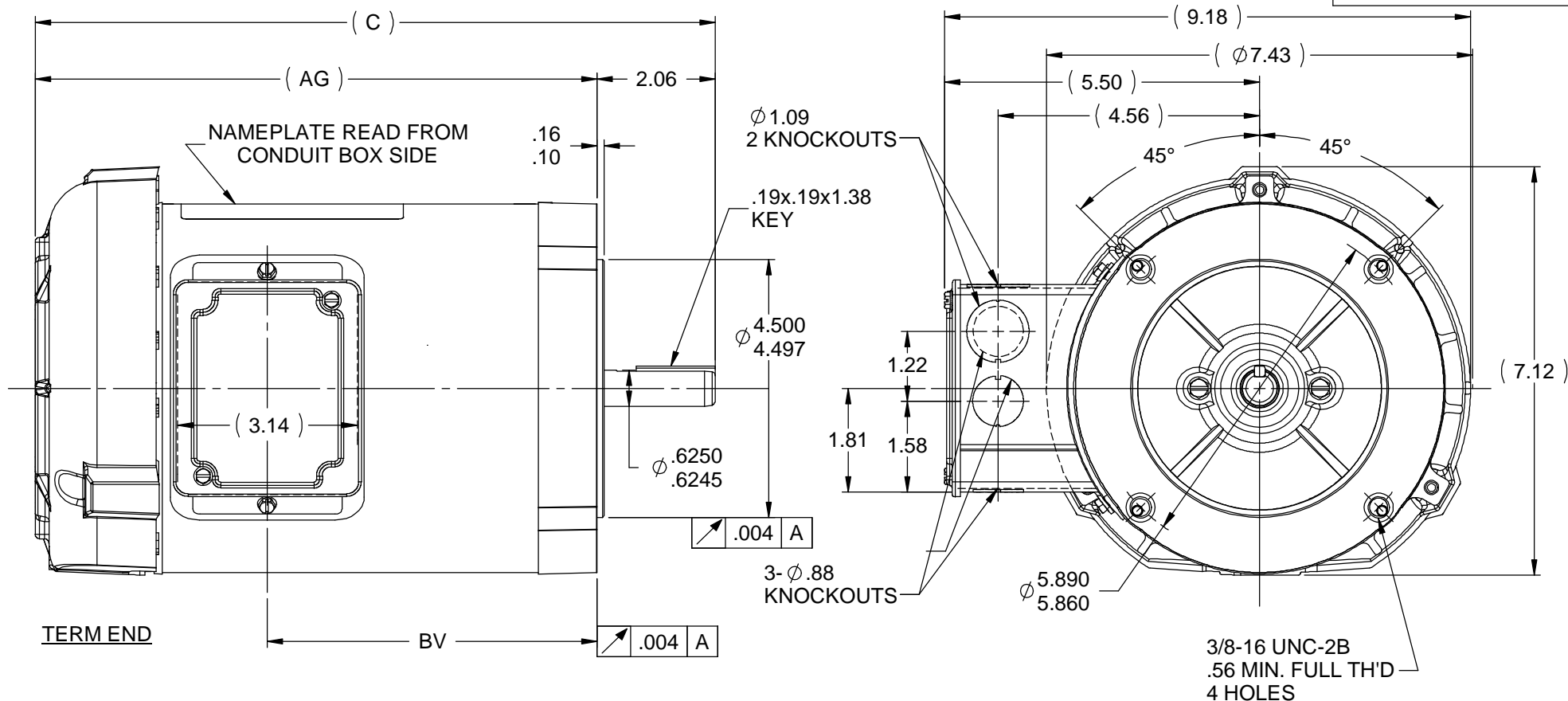
Output HP	1 Hp	Output KW	0.75 kW
Frequency	60 Hz	Voltage	230/460 V
Current	3.0/1.5 A	Speed	3450 rpm
Service Factor	1.4	Phase	3
Efficiency	78.5 %	Duty	Continuous
Insulation Class	B	Design Code	B
KVA Code	J	Frame	56C
Enclosure	Totally Enclosed Fan Cooled	Overload Protector	No
Ambient Temperature	40 °C	Drive End Bearing Size	6203
Opp Drive End Bearing Size	6203	UL	Recognized
CSA	Y	CE	Y
IP Code	43		

Technical Specifications

Electrical Type	Squirrel Cage Induction Run	Starting Method	Across The Line
Poles	2	Rotation	Reversible
Mounting	Round	Motor Orientation	Horizontal
Drive End Bearing	Ball	Opp Drive End Bearing	Ball
Frame Material	Rolled Steel	Shaft Type	NEMA 56
Overall Length	11.82 in	Frame Length	6.56 in
Shaft Diameter	0.625 in	Shaft Extension	2.06 in
Assembly/Box Mounting	F1 Only		
Outline Drawing	A-100103-656	Connection Diagram	EE7308

This is an uncontrolled document once printed or downloaded and is subject to change without notice. Date Created: 06/29/2018

100103



DASH	FRAME	C	AG	BV	DASH	FRAME	C	AG	BV
606	56-60	11.32	9.25	5.31	806	56-60	13.32	11.25	7.31
656	" -65	11.82	9.75	5.81	856	" -65	13.82	11.75	7.81
706	" -70	12.32	10.25	6.31	906	" -70	14.32	12.25	8.31
756	" -75	12.82	10.75	6.81	956	" -75	14.82	12.75	8.81

NOTE:
CONDUIT BOX CAN BE ROTATED 180°

		TOLERANCES UNLESS SPECIFIED		MARATHON ELECTRIC		DRAWN GK 02-10-1988	
		DEC	INCHES			CHK TH 04-20-1993	
		.X	±.1			APPR MJ 04-20-1993	
5	REDRAWN IN SOWDWORKS	TAT 06-02-2005	ML .XX	±.03	TITLE OUTLINE		SCALE 3:8
4	REDRAWN IN AUTOCAD	TAT 06-29-2004	ML .XXX	±.005	56 FR. - TEFC - C' FACE		REF
3	REDRAWN ON CADD	GK 02-10-1988	.XXXX	±.0005	MAT'L		FMF
NO	REVISION	BY & DATE	CHK ANG	±7'30"	FINISH		PREV
THIS DRAWING IN DESIGN AND DETAIL IS OUR PROPERTY AND MUST NOT BE USED EXCEPT IN CONNECTION WITH OUR WORK. ALL RIGHTS OF DESIGN AND INVENTION ARE RESERVED.			RFP		CAD FILE 100103_XX		SIZE A
						DRAWING NO 100103	
						REV 5	



NO.		REVISION		BY & DATE		CHK		ANG		FINISH		PREV									
5	CHG TO REGAL LOGO	SL	09/10/2015	AB																	
4	REVISED IEC NOTATIONS	MSG	11/15/2011	CMN	.X	±.1															
3	ADDED IEC NOTATIONS... (U1), (V1) ETC. MU95194	MSG	5/10/2010	MJS	.XX	±.02															
2	ADDED THE OPTIONAL CORD CONNECTION MU46318	RDH	04/24/2003	DRS	.XXX	±.005															
1	REDRAWN	RM	11/20/1990		.XXXX	±.0005															
THIS DRAWING IN DESIGN AND DETAIL IS OUR PROPERTY AND MUST NOT BE USED EXCEPT IN CONNECTION WITH OUR WORK ALL RIGHTS OF DESIGN AND INVENTION ARE RESERVED THIS IS AN ELECTRONICALLY GENERATED DOCUMENT - DO NOT SCALE THIS PRINT										RFP		CAD FILE ee7308		SIZE A		DRAWING NO. EE7308		PAGE OF 5		REV. 5	
										DIST WP											

REGAL™ Regal Beloit America, Inc.

DRAWN RM 11/20/1990
 CHK ML 11/21/1990
 APPD SAS 04/24/2003
 SCALE 1=1
 REF
 FMF
 PREV

TITLE CONNECTION DIAGRAM
 3Ø - DUAL VOLTAGE MOTOR

CERTIFICATION DATA SHEET

Model#: 56T34F99020 A **WINDING#:** ZT2141 R1 2
CONN. DIAGRAM: EE7300 **ASSEMBLY:** F1 ONLY
OUTLINE: A-100141-806

TYPICAL MOTOR PERFORMANCE DATA

HP	KW	SYNC. RPM	F.L. RPM	FRAME	ENCLOSURE	KVA CODE	DESIGN
1 1/2	1.12	3600	3450	56C	TEFC	M	B

PH	Hz	VOLTS	FL AMPS	START TYPE	DUTY	INSL	S.F	AMB°C	ELEVATION
3	60	575	1.6	ACROSS THE LINE	CONTINUOUS	F3	1.15	40	3300

FULL LOAD EFF: 84	3/4 LOAD EFF: 84.8	1/2 LOAD EFF: 82.3	GTD. EFF	ELEC. TYPE	NO LOAD AMPS
FULL LOAD PF: 83.5	3/4 LOAD PF: 77.8	1/2 LOAD PF: 67.2	82.5	SQ CAGE IND RUN	.7

F.L. TORQUE	LOCKED ROTOR AMPS	L.R. TORQUE	B.D. TORQUE	F.L. RISE°C
2.2 LB-FT	15.5	7.3 LB-FT 332	9.6 LB-FT 435	38

SOUND PRESSURE @ 3 FT.	SOUND POWER	ROTOR WK^2	MAX. WK^2	SAFE STALL TIME	STARTS /HOUR	APPROX. MOTOR WGT
69 dBA	79 dBA	0.045 LB-FT^2	3 LB-FT^2	20 SEC.	2	55 LBS.

***** SUPPLEMENTAL INFORMATION *****

DE BRACKET TYPE	ODE BRACKET TYPE	MOUNT TYPE	ORIENTATION	SEVERE DUTY	HAZARDOUS LOCATION	DRIP COVER	SCREENS	PAINT
C-FACE	BRAKE	BOLT-ON	HORIZONTAL OR UP OR DOWN	FALSE	NONE	PROVISIONS ONLY	NONE	GRAY (POWDER)

BEARINGS		GREASE	SHAFT TYPE	SPECIAL DE	SPECIAL ODE	SHAFT MATERIAL	FRAME MATERIAL
DE	OPE	POLYREX EM	T	NONE	NONE	1144 STRESSPROOF (C-223)	ROLLED STEEL
BALL	BALL						
6203	6203						

THERMO-PROTECTORS				THERMISTORS	CONTROL	SPACE /n HEATERS
THERMOSTATS	PROTECTORS	WDG RTDs	BRG RTDs	NONE	FALSE	NONE VOLTS
NONE	NOT	NONE	NONE			

If Inverter equals NONE, contact factory for further information

INVERTER TORQUE: NONE		
INV. HP SPEED RANGE: NONE		
ENCODER: NONE		
NONE NONE		
NONE NONE PPR		
BRAKE: PROVISIONS FOR KIT	NONE	
NONE P/N	NONE	
NONE NONE	NONE	
NONE FT-LB	NONE V	NONE Hz

*
N
O
T
E
S
*

DATE: 06/28/2017 02:11:47 AM
 FORM 3531 REV.3 02/07/99
 ** Subject to change without notice.