

# PRODUCT INFORMATION PACKET

**marathon**<sup>®</sup>  
Motors

Model No: 056T34F99029  
Catalog No: J063A  
1,3600,TEFC,56J,3/60/230/460  
Jet Pump



Regal and Marathon are trademarks of Regal Beloit Corporation or one of its affiliated companies.  
©2018 Regal Beloit Corporation, All Rights Reserved. MC017097E

**REGAL**<sup>®</sup>



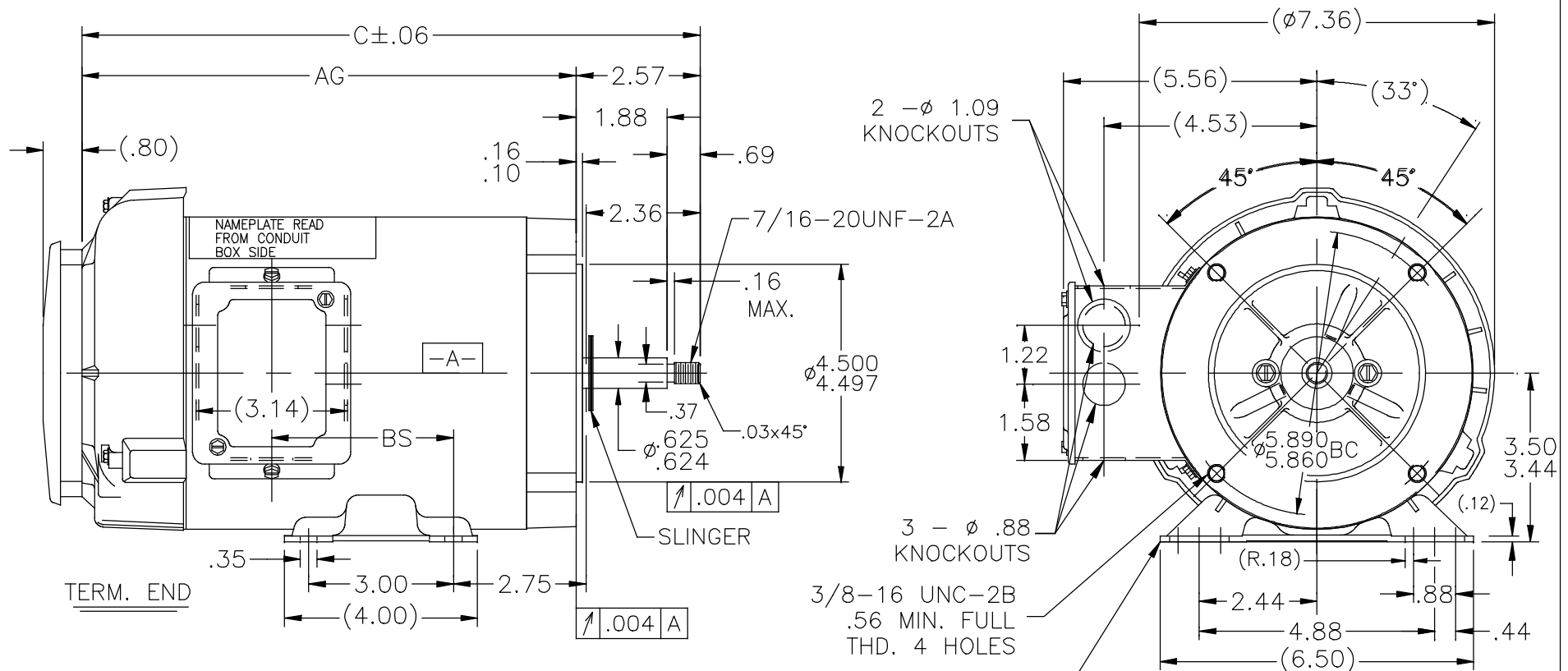
### Nameplate Specifications

Output HP	<b>1 Hp</b>	Output KW	<b>0.75 kW</b>
Frequency	<b>60 Hz</b>	Voltage	<b>230/460 V</b>
Current	<b>3.0/1.5 A</b>	Speed	<b>3450 rpm</b>
Service Factor	<b>1.15</b>	Phase	<b>3</b>
Efficiency	<b>78.5 %</b>	Duty	<b>Continuous</b>
Insulation Class	<b>B</b>	Design Code	<b>B</b>
KVA Code	<b>J</b>	Frame	<b>56J</b>
Enclosure	<b>Totally Enclosed Fan Cooled</b>	Overload Protector	<b>No</b>
Ambient Temperature	<b>40 °C</b>	Drive End Bearing Size	<b>6203</b>
Opp Drive End Bearing Size	<b>6203</b>	UL	<b>Recognized</b>
CSA	<b>Y</b>	CE	<b>Y</b>
IP Code	<b>43</b>		

### Technical Specifications

Electrical Type	<b>Squirrel Cage Induction Run</b>	Starting Method	<b>Across The Line</b>
Poles	<b>2</b>	Rotation	<b>Reversible</b>
Mounting	<b>Rigid base</b>	Motor Orientation	<b>Horizontal</b>
Drive End Bearing	<b>Ball</b>	Opp Drive End Bearing	<b>Ball</b>
Frame Material	<b>Rolled Steel</b>	Shaft Type	<b>J</b>
Overall Length	<b>12.32 in</b>	Frame Length	<b>6.56 in</b>
Shaft Diameter	<b>0.625 in</b>	Shaft Extension	<b>2.57 in</b>
Assembly/Box Mounting	<b>F1 Only</b>		
Outline Drawing	<b>A-100771-656</b>	Connection Diagram	<b>EE7308</b>

This is an uncontrolled document once printed or downloaded and is subject to change without notice. Date Created: 06/29/2018



TERM. END

2 -  $\phi$  1.09  
KNOCKOUTS

3 -  $\phi$  .88  
KNOCKOUTS

3/8-16 UNC-2B  
.56 MIN. FULL  
THD. 4 HOLES

REMOVABLE BASE

NOTES: CONDUIT BOX CAN BE ROT. 180°

DASH	C	AG	BS
606	11.82	9.25	2.78
656	12.32	9.75	3.28
706	12.82	10.25	3.78
806	13.82	11.25	4.78

DRAWING REVISION F	REVISION BY SRK	DATE 04/05/2016
ECO ECO-0099775	APPROVED BY PVR	DATE 04/05/2016

ECO DESCRIPTION  
ADDED DASH #806

COPYRIGHT REGAL BELOIT AMERICA, INC. ALL RIGHTS RESERVED.  
PROPRIETARY AND CONFIDENTIAL INFORMATION - THIS DOCUMENT IS THE PROPERTY OF  
REGAL BELOIT AMERICA, INC. ("OWNER") AND CONTAINS OWNER'S PROPRIETARY  
INFORMATION. ANY PERSON, CORPORATION OR OTHER FIRM RECEIVING IT IS DEEMED  
BY RECEIVING IT, TO AGREE THAT IT, AND/OR ANY PART OF IT, SHALL NOT BE DISCLOSED  
TO ANY PERSON, CORPORATION OR OTHER ENTITY, DUPLICATED, AND/OR USED, EXCEPT  
AS EXPRESSLY APPROVED IN WRITING IN ADVANCE BY OWNER. THIS DOCUMENT SHALL  
BE RETURNED TO OWNER UPON REQUEST. IT MAY BE SUBJECT TO CERTAIN  
RESTRICTIONS UNDER APPLICABLE EXPORT CONTROL LAWS AND REGULATIONS.

TOLERANCES UNLESS OTHERWISE SPECIFIED			
DEC.	INCH	mm	ANGLE
.X	±0.1	[±2.5]	±0.5°
.XX	±0.02	[±0.51]	
.XXX	±0.005	[±0.127]	
.XXXX	±0.0005	[±0.0127]	
REMOVE BURRS & BREAK SHARP EDGES .003/.015 [0.076/.381]			
CORNER FILLETS .02 [.51]			
MACHINED SURFACES $\sqrt{125}$ INCH $\sqrt{3.2}$ mm			
mm SHOWN IN [BRACKETS]			

DRAWN BY: DJK
DATE: 06/28/1993

APPROVED BY: MJ
DATE: 06/29/1993

REFERENCE	THIRD ANGLE PROJECTION
-----------	------------------------

**REGAL**™ Regal Beloit America, Inc.

DESCRIPTION	OUTLINE
	56 FR.-BB-TEFC-C' FACE-3 PHASE-(DIST.)
MATERIAL	PROCESS/FINISH
SIZE DWG NO	SHEET
A 100771	1



